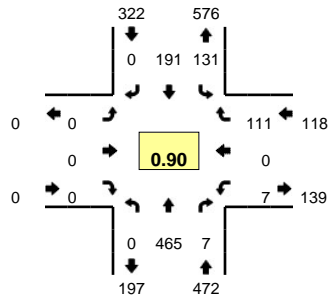
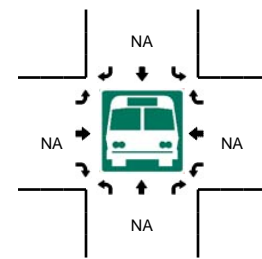
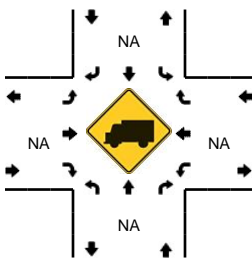
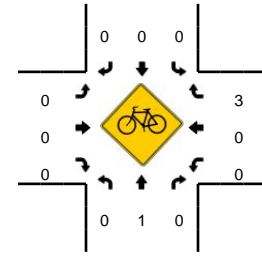
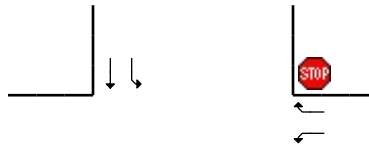
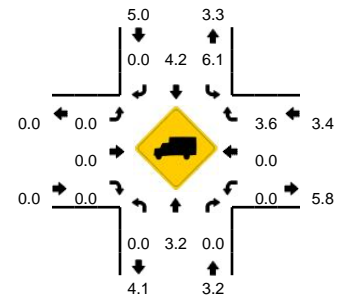


**LOCATION:** NW Lakeshore Ave -- NW Bernie Dr  
**CITY/STATE:** Vancouver, WA

**QC JOB #:** 14671704  
**DATE:** Tue, Apr 10 2018



**Peak-Hour: 4:25 PM -- 5:25 PM**  
**Peak 15-Min: 5:05 PM -- 5:20 PM**



5-Min Count Period Beginning At	NW Lakeshore Ave (Northbound)				NW Lakeshore Ave (Southbound)				NW Bernie Dr (Eastbound)				NW Bernie Dr (Westbound)				Total	Hourly Totals	
	Left	Thru	Right	U	Left	Thru	Right	U	Left	Thru	Right	U	Left	Thru	Right	U			
4:00 PM	0	30	2	1	6	15	0	0	0	0	0	0	0	0	0	9	0	63	
4:05 PM	0	37	1	0	11	13	0	0	0	0	0	0	0	0	0	8	0	70	
4:10 PM	0	38	1	0	7	18	0	0	0	0	0	0	0	1	0	5	0	70	
4:15 PM	0	32	0	0	14	20	0	0	0	0	0	0	0	0	0	7	0	73	
4:20 PM	0	43	0	0	9	16	0	0	0	0	0	0	0	1	0	4	0	73	
4:25 PM	0	39	0	0	7	13	0	0	0	0	0	0	0	0	0	7	0	66	
4:30 PM	0	35	0	0	12	15	0	0	0	0	0	0	0	0	0	6	0	68	
4:35 PM	0	35	1	0	12	17	0	0	0	0	0	0	0	1	0	10	0	76	
4:40 PM	0	41	0	0	7	14	0	0	0	0	0	0	0	1	0	10	0	73	
4:45 PM	0	36	0	0	10	16	0	0	0	0	0	0	0	0	0	9	0	71	
4:50 PM	0	37	1	0	9	20	0	0	0	0	0	0	0	1	0	18	0	86	
4:55 PM	0	31	1	0	13	12	0	0	0	0	0	0	0	0	0	13	0	70	859
5:00 PM	0	32	0	0	15	19	0	0	0	0	0	0	0	1	0	6	0	73	869
5:05 PM	0	40	2	0	12	12	0	0	0	0	0	0	0	2	0	8	0	76	875
5:10 PM	0	46	1	0	16	24	0	0	0	0	0	0	0	0	0	10	1	98	903
5:15 PM	0	45	0	0	11	16	0	0	0	0	0	0	0	0	0	7	0	79	909
5:20 PM	0	48	1	0	7	13	0	0	0	0	0	0	0	0	0	7	0	76	912
5:25 PM	0	27	0	0	5	12	0	0	0	0	0	0	0	1	0	13	0	58	904
5:30 PM	0	26	0	0	6	16	0	0	0	0	0	0	0	0	0	6	0	54	890
5:35 PM	0	24	1	0	11	14	0	0	0	0	0	0	0	0	0	16	0	66	880
5:40 PM	0	21	0	0	8	19	0	0	0	0	0	0	0	0	0	9	0	57	864
5:45 PM	0	26	1	0	10	20	0	0	0	0	0	0	0	0	0	5	0	62	855
5:50 PM	0	16	0	0	6	20	0	0	0	0	0	0	0	0	0	5	0	47	816
5:55 PM	0	24	0	0	4	12	0	0	0	0	0	0	0	1	0	9	0	50	796
Peak 15-Min Flowrates	Northbound				Southbound				Eastbound				Westbound				Total		
	Left	Thru	Right	U	Left	Thru	Right	U	Left	Thru	Right	U	Left	Thru	Right	U			
All Vehicles	0	524	12	0	156	208	0	0	0	0	0	0	8	0	100	4	1012		
Heavy Trucks	0	12	0		4	12	0		0	0	0		0	0	4		32		
Pedestrians		0				0			0	0	0		0	0	0		0		
Bicycles	0	1	0		0	0	0		0	0	0		0	0	0		1		
Railroad																			
Stopped Buses																			

Comments: