



RU

Interval 60 min. 15 min.
 Binned(CL/SP) Count(volume)
Lane No 1 2

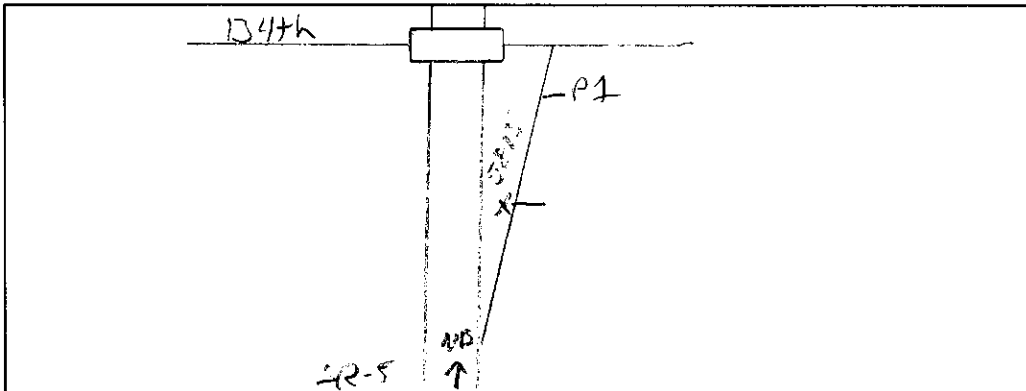
Direction Channel 1 _____
Direction Channel 2 _____
Data Hog # _____

Counter No. 035875 Count ID SP#10-001
SR 5 RRT/RRQ P1 00685 MP 0.00
Leg 2 Direction NB OSID _____

Station Description _ ON SR-5 NB off ramp to NE 134th st

Date	Day	Time	Comments
1/11/10	2	11:06	Manual (1) <u>1</u> (2) _____ Counter (1) <u>1</u> (2) _____ Set up ok JDM/DB 6.3v
1/12/10	3	8:52	Manual (1) <u>50</u> (2) _____ Counter (1) <u>50</u> (2) _____ Check ok JDM/DB 6.3v
1/13/10	4	8:33	Manual (1) <u>50</u> (2) _____ Counter (1) <u>50</u> (2) _____ Check ok JDM/DB 6.2v
1/14/10	5	<u>12:04</u>	Manual (1) <u>50</u> (2) _____ Counter (1) <u>50</u> (2) _____ Check ok JDM/DB <u>6.3v</u>
1/15/10	6	<u>8:25</u>	Manual (1) <u>1</u> (2) _____ Counter (1) <u>1</u> (2) _____ P/U ok JDM/DB <u>6.2v</u>

Sketch



JDM/DB
Field Person

15 MINUTE TRAFFIC COUNT SUMMARY

SR 005 P100685 MP 000.00 OFF SYSTEM ID. LEG 2 DIRECTION OF TRAFFIC NORTHBOUND LANE ALL OF

COUNT IDENTIFIER 10-001 COUNTER NUMBER 035875 DESCRIPTION: ON SR 5 NB OFF RAMP TO NE 134TH ST

01/11/10 MONDAY	AM HOURS												PM HOURS												DAILY TOTAL
	12	1	2	3	4	5	6	7	8	9	10	11	12	1	2	3	4	5	6	7	8	9	10	11	
	1	2	3	4	5	6	7	8	9	10	11	12	1	2	3	4	5	6	7	8	9	10	11	12	
TOT	63	50	55	22	24	87	344	655	718	621	660	730	805	831	907	1105	1166	1252	799	589	518	332	316	118	12767
	AM PEAK HOUR 0000 TO 0000 VOLUME 0												PM PEAK HOUR 0445 TO 0545 VOLUME 1310												
	AM TOTAL 586												PM TOTAL 8752												

01/12/10 TUESDAY	AM HOURS												PM HOURS												DAILY TOTAL
	12	1	2	3	4	5	6	7	8	9	10	11	12	1	2	3	4	5	6	7	8	9	10	11	
	1	2	3	4	5	6	7	8	9	10	11	12	1	2	3	4	5	6	7	8	9	10	11	12	
TOT	63	41	43	31	28	74	351	666	707	633	689	748	767	871	944	1079	1065	1220	872	568	504	427	198	106	12695
	AM PEAK HOUR 1100 TO 1200 VOLUME 748												PM PEAK HOUR 0500 TO 0600 VOLUME 1220												
	AM TOTAL 4074												PM TOTAL 8621												

01/13/10 WEDNESDAY	AM HOURS												PM HOURS												DAILY TOTAL
	12	1	2	3	4	5	6	7	8	9	10	11	12	1	2	3	4	5	6	7	8	9	10	11	
	1	2	3	4	5	6	7	8	9	10	11	12	1	2	3	4	5	6	7	8	9	10	11	12	
TOT	63	50	55	22	24	87	344	655	718	621	660	730	805	831	907	1105	1166	1252	799	589	518	332	316	118	12767
	AM PEAK HOUR 0815 TO 0915 VOLUME 767												PM PEAK HOUR 0445 TO 0545 VOLUME 1299												
	AM TOTAL 4029												PM TOTAL 8738												

SR 005 P100685 MP 000.00 OFF SYSTEM ID. LEG 2 DIRECTION OF TRAFFIC NORTHBOUND LANE ALL OF

COUNT IDENTIFIER 10-001 COUNTER NUMBER 035875 DESCRIPTION: ON SR 5 NB OFF RAMP TO NE 134TH ST

01/14/10 THURSDAY	AM HOURS												PM HOURS												DAILY TOTAL
	1	2	3	4	5	6	7	8	9	10	11	12	1	2	3	4	5	6	7	8	9	10	11	12	
12	1	2	3	4	5	6	7	8	9	10	11	12	1	2	3	4	5	6	7	8	9	10	11	12	1400
1	2	3	4	5	6	7	8	9	10	11	12	1	2	3	4	5	6	7	8	9	10	11	12	1400	
00-15	23	11	14	11	3	12	44	133	161	173	198	165	207	221	241	302	295	303	250	164	164	118	66	30	
15-30	15	17	14	8	12	11	82	174	175	135	171	193	178	208	235	305	314	312	241	165	168	84	53	27	
30-45	12	7	7	7	7	18	85	145	183	149	154	168	185	202	242	275	296	291	193	128	129	104	46	24	
45-00	21	13	10	8	15	38	142	185	178	151	161	181	180	254	240	301	313	264	195	122	142	80	32	29	
TOT	71	48	45	34	37	79	353	637	697	608	684	707	750	885	958	1183	1218	1170	879	579	603	386	197	110	

AM PEAK HOUR 0815 TO 0915 VOLUME 709
 PM PEAK HOUR 0415 TO 0515 VOLUME 1226

01/15/10 FRIDAY	AM HOURS												PM HOURS												DAILY TOTAL
	1	2	3	4	5	6	7	8	9	10	11	12	1	2	3	4	5	6	7	8	9	10	11	12	
12	1	2	3	4	5	6	7	8	9	10	11	12	1	2	3	4	5	6	7	8	9	10	11	12	1400
1	2	3	4	5	6	7	8	9	10	11	12	1	2	3	4	5	6	7	8	9	10	11	12	1400	
00-15	16	13	17	5	8	14	42	146	146																
15-30	26	15	13	8	10	19	61	173																	
30-45	19	9	14	9	7	14	67	132																	
45-00	12	8	9	3	12	33	146	174																	
TOT	73	45	53	25	37	80	316	625	146																

AM PEAK HOUR 0700 TO 0800 VOLUME 625
 PM PEAK HOUR 0000 TO 0000 VOLUME 0

01/11/10 THRU 01/15/10 TOTAL HOURS FOR COUNT 92
 3 DAYS FACTOR GROUP P55
 AVG WEEKDAY VOL 12793 X SEASONAL ADJ. FACTOR 1.0000 = 12793 X AXLE CORR FACTOR 0.9095 = ESTIMATED AVG DAILY TRAFFIC 11635
 PEAK HOUR PERCENTAGES: K = 10.24 D = 100.00
 PEAK HOUR LOCATION : VOLUME = 1310 DATE: 01/11/10 TIME: 04:45 PM



Ru

Interval 60 min. 15 min.
 Binned(CL/SP) Count(volume)
Lane No 1 2

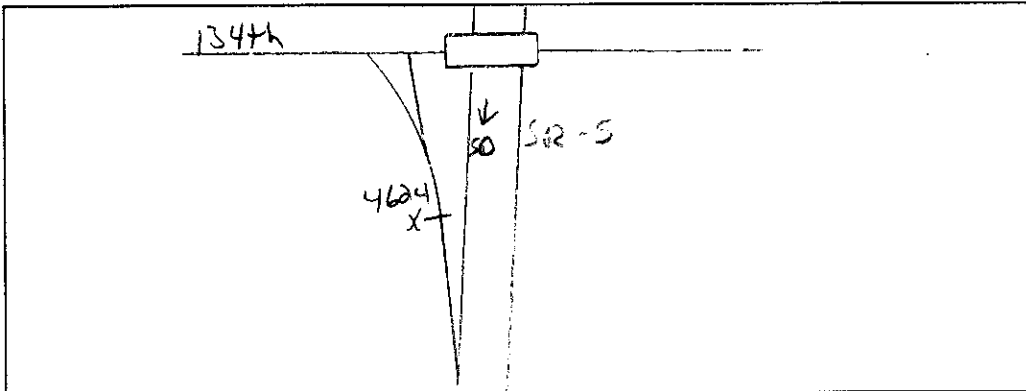
Direction Channel 1 _____
Direction Channel 2 _____
Data Hog # _____

Counter No. 034624 Count ID SP#10-001
SR 5 RRT/RRQ S1 00703 MP 0.01
Leg 2 Direction SB OSID _____

Station Description _ ON SR-5 SB on ramp from NE 134th st

Date	Day	Time	Comments
1/11/10	2	11:23	Manual (1) <u>1</u> (2) _____ Set up ok JDM/DB 6.4v Counter (1) <u>1</u> (2) _____
1/12/10	3	9:11	Manual (1) <u>50</u> (2) _____ Check ok JDM/DB 6.4v Counter (1) <u>50</u> (2) _____
1/13/10	4	8:59	Manual (1) <u>41</u> (2) _____ Check ok JDM/DB 6.4v Counter (1) <u>41</u> (2) _____
1/14/10	5	10:45	Manual (1) <u>50</u> (2) _____ Check ok JDM/DB 6.6v Counter (1) <u>50</u> (2) _____
1/15/10	6	8:38	Manual (1) <u>1</u> (2) _____ P/U ok JDM/DB 6.4 Counter (1) <u>1</u> (2) _____

Sketch



JDM/DB
Field Person

SR 005 S100703 MP 000.01 OFF SYSTEM ID. LEG 2 DIRECTION OF TRAFFIC SOUTHBOUND LANE ALL OF
 COUNT IDENTIFIER 10-001 COUNTER NUMBER 034624 DESCRIPTION: ON SR 5 SB ON RAMP FROM NE 134TH ST

01/11/10 MONDAY	AM HOURS												PM HOURS												DAILY TOTAL
	1	2	3	4	5	6	7	8	9	10	11	12	1	2	3	4	5	6	7	8	9	10	11	12	
00-15																									
15-30	12	1	2	3	4	5	6	7	8	9	10	11	12	1	2	3	4	5	6	7	8	9	10	11	12
30-45	1																								
45-00																									
HOUR	403												780												403
TOT	780												749												780

AM PEAK HOUR 0000 TO 0000 VOLUME 0
 AM TOTAL 403
 PM PEAK HOUR 0330 TO 0430 VOLUME 953
 PM TOTAL 6831

01/12/10 TUESDAY	AM HOURS												PM HOURS												DAILY TOTAL
	1	2	3	4	5	6	7	8	9	10	11	12	1	2	3	4	5	6	7	8	9	10	11	12	
00-15																									
15-30	12	1	2	3	4	5	6	7	8	9	10	11	12	1	2	3	4	5	6	7	8	9	10	11	12
30-45	1																								
45-00																									
HOUR	403												780												403
TOT	722												907												722

AM PEAK HOUR 0715 TO 0815 VOLUME 1069
 AM TOTAL 5280
 PM PEAK HOUR 0445 TO 0545 VOLUME 934
 PM TOTAL 6823

01/13/10 WEDNESDAY	AM HOURS												PM HOURS												DAILY TOTAL
	1	2	3	4	5	6	7	8	9	10	11	12	1	2	3	4	5	6	7	8	9	10	11	12	
00-15																									
15-30	12	1	2	3	4	5	6	7	8	9	10	11	12	1	2	3	4	5	6	7	8	9	10	11	12
30-45	1																								
45-00																									
HOUR	403												780												403
TOT	752												887												752

AM PEAK HOUR 0715 TO 0815 VOLUME 1078
 AM TOTAL 5324
 PM PEAK HOUR 0445 TO 0545 VOLUME 922
 PM TOTAL 6869

SR 005 S100703 MP 000.01 OFF SYSTEM ID. LEG 2 DIRECTION OF TRAFFIC SOUTHBOUND LANE ALL OF

COUNT IDENTIFIER 10-001 COUNTER NUMBER 034624 DESCRIPTION: ON SR 5 SB ON RAMP FROM NE 134TH ST

01/14/10 THURSDAY	AM HOURS												PM HOURS												DAILY TOTAL	
	1	2	3	4	5	6	7	8	9	10	11	12	1	2	3	4	5	6	7	8	9	10	11	12		
12	1	2	3	4	5	6	7	8	9	10	11	12	1	2	3	4	5	6	7	8	9	10	11	12	12379	
52	39	52	34	75	282	630	1071	952	763	706	739	784	781	889	863	932	884	631	388	360	234	158	80	12379		
AM PEAK HOUR 0700 TO 0800 VOLUME 1071													PM PEAK HOUR 0430 TO 0530 VOLUME 974													AM TOTAL 5395
PM PEAK HOUR 0000 TO 0000 VOLUME 0																										PM TOTAL 6984

01/15/10 FRIDAY	AM HOURS												PM HOURS												DAILY TOTAL	
	1	2	3	4	5	6	7	8	9	10	11	12	1	2	3	4	5	6	7	8	9	10	11	12		
12	1	2	3	4	5	6	7	8	9	10	11	12	1	2	3	4	5	6	7	8	9	10	11	12	2485	
44	25	47	39	74	269	576	978	433																	2485	
AM PEAK HOUR 0700 TO 0800 VOLUME 978													PM PEAK HOUR 0000 TO 0000 VOLUME 0													AM TOTAL 2485
PM PEAK HOUR 0000 TO 0000 VOLUME 0																										PM TOTAL 0

01/11/10 THRU 01/15/10
 TOTAL HOURS FOR COUNT 92

3 DAYS
 AVG WEEKDAY VOL 12225 X SEASONAL ADJ. FACTOR 1.0000 = 12225 X AXLE CORR FACTOR 0.9095 = ESTIMATED AVG DAILY TRAFFIC 11119
 PEAK HOUR PERCENTAGES: K = 8.82 D = 100.00
 PEAK HOUR LOCATION : VOLUME = 1078 DATE: 01/13/10 TIME: 07:15 AM



RU

Interval 60 min. 15 min.
 Binned(CL/SP) Count(volume)
Lane No 1 2

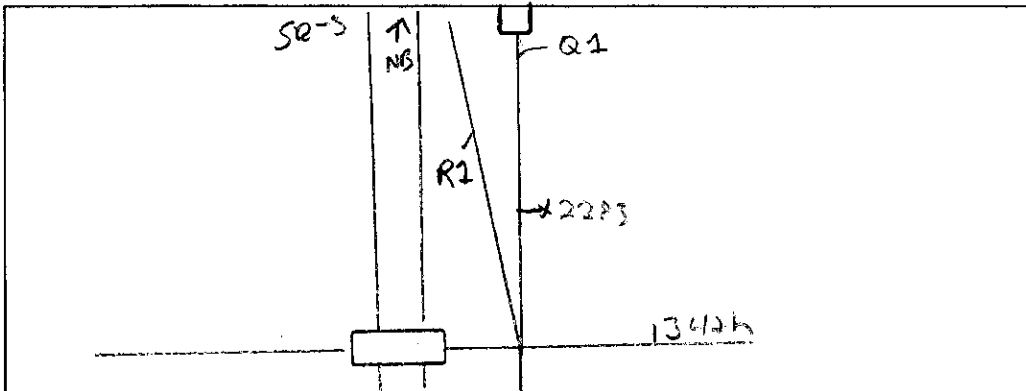
Direction Channel 1 _____
Direction Channel 2 _____
Data Hog # _____

Counter No. 032283 Count ID SP#10-001
SR 5 RRT/RRQ Q1 00823 MP 0.00
Leg 2 Direction NB OSID _____

Station Description ON SR-5 NB on ramp from NE 134th st

Date	Day	Time	Comments
1/11/10	2	11:32	Manual (1) <u>1</u> (2) _____ Counter (1) <u>1</u> (2) _____ Set up ok JDM/DB 6.4v
1/12/10	3	10:38	Manual (1) <u>18</u> (2) _____ Counter (1) <u>18</u> (2) _____ Check ok JDM/DB 6.4v
1/13/10	4	10:06	Manual (1) <u>8</u> (2) _____ Counter (1) <u>8</u> (2) _____ Check ok JDM/DB 6.5v
1/14/10	5	<u>12:10</u>	Manual (1) <u>35</u> (2) _____ Counter (1) <u>35</u> (2) _____ Check ok JDM/DB 6.5v
1/15/10	6	<u>9:13</u>	Manual (1) <u>1</u> (2) _____ Counter (1) <u>1</u> (2) _____ P/U ok JDM/DB 6.4

Sketch



JDM/DB
Field Person

SR 005 Q100823 MP 000.00 OFF SYSTEM ID. LEG 2 DIRECTION OF TRAFFIC NORTHBOUND LANE ALL OF

COUNT IDENTIFIER 10-001 COUNTER NUMBER 032283 DESCRIPTION: ON SR 5 NB ON RAMP FROM NE 134TH ST

COUNT	01/11/10 MONDAY												DAILY TOTAL		
	12	1	2	3	4	5	6	7	8	9	10	11			
00-15															
15-30	12	1	2	3	4	5	6	7	8	9	10	11	12		
30-45	1														
45-00															
HOUR															
TOT															

AM PEAK HOUR 0000 TO 0000 VOLUME 0 AM TOTAL 82
 PM PEAK HOUR 0445 TO 0545 VOLUME 509 PM TOTAL 3604

COUNT	01/12/10 TUESDAY												DAILY TOTAL		
	12	1	2	3	4	5	6	7	8	9	10	11			
00-15															
15-30	12	1	2	3	4	5	6	7	8	9	10	11	12		
30-45	1														
45-00															
HOUR															
TOT															

AM PEAK HOUR 1100 TO 1200 VOLUME 279 AM TOTAL 1508
 PM PEAK HOUR 0415 TO 0515 VOLUME 530 PM TOTAL 3605

COUNT	01/13/10 WEDNESDAY												DAILY TOTAL		
	12	1	2	3	4	5	6	7	8	9	10	11			
00-15															
15-30	12	1	2	3	4	5	6	7	8	9	10	11	12		
30-45	1														
45-00															
HOUR															
TOT															

AM PEAK HOUR 0715 TO 0815 VOLUME 278 AM TOTAL 1457
 PM PEAK HOUR 0500 TO 0600 VOLUME 517 PM TOTAL 3584

SR 005 Q100823 MP 000.00 OFF SYSTEM ID. LEG 2 DIRECTION OF TRAFFIC NORTHBOUND LANE ALL OF
 COUNT IDENTIFIER 10-001 COUNTER NUMBER 032283 DESCRIPTION: ON SR 5 NB ON RAMP FROM NE 134TH ST

01/14/10 THURSDAY	AM HOURS	PM HOURS	DAILY TOTAL
12	1 2 3 4 5 6 7 8 9 10 11 12	1 2 3 4 5 6 7 8 9 10 11 12	11
1	1 2 3 4 5 6 7 8 9 10 11 12	1 2 3 4 5 6 7 8 9 10 11 12	12
00-15	8 4 3 3 5 11 28 63 42 67 69 59 114 72 75 93 135 145 103 82 64 50 30 30 10	5 11 28 63 42 67 69 59 114 72 75 93 135 145 103 82 64 50 30 30 10	10
15-30	3 4 7 6 10 13 29 70 48 56 49 70 96 85 102 83 116 132 117 61 55 37 30 25	4 7 10 13 29 70 48 56 49 70 96 85 102 83 116 132 117 61 55 37 30 25	16
30-45	6 4 3 4 5 20 51 70 45 68 58 87 94 74 92 102 139 114 92 65 44 34 24 16	5 20 51 70 45 68 58 87 94 74 92 102 139 114 92 65 44 34 24 16	11
45-00	5 3 2 2 6 12 19 50 63 67 66 80 85 78 81 122 111 129 90 34 53 22 18 11	6 12 19 50 63 67 66 80 85 78 81 122 111 129 90 34 53 22 18 11	11
HOUR	22 12 15 19 32 63 158 272 198 258 242 296 389 309 350 400 501 520 402 242 216 143 102 62	19 64 149 215 194	5223
TOT	AM PEAK HOUR 1100 TO 1200 VOLUME 296	PM PEAK HOUR 0430 TO 0530 VOLUME 527	AM TOTAL 1587

01/15/10 FRIDAY	AM HOURS	PM HOURS	DAILY TOTAL
12	1 2 3 4 5 6 7 8 9 10 11 12	1 2 3 4 5 6 7 8 9 10 11 12	11
1	1 2 3 4 5 6 7 8 9 10 11 12	1 2 3 4 5 6 7 8 9 10 11 12	12
00-15	8 7 2 1 5 11 25 48 42 42 49 59 96 85 102 83 116 132 117 61 55 37 30 25	5 11 25 48 42 42 49 59 96 85 102 83 116 132 117 61 55 37 30 25	10
15-30	5 5 1 1 4 5 13 33 59 43 53 53 53 53 53 53 53 53 53 53 53 53 53 53	4 5 13 33 59 43 53 53 53 53 53 53 53 53 53 53 53 53 53 53 53 53 53 53 53	16
30-45	6 1 1 2 4 4 23 48 63 53 53 53 53 53 53 53 53 53 53 53 53 53 53 53	1 1 2 4 4 23 48 63 53 53 53 53 53 53 53 53 53 53 53 53 53 53 53 53 53 53	11
45-00	3 2 4 4 5 17 43 45 56 56 56 56 56 56 56 56 56 56 56 56 56 56 56 56	4 4 5 17 43 45 56 56 56 56 56 56 56 56 56 56 56 56 56 56 56 56 56 56 56	11
HOUR	22 15 5 10 19 64 149 215 194	194	693
TOT	AM PEAK HOUR 0700 TO 0800 VOLUME 215	PM PEAK HOUR 0000 TO 0000 VOLUME 0	AM TOTAL 693

01/11/10 THRU 01/15/10 TOTAL HOURS FOR COUNT 93
 3 DAYS FACTOR GROUP R051
 AVG WEEKDAY VOL 5126 X SEASONAL ADJ. FACTOR 0.9900 = 5075 X AXLE CORR FACTOR 0.9226 = ESTIMATED AVG DAILY TRAFFIC 4682
 PEAK HOUR PERCENTAGES: K = 10.34 D = 100.00
 PEAK HOUR LOCATION : VOLUME = 530 DATE: 01/12/10 TIME: 04:15 PM

Ru

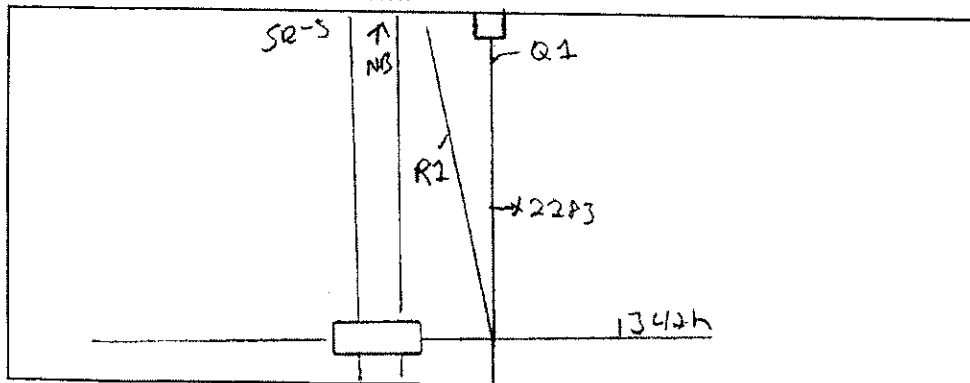
Interval 60 min. 15 min.
 Binned(CL/SP) Count(volume)
Lane No 1 2
Direction Channel 1 LANE 1 OF 2
Direction Channel 2 _____
Data Hog # _____

Counter No. 032283 Count ID SP#10-001
SR .5 RRT/RRQ Q1 00823 MP 0.35
Leg 2 Direction NB OSID _____

Station Description _ON SR-5 NB on ramp from NE 134th st / SR 205 NB

Date	Day	Time	Comments
1/11/10	2	11:32	Manual (1) <u>1</u> (2) _____ Set up ok JDM/DB 6.4v Counter (1) <u>1</u> (2) _____
1/12/10	3	10:38	Manual (1) <u>18</u> (2) _____ Check ok JDM/DB 6.4v Counter (1) <u>18</u> (2) _____
1/13/10	4	10:06	Manual (1) <u>8</u> (2) _____ Check ok JDM/DB 6.5v Counter (1) <u>8</u> (2) _____
1/14/10	5	12:10	Manual (1) <u>35</u> (2) _____ Check ok JDM/DB 6.5v Counter (1) <u>35</u> (2) _____
1/15/10	6	9:13	Manual (1) <u>1</u> (2) _____ P/U ok JDM/DB 6.4 Counter (1) <u>1</u> (2) _____

Sketch



JDM/DB
Field Person



RU

Interval 60 min. 15 min.
 Binned(CL/SP) Count(volume)
Lane No 1 2

Direction Channel 1 LANE 2 OF 2
Direction Channel 2 _____
Data Hog # _____

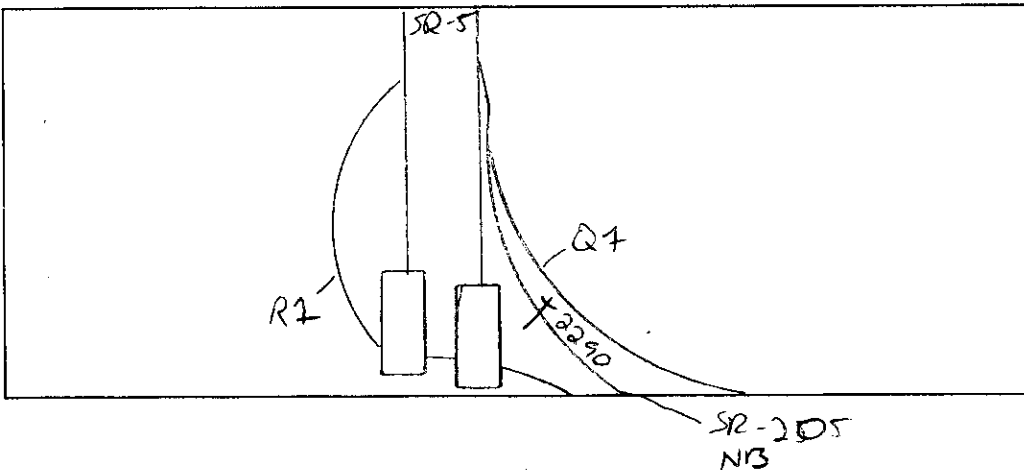
Counter No. 032290 Count ID SP#10-001
SR 5 ~~205~~ RRT/RRQ Q1 00823 MP 0.35 ~~37.16~~
Leg 2 Direction NB OSID _____

Station Description ON SR 205 S/O SR 5 NB on ramp

ON SR 5 NB ON RAMP FROM NE 134TH ST / SR 205 NB

Date	Day	Time	Comments
1/11/10	2	12:13	Manual (1) <u>1</u> (2) _____ Counter (1) <u>1</u> (2) _____ Set up ok JDM/DB 6.5v
1/12/10	3	10:45	Manual (1) <u>49</u> (2) _____ Counter (1) <u>50</u> (2) _____ Check ok JDM/DB 6.5v DC=1
1/13/10	4	10:11	Manual (1) <u>50</u> (2) _____ Counter (1) <u>50</u> (2) _____ Check ok JDM/DB 6.5v
1/14/10	5	12:15	Manual (1) <u>50</u> (2) _____ Counter (1) <u>50</u> (2) _____ Check ok JDM/DB 6.5v
1/15/10	6	9:20	Manual (1) <u>1</u> (2) _____ Counter (1) <u>1</u> (2) _____ P/U ok JDM/DB 6.5v

Sketch



JDM/DB
Field Person

DOT-RN8515A-B

STATE OF WASHINGTON - DEPARTMENT OF TRANSPORTATION
TRIP SYSTEM
15 MINUTE TRAFFIC COUNT SUMMARY

DATE 01/29/10
TIME 05:48:14
PAGE 142

SR 005 0100823 MP 000.35 OFF SYSTEM ID. LEG 2 DIRECTION OF TRAFFIC NORTHBOUND LANE 1 OF 2

COUNT IDENTIFIER 10-001 COUNTER NUMBER 032283 DESCRIPTION: ON SR 5 NB ON RAMP FROM NE 134TH ST/SR 205 NB

HOUR	AM HOURS												PM HOURS												DAILY TOTAL
	1	2	3	4	5	6	7	8	9	10	11	12	1	2	3	4	5	6	7	8	9	10	11	12	
00-15	1	2	3	4	5	6	7	8	9	10	11	12	1	2	3	4	5	6	7	8	9	10	11	12	1587
15-30	3	4	7	6	10	13	29	70	48	56	67	69	72	75	93	135	145	103	82	64	50	30	30	10	1587
30-45	6	1	3	4	5	20	51	70	45	68	58	87	94	96	83	116	132	117	61	55	37	30	25	3636	
45-00	5	3	2	6	12	19	50	69	63	67	66	80	85	78	81	122	111	129	90	34	53	22	18	62	
TOT	22	12	15	19	32	63	158	272	198	258	242	296	389	309	350	400	501	520	402	242	216	143	102	5223	

AM PEAK HOUR 1100 TO 1200 VOLUME 296
PM PEAK HOUR 0430 TO 0530 VOLUME 527

AM TOTAL 1587
PM TOTAL 3636

HOUR	AM HOURS												PM HOURS												DAILY TOTAL
	1	2	3	4	5	6	7	8	9	10	11	12	1	2	3	4	5	6	7	8	9	10	11	12	
00-15	1	2	3	4	5	6	7	8	9	10	11	12	1	2	3	4	5	6	7	8	9	10	11	12	693
15-30	5	5	1	4	4	13	33	59	43	43	53	48	42	42	59	83	114	103	82	64	50	30	30	693	
30-45	6	1	2	1	4	4	23	48	45	68	58	87	94	96	83	116	132	117	61	55	37	30	25	194	
45-00	3	2	4	4	5	17	43	45	56	67	66	80	85	78	81	122	111	129	90	34	53	22	18	0	
TOT	22	15	5	10	19	64	149	215	194	258	242	296	389	309	350	400	501	520	402	242	216	143	102	693	

AM PEAK HOUR 0700 TO 0800 VOLUME 215
PM PEAK HOUR 0000 TO 0000 VOLUME 0

AM TOTAL 693
PM TOTAL 0

SR 005 Q100823 MP 000.35 OFF SYSTEM ID. LEG 2 DIRECTION OF TRAFFIC NORTHBOUND LANE 2 OF 2

COUNT IDENTIFIER 10-001 COUNTER NUMBER 032290 * DESCRIPTION: ON SR 5 NB ON RAMP FROM NE 134TH ST/SR 205 NB

COUNT IDENTIFIER	01/11/10 MONDAY												DAILY TOTAL
	AM HOURS						PM HOURS						
	1	2	3	4	5	6	7	8	9	10	11	12	
00-15													
15-30													
30-45													
45-00													
HOUR													
TOT	12	1	2	3	4	5	6	7	8	9	10	11	104.77

AM PEAK HOUR 0000 TO 0000 VOLUME 0
PM PEAK HOUR 0430 TO 0530 VOLUME 1604
AM TOTAL 0
PM TOTAL 104.77

COUNT IDENTIFIER	01/12/10 TUESDAY												DAILY TOTAL
	AM HOURS						PM HOURS						
	1	2	3	4	5	6	7	8	9	10	11	12	
00-15													
15-30													
30-45													
45-00													
HOUR													
TOT	12	1	2	3	4	5	6	7	8	9	10	11	182.01

AM PEAK HOUR 0715 TO 0815 VOLUME 1106
PM PEAK HOUR 0415 TO 0515 VOLUME 1685
AM TOTAL 696.9
PM TOTAL 1123.2

COUNT IDENTIFIER	01/13/10 WEDNESDAY												DAILY TOTAL
	AM HOURS						PM HOURS						
	1	2	3	4	5	6	7	8	9	10	11	12	
00-15													
15-30													
30-45													
45-00													
HOUR													
TOT	12	1	2	3	4	5	6	7	8	9	10	11	1881.4

AM PEAK HOUR 0730 TO 0830 VOLUME 1104
PM PEAK HOUR 0430 TO 0530 VOLUME 1608
AM TOTAL 717.9
PM TOTAL 1163.5

STATE OF WASHINGTON - DEPARTMENT OF TRANSPORTATION
TRIP SYSTEM
15 MINUTE TRAFFIC COUNT SUMMARY

SR 005 0100823 MP 000.35 OFF SYSTEM ID. LEG 2 DIRECTION OF TRAFFIC NORTHBOUND LANE 2 OF 2

COUNT IDENTIFIER 10-001 COUNTER NUMBER 032290 * DESCRIPTION: ON SR 5 NB ON RAMP FROM NE 134TH ST/SR 205 NB

01/14/10	THURSDAY												DAILY TOTAL												
	AM HOURS						PM HOURS																		
	1	2	3	4	5	6	7	8	9	10	11	12													
00-15	52	48	36	32	30	59	145	232	205	228	263	255	264	263	289	356	471	428	281	200	183	166	106	70	
15-30	44	35	33	49	60	113	195	299	270	252	224	245	263	317	305	357	407	421	293	198	175	178	77	53	
30-45	37	43	20	42	64	126	251	280	266	227	254	269	260	303	348	360	423	417	288	173	137	152	72	53	
45-00	40	27	33	59	58	110	238	267	243	228	237	256	284	286	347	376	418	396	215	181	166	125	81	51	
TOT	173	153	122	182	212	408	829	1078	984	935	978	1025	1071	1169	1289	1449	1719	1662	1077	752	661	621	372	251	
									AM PEAK HOUR 0700 TO 0800 VOLUME 1078											AM TOTAL 7079					
									PM PEAK HOUR 0400 TO 0500 VOLUME 1719												PM TOTAL 12093				

01/15/10	FRIDAY												DAILY TOTAL											
	AM HOURS						PM HOURS																	
	1	2	3	4	5	6	7	8	9	10	11	12												
00-15	47	36	38	40	39	95	140	198	250	225														
15-30	39	46	33	52	51	118	181	271	242															
30-45	42	37	44	63	78	110	246	280	252															
45-00	54	49	41	48	53	111	216	241	261															
TOT	182	168	156	203	221	434	783	990	1005	225														4367
									AM PEAK HOUR 0715 TO 0815 VOLUME 1042												AM TOTAL 4367			
									PM PEAK HOUR 0000 TO 0000 VOLUME 0												PM TOTAL 0			0

SR 005 Q100823 MP 000.35 OFF SYSTEM ID. LEG 2 DIRECTION OF TRAFFIC NORTHBOUND LANE 12 OF 2

COUNT IDENTIFIER 10-001 COUNTER NUMBER 032290 * DESCRIPTION: ON SR 5 NB ON RAMP FROM NE 134TH ST/SR 205 NB

01/11/10	MONDAY												AM TOTAL	PM TOTAL	DAILY TOTAL												
	AM HOURS						PM HOURS																				
12	1	2	3	4	5	6	7	8	9	10	11	12	1	2	3	4	5	6	7	8	9	10	11	12			
12	1	2	3	4	5	6	7	8	9	10	11	12	1	2	3	4	5	6	7	8	9	10	11	12	1310	1397	2707
00-15 52 55 52 44 57 102 184 286 308 267 275 287 320 341 354 476 490 532 396 267 208 200 155 87 15-30 48 36 47 46 59 131 259 373 362 272 269 320 315 374 389 441 533 523 378 276 208 226 126 80 30-45 45 33 44 39 67 132 280 378 349 271 287 279 366 385 401 481 482 492 365 243 231 187 95 64 45-00 50 43 48 44 92 147 292 304 287 263 308 363 349 369 437 499 538 471 303 225 203 166 91 81 HOUR 195 167 191 173 275 512 1015 1341 1306 1073 1139 1249 1350 1469 1581 1897 2043 2018 1442 1011 850 779 467 312 23855 TOT																											

01/12/10	TUESDAY												AM PEAK HOUR 0000 TO 0000 VOLUME	PM PEAK HOUR 0430 TO 0530 VOLUME	AM TOTAL	PM TOTAL	DAILY TOTAL										
	AM HOURS						PM HOURS																				
12	1	2	3	4	5	6	7	8	9	10	11	12	1	2	3	4	5	6	7	8	9	10	11	12			
12	1	2	3	4	5	6	7	8	9	10	11	12	1	2	3	4	5	6	7	8	9	10	11	12	2111	0	2111
00-15 50 44 45 41 52 100 184 275 330 292 232 286 314 346 332 447 468 538 383 287 199 223 125 93 15-30 53 26 51 50 62 112 244 352 306 270 258 304 323 335 386 447 580 531 412 245 209 207 128 81 30-45 47 53 37 38 66 183 299 384 292 250 344 319 313 351 405 444 552 474 358 237 207 168 95 63 45-00 41 32 48 50 82 155 261 301 269 296 280 331 327 301 426 481 545 448 261 241 197 151 117 48 HOUR 191 155 181 179 262 550 988 1312 1197 1108 1114 1240 1277 1333 1549 1827 2145 1991 1394 1010 812 749 465 285 23314 TOT																											

01/13/10	WEDNESDAY												AM PEAK HOUR 0715 TO 0815 VOLUME	PM PEAK HOUR 0445 TO 0545 VOLUME	AM TOTAL	PM TOTAL	DAILY TOTAL										
	AM HOURS						PM HOURS																				
12	1	2	3	4	5	6	7	8	9	10	11	12	1	2	3	4	5	6	7	8	9	10	11	12			
12	1	2	3	4	5	6	7	8	9	10	11	12	1	2	3	4	5	6	7	8	9	10	11	12	1363	2085	2448
00-15 52 55 52 44 57 102 184 286 308 267 275 287 320 341 354 476 490 532 396 267 208 200 155 87 15-30 48 36 47 46 59 131 259 373 362 272 269 320 315 374 389 441 533 523 378 276 208 226 126 80 30-45 45 33 44 39 67 132 280 378 349 271 287 279 366 385 401 481 482 492 365 243 231 187 95 64 45-00 50 43 48 44 92 147 292 304 287 263 308 363 349 369 437 499 538 471 303 225 203 166 91 81 HOUR 195 167 191 173 275 512 1015 1341 1306 1073 1139 1249 1350 1469 1581 1897 2043 2018 1442 1011 850 779 467 312 23855 TOT																											

SR 005 Q100823 MP 000.35 OFF SYSTEM ID. LEG 2 DIRECTION OF TRAFFIC NORTHBOUND LANE 12 OF 2

COUNT IDENTIFIER 10-001 COUNTER NUMBER 032290 * DESCRIPTION: ON SR 5 NB ON RAMP FROM NE 134TH ST/SR 205 NB

01/14/10 THURSDAY	AM HOURS												PM HOURS												DAILY TOTAL
	1	2	3	4	5	6	7	8	9	10	11	12	1	2	3	4	5	6	7	8	9	10	11	12	
12	1	2	3	4	5	6	7	8	9	10	11	12	1	2	3	4	5	6	7	8	9	10	11	12	80
60	52	39	35	35	70	173	295	247	295	332	314	378	335	364	449	606	573	384	282	247	216	136	80		
47	39	40	55	70	126	224	369	318	308	273	315	359	402	407	440	523	553	410	259	230	215	143	102		
43	44	23	46	69	146	302	350	311	295	312	356	354	377	440	462	562	531	380	238	181	186	96	69		
45-00	45	30	35	65	70	129	288	336	306	295	303	336	369	364	428	498	529	305	215	219	147	99	62		
TOT	195	165	137	201	244	471	987	1350	1182	1193	1220	1321	1460	1478	1639	1849	2220	2182	1479	994	877	764	474	313	24395
									AM PEAK HOUR 0700 TO 0800 VOLUME 1350												AM TOTAL 8666				
									PM PEAK HOUR 0400 TO 0500 VOLUME 2220													PM TOTAL 15729			

01/15/10 FRIDAY	AM HOURS												PM HOURS												DAILY TOTAL
	1	2	3	4	5	6	7	8	9	10	11	12	1	2	3	4	5	6	7	8	9	10	11	12	
12	1	2	3	4	5	6	7	8	9	10	11	12	1	2	3	4	5	6	7	8	9	10	11	12	4835
55	43	40	41	44	106	165	246	292																	
44	51	34	56	56	131	214	330	285																	
30-45	48	38	46	64	82	133	294	343	305																
45-00	57	51	41	52	58	128	259	286	317																
TOT	204	183	161	213	240	498	932	1205	1199																4835
									AM PEAK HOUR 0715 TO 0815 VOLUME 1251																
									PM PEAK HOUR 0000 TO 0000 VOLUME 0																

01/11/10 THRU 01/15/10 92
 3 DAYS
 AVG WEEKDAY VOL 23855 X SEASONAL ADJ. FACTOR 0.9900 = 23616 X AXLE CORR FACTOR 0.9226 = ESTIMATED AVG DAILY TRAFFIC 21788
 PEAK HOUR PERCENTAGES: K = 9.31 D = 100.00
 PEAK HOUR LOCATION : VOLUME = 2220 DATE: 01/14/10 TIME: 04:00 PM