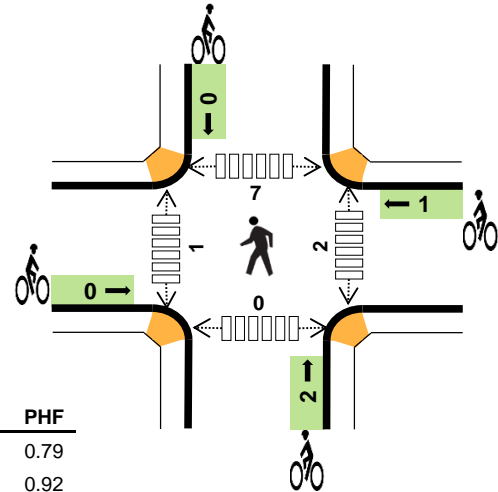
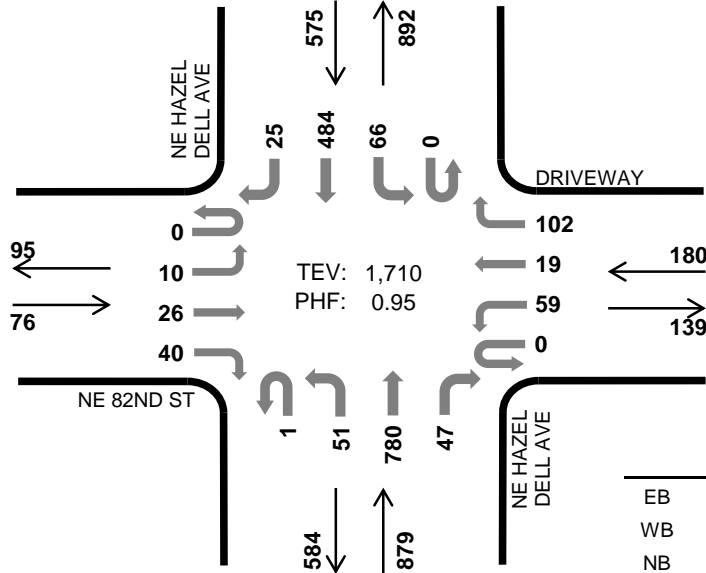


# NE HAZEL DELL AVE NE 82ND ST



Peak Hour

Date: Wed, Mar 15, 2017  
Count Period: 4:00 PM to 6:00 PM  
Peak Hour: 4:45 PM to 5:45 PM



	HV %:	PHF
EB	0.0%	0.79
WB	0.6%	0.92
NB	0.6%	0.95
SB	1.2%	0.89
TOTAL	0.8%	0.95

## Two-Hour Count Summaries

Interval Start	NE 82ND ST				DRIVEWAY				NE HAZEL DELL AVE				NE HAZEL DELL AVE				15-min Total	Rolling One Hour
	Eastbound		Westbound		Westbound		Northbound		Southbound		Southbound		Southbound					
	UT	LT	TH	RT	UT	LT	TH	RT	UT	LT	TH	RT	UT	LT	TH	RT		
4:00 PM	0	8	3	9	0	19	2	18	0	5	143	8	0	20	113	6	354	0
4:15 PM	0	3	6	13	0	12	6	20	0	7	170	5	0	15	116	7	380	0
4:30 PM	0	9	7	11	0	17	8	21	0	12	164	9	0	15	113	6	392	0
4:45 PM	0	3	9	12	0	16	5	21	0	8	189	8	0	23	114	8	416	1,542
5:00 PM	0	3	6	11	0	15	1	24	0	16	199	16	0	15	139	7	452	1,640
5:15 PM	0	2	7	9	0	12	3	34	0	13	204	9	0	16	128	6	443	1,703
5:30 PM	0	2	4	8	0	16	10	23	1	14	188	14	0	12	103	4	399	1,710
5:45 PM	0	5	6	10	0	13	3	20	0	9	175	11	0	14	118	4	388	1,682
Count Total	0	35	48	83	0	120	38	181	1	84	1,432	80	0	130	944	48	3,224	0
Peak Hour	0	10	26	40	0	59	19	102	1	51	780	47	0	66	484	25	1,710	0

Note: Two-hour count summary volumes include heavy vehicles but exclude bicycles in overall count.

Interval Start	Heavy Vehicle Totals					Bicycles					Pedestrians (Crossing Leg)				
	EB	WB	NB	SB	Total	EB	WB	NB	SB	Total	East	West	North	South	Total
4:00 PM	1	1	4	3	9	0	0	1	1	2	1	0	3	0	4
4:15 PM	0	1	0	2	3	0	0	0	1	1	0	0	0	0	0
4:30 PM	1	1	3	1	6	2	0	1	0	3	1	1	4	2	8
4:45 PM	0	1	1	4	6	0	0	1	0	1	2	0	3	0	5
5:00 PM	0	0	1	1	2	0	0	0	0	0	0	1	2	0	3
5:15 PM	0	0	1	1	2	0	0	0	0	0	0	0	1	0	1
5:30 PM	0	0	2	1	3	0	1	1	0	2	0	0	1	0	1
5:45 PM	0	0	1	1	2	0	0	0	0	0	0	0	0	0	0
Count Total	2	4	13	14	33	2	1	4	2	9	4	2	14	2	22
Peak Hour	0	1	5	7	13	0	1	2	0	3	2	1	7	0	10