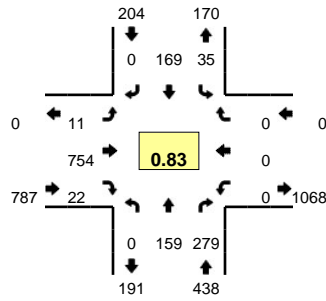
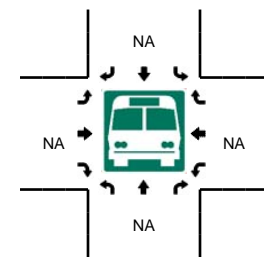
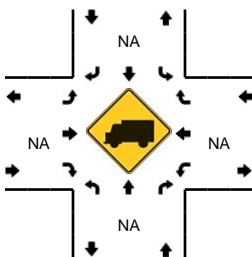
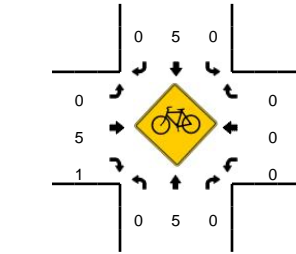
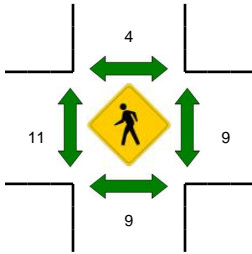
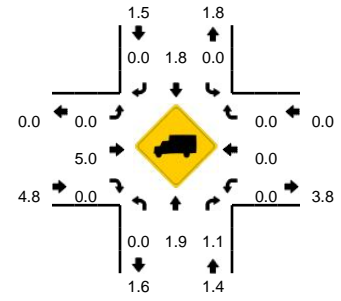


LOCATION: Columbia St -- Mill Plain Blvd
CITY/STATE: Vancouver, WA

QC JOB #: 13418644
DATE: Thu, Jun 11 2015



Peak-Hour: 4:30 PM -- 5:30 PM
Peak 15-Min: 5:00 PM -- 5:15 PM



5-Min Count Period Beginning At	Columbia St (Northbound)				Columbia St (Southbound)				Mill Plain Blvd (Eastbound)				Mill Plain Blvd (Westbound)				Total	Hourly Totals	
	Left	Thru	Right	U	Left	Thru	Right	U	Left	Thru	Right	U	Left	Thru	Right	U			
4:00 PM	0	6	16	0	3	10	0	0	0	69	0	0	0	0	0	0	0	104	
4:05 PM	0	10	25	0	3	19	0	0	2	78	3	0	0	0	0	0	0	140	
4:10 PM	0	13	24	0	2	15	0	0	1	50	5	0	0	0	0	0	0	110	
4:15 PM	0	12	20	0	3	13	0	0	0	50	0	0	0	0	0	0	0	98	
4:20 PM	0	12	12	0	2	19	0	0	0	43	3	0	0	0	0	0	0	91	
4:25 PM	0	13	12	0	4	16	0	0	0	44	0	0	0	0	0	0	0	89	
4:30 PM	0	12	18	0	4	8	0	0	0	58	3	0	0	0	0	0	0	103	
4:35 PM	0	17	30	0	2	15	0	0	0	89	1	0	0	0	0	0	0	154	
4:40 PM	0	13	21	0	7	19	0	0	1	85	0	0	0	0	0	0	0	146	
4:45 PM	0	10	17	0	2	8	0	0	0	68	4	0	0	0	0	0	0	109	
4:50 PM	0	12	16	0	3	20	0	0	1	44	1	0	0	0	0	0	0	97	
4:55 PM	0	12	24	0	3	15	0	0	0	49	2	0	0	0	0	0	0	105	1346
5:00 PM	0	15	22	0	3	11	0	0	2	74	0	0	0	0	0	0	0	127	1369
5:05 PM	0	19	36	0	1	13	0	0	0	83	1	0	0	0	0	0	0	153	1382
5:10 PM	0	11	36	0	4	19	0	0	3	73	4	0	0	0	0	0	0	150	1422
5:15 PM	0	12	22	0	2	10	0	0	2	52	2	0	0	0	0	0	0	102	1426
5:20 PM	0	12	19	0	2	11	0	0	0	32	2	0	0	0	0	0	0	78	1413
5:25 PM	0	14	18	0	2	20	0	0	2	47	2	0	0	0	0	0	0	105	1429
5:30 PM	0	14	11	0	3	11	0	0	1	54	0	0	0	0	0	0	0	94	1420
5:35 PM	0	17	19	0	3	18	0	0	0	54	0	0	0	0	0	0	0	111	1377
5:40 PM	0	7	20	0	6	15	0	0	0	44	0	0	0	0	0	0	0	92	1323
5:45 PM	0	11	19	0	0	8	0	0	0	36	6	0	0	0	0	0	0	80	1294
5:50 PM	0	12	6	0	4	16	0	0	0	29	3	0	0	0	0	0	0	70	1267
5:55 PM	0	12	17	0	1	3	0	0	0	40	0	0	0	0	0	0	0	73	1235
Peak 15-Min Flowrates	Northbound				Southbound				Eastbound				Westbound				Total		
	Left	Thru	Right	U	Left	Thru	Right	U	Left	Thru	Right	U	Left	Thru	Right	U			
All Vehicles	0	180	376	0	32	172	0	0	20	920	20	0	0	0	0	0	0	1720	
Heavy Trucks	0	0	4	0	0	0	0	0	0	20	0	0	0	0	0	0	0	24	
Pedestrians		8				8				16				8				40	
Bicycles	0	1	0	0	0	1	0	0	0	1	1	0	0	0	0	0	0	4	
Railroad																			
Stopped Buses																			

Comments: N/A