

Diamond Traffic Counter

Interval 60 Min. 15 Min.

Raw Collect Axle **LANE**

Binned (CL/SP) Speed X Axle **1 OF 2**

Count (Vol) Speed

Enabled Lane No. 1 2 9 10

Direction Channel 1 _____

Direction Channel 2 _____

Direction Channel 9 _____

Direction Channel 10 _____

TAM Card No. 53173

Counter No. 2814 Count ID SP# 04-001

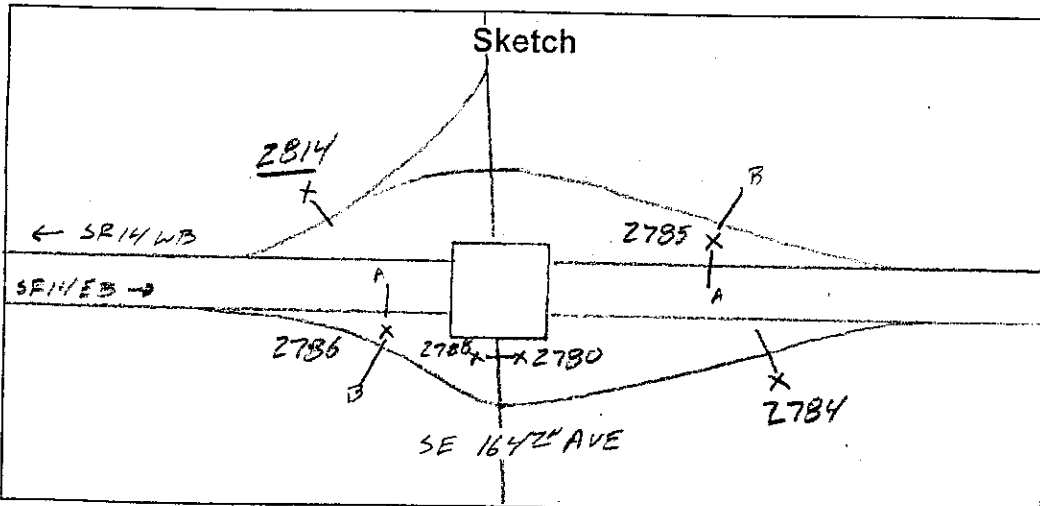
SR 14 RRT _____ MP 7.92

Leg 2 1 Direction WB OSID _____

Station Description - ON SR 14 ON RAMP (SI 00793) FROM SE 164TH AVE
(WYE CON)

ON SR 14 W/O SE 164TH AVE I/C

Date	Day	Time	Comments
6-28-04	2	1237	Manual A _____ B _____ Counter A _____ B _____ 6.7v
			SET COUNTER OK C/D
6-29	3	0951	Manual A <u>50</u> B _____ Counter A <u>50</u> B _____ TUBE UP FIXED @ 952 OF C/D DB
6-30	4	1325	Manual A <u>36</u> B _____ Counter A <u>36</u> B _____ 6.5 OK C/D DB
7-1	5	1349	Manual A <u>35</u> B _____ Counter A <u>35</u> B _____ OK C/D + DB
7-2	6	1107	Manual A _____ B _____ Counter A _____ B _____ TUBE UP FIXED @ 1107 STILL CATCHING BUS LANE PICK UP INSIDE LANE OK C/D



D BLAKE ? C. JOBE

Field Person

Diamond Traffic Counter

Interval 60 Min. 15 Min.

Raw Collect Axle
 Binned (CL/SP) Speed X Axle
 Count (Vol) Speed

Enabled Lane No. 1 2 9 10

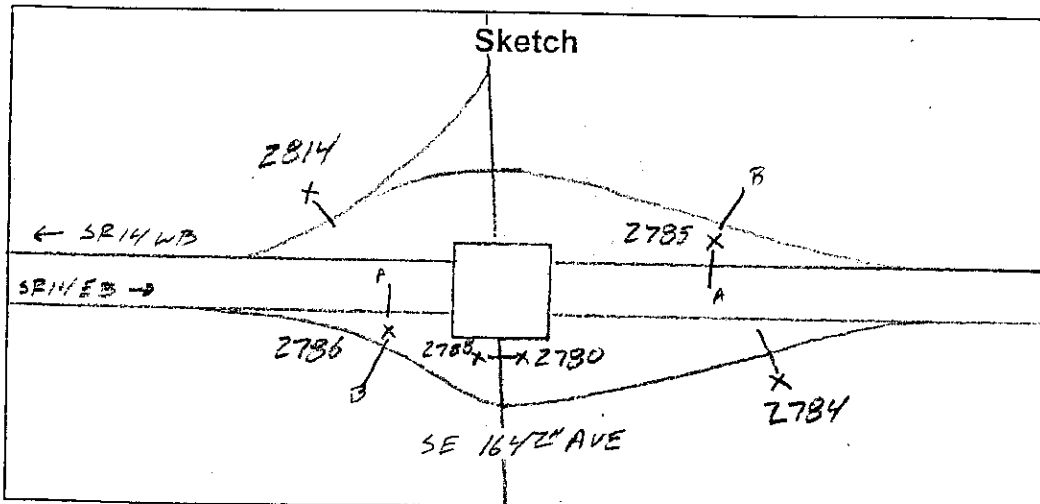
Direction Channel 1 SR 14 WB LANE 2 OF 2
 Direction Channel 2 014 R7 00990 U
 Direction Channel 9 _____
 Direction Channel 10 _____

TAM Card No. 83173

Counter No. 2785 Count ID SP# 04-001
7.92
 SR 14 RRT _____ MP 0.00
 Leg 1 Direction WB OSID _____

Station Description - ON SR 14 W/O SE 164TH AVE I/C

Date	Day	Time	Comments
6-28-04	2	1230	Manual A _____ B _____ Counter A _____ B _____ 6.5v
6-29	3	0951	Manual A <u>28</u> B _____ Counter A <u>28</u> B _____ SET COUNTER OK CJ+DB TUBE UP FIXED @ 0952 OK CJ+DB 6.5
6-30	4	1320	Manual A <u>11</u> B _____ Counter A <u>11</u> B _____ OK CJ+DB 6.5v
7-1	5	1345	Manual A _____ B _____ Counter A _____ B _____ OK CJ+DB 6.5v
7-2	6	1102	Manual A _____ B _____ Counter A _____ B _____ PICK UP OK CJ+DB



D BLAKE? C. JOBE

Field Person

Diamond Traffic Counter

Interval 60 Min. 15 Min.

Raw Collect Axle
 Binned (CL/SP) Speed X Axle
 Count (Vol) Speed

Enabled Lane No. 1 2 9 10

Direction Channel 1 EB SR 14 W/O SE 164TH AVE LANE 2 OF 2

Direction Channel 2 EB SR 14 W/O SE 164TH AVE LANE 1 OF 2

Direction Channel 9 _____

Direction Channel 10 _____

TAM Card No. 83173

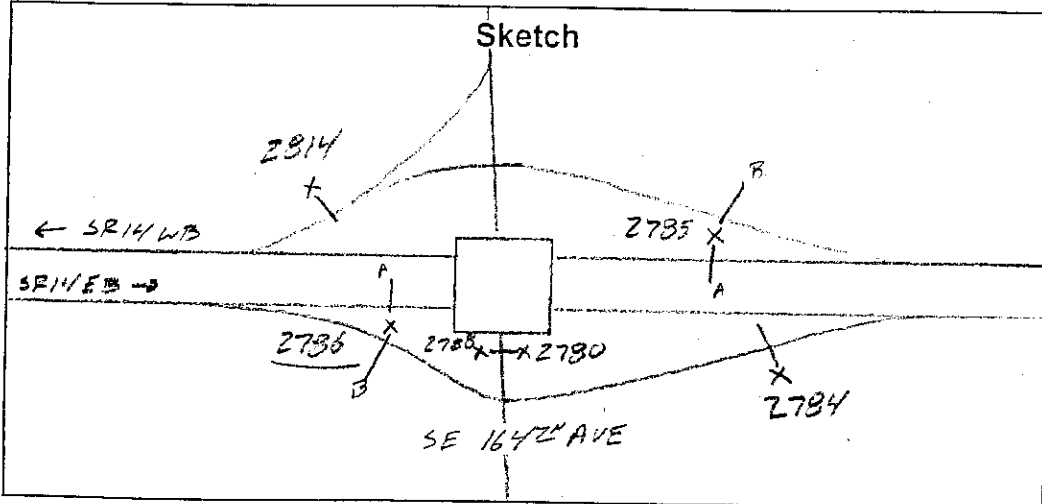
Counter No. 2786 Count ID SP# 04-001

SR 14 RRT _____ MP 7.92

Leg 2 1 Direction SEE A, B OSID _____

Station Description - ON SR 14 W/O SE 164TH AVE I/C

Date	Day	Time	Comments
6-28-04	2	1145	Manual A 10 B 3 Counter A 10 B 3 6.2v SET COUNTER OK CS+DB
6-29	3	0916	Manual A 40 B 47 Counter A 40 B 32 6.2v OK CS
6-30	4	1246	Manual A 46 B 39 Counter A 46 B 39 6.2v OK DB
7-1	5	1339	Manual A 50 B 50 Counter A 50 B 50 6.2v OK CS+DB
7-2	6	1057	Manual A _____ B _____ Counter A _____ B _____ 6.2v Pick UP OK CS+DB



D BLAKE ? C. JOBE

SR 014 MP 007.92 OFF SYSTEM ID. LEG 1 DIRECTION OF TRAFFIC WESTBOUND LANE 1 OF 2

COUNT IDENTIFIER 04-001 COUNTER NUMBER 281400 DESCRIPTION: ON SR 14 W/O SE 164TH AVE I/C

06/28/04 MONDAY	AM HOURS	PM HOURS	AM PEAK HOUR 0000 TO 0530 VOLUME	PM PEAK HOUR 0430 TO 0530 VOLUME	AM TOTAL	PM TOTAL	DAILY TOTAL	
12	1	2	333	1204	1267	1322	1356	
1	2	3						
2	3	4						
3	4	5						
4	5	6						
5	6	7						
6	7	8						
7	8	9						
8	9	10						
9	10	11						
10	11	12						
11	12	1						
12	1	2						
1	2	3						
2	3	4						
3	4	5						
4	5	6						
5	6	7						
6	7	8						
7	8	9						
8	9	10						
9	10	11						
10	11	12						
11	12	1						
12	1	2						
TOT			333	1204	1267	1322	1356	7520

TUBE UP

06/29/04 TUESDAY	AM HOURS	PM HOURS	AM PEAK HOUR 1045 TO 1145 VOLUME	PM PEAK HOUR 0445 TO 0545 VOLUME	AM TOTAL	PM TOTAL	DAILY TOTAL	
12	1	2	215	1184	1322	1230	1266	
1	2	3						
2	3	4						
3	4	5						
4	5	6						
5	6	7						
6	7	8						
7	8	9						
8	9	10						
9	10	11						
10	11	12						
11	12	1						
12	1	2						
1	2	3						
2	3	4						
3	4	5						
4	5	6						
5	6	7						
6	7	8						
7	8	9						
8	9	10						
9	10	11						
10	11	12						
11	12	1						
12	1	2						
TOT			215	1184	1322	1230	1266	1283

TUBE UP

06/30/04 WEDNESDAY	AM HOURS	PM HOURS	AM PEAK HOUR 0700 TO 0800 VOLUME	PM PEAK HOUR 0445 TO 0545 VOLUME	AM TOTAL	PM TOTAL	DAILY TOTAL	
12	1	2	1567	1334	1197	1240	1352	
1	2	3						
2	3	4						
3	4	5						
4	5	6						
5	6	7						
6	7	8						
7	8	9						
8	9	10						
9	10	11						
10	11	12						
11	12	1						
12	1	2						
1	2	3						
2	3	4						
3	4	5						
4	5	6						
5	6	7						
6	7	8						
7	8	9						
8	9	10						
9	10	11						
10	11	12						
11	12	1						
12	1	2						
TOT			1567	1334	1197	1240	1352	1270

22155

STATE OF WASHINGTON - DEPARTMENT OF TRANSPORTATION
TRIP SYSTEM
15 MINUTE TRAFFIC COUNT SUMMARY

SR 014 MP 007.92 OFF SYSTEM ID. LEG 1 DIRECTION OF TRAFFIC WESTBOUND LANE 1 OF 2

COUNT IDENTIFIER 04-001 COUNTER NUMBER 281400 DESCRIPTION: ON SR 14 W/O SE 164TH AVE I/C

07/01/04 THURSDAY	AM HOURS												PM HOURS												DAILY TOTAL
	1	2	3	4	5	6	7	8	9	10	11	12	1	2	3	4	5	6	7	8	9	10	11	12	
00-15	48	16	22	10	37	105	314	442	337	288	294	338	317	322	300	328	401	387	350	264	204	157	133	89	22043
15-30	36	12	14	35	42	150	365	424	433	334	322	321	313	381	337	322	323	417	340	189	170	151	115	64	
30-45	27	14	16	32	73	257	412	374	349	345	307	342	308	386	364	376	373	392	281	202	148	164	114	57	
45-00	26	18	18	41	63	232	398	368	350	314	313	320	321	279	337	362	343	327	242	176	126	141	79	43	
TOT	137	60	70	118	215	744	1489	1608	1449	1281	1236	1321	1259	1368	1338	1388	1440	1523	1213	831	648	613	441	253	
									AM PEAK HOUR 0630 TO 0730 VOLUME 1676												AM TOTAL 9728				
									PM PEAK HOUR 0445 TO 0545 VOLUME 1539													PM TOTAL 12315			

07/02/04 FRIDAY	AM HOURS													PM HOURS													DAILY TOTAL
	1	2	3	4	5	6	7	8	9	10	11	12	1	2	3	4	5	6	7	8	9	10	11	12			
00-15	12	1	2	3	4	5	6	7	8	9	10	11	12	1	2	3	4	5	6	7	8	9	10	11	12	1582	
15-30	54	20	13	18	28	94	205	9	3	6	8	1	1	1	1	1	1	1	1	1	1	1	1	1	1		
30-45	37	25	19	22	41	140	10	5	12	5	3	1	1	1	1	1	1	1	1	1	1	1	1	1	1		
45-00	29	25	16	34	65	228	5	4	1	3	1	1	1	1	1	1	1	1	1	1	1	1	1	1	1		
TOT	139	94	67	112	203	657	228	33	22	14	13	4	4	4	4	4	4	4	4	4	4	4	4	4	4		
									AM PEAK HOUR 0515 TO 0615 VOLUME 768												AM TOTAL 1582						
									PM PEAK HOUR 0000 TO 0000 VOLUME 0													PM TOTAL 0					

TUBE UP

SR 014 MP 007.92 OFF SYSTEM ID. LEG 1 DIRECTION OF TRAFFIC WESTBOUND LANE 2 OF 2

COUNT IDENTIFIER 04-001 COUNTER NUMBER 278500 * DESCRIPTION: ON SR 14 W/O SE 164TH AVE I/C

06/28/04 MONDAY	AM HOURS												PM HOURS												AM TOTAL	PM TOTAL	DAILY TOTAL	
	1	2	3	4	5	6	7	8	9	10	11	12	1	2	3	4	5	6	7	8	9	10	11	12				
00-15	12	1	2	3	4	5	6	7	8	9	10	11	12	1	2	3	4	5	6	7	8	9	10	11	12	320	297	297
15-30	1	2	3	4	5	6	7	8	9	10	11	12	1	2	3	4	5	6	7	8	9	10	11	12	328	310	294	
30-45	1	2	3	4	5	6	7	8	9	10	11	12	1	2	3	4	5	6	7	8	9	10	11	12	291	312	360	
45-00	1	2	3	4	5	6	7	8	9	10	11	12	1	2	3	4	5	6	7	8	9	10	11	12	324	298	285	
TOT	128	82	109	101	264	843	1823	2137	1574	1352	1185	1208	1242	1203	1169	1303	1298	1303	1017	694	557	486	314	242	1384	0	9716	

06/29/04 TUESDAY	AM HOURS												PM HOURS												AM TOTAL	PM TOTAL	DAILY TOTAL	
	1	2	3	4	5	6	7	8	9	10	11	12	1	2	3	4	5	6	7	8	9	10	11	12				
00-15	12	1	2	3	4	5	6	7	8	9	10	11	12	1	2	3	4	5	6	7	8	9	10	11	12	40	21	18
15-30	1	2	3	4	5	6	7	8	9	10	11	12	1	2	3	4	5	6	7	8	9	10	11	12	37	30	33	
30-45	1	2	3	4	5	6	7	8	9	10	11	12	1	2	3	4	5	6	7	8	9	10	11	12	27	21	30	
45-00	1	2	3	4	5	6	7	8	9	10	11	12	1	2	3	4	5	6	7	8	9	10	11	12	24	10	28	
TOT	128	82	109	101	264	843	1823	2137	1574	1352	1185	1208	1242	1203	1169	1303	1298	1303	1017	694	557	486	314	242	1384	0	9716	

06/30/04 WEDNESDAY	AM HOURS												PM HOURS												AM TOTAL	PM TOTAL	DAILY TOTAL	
	1	2	3	4	5	6	7	8	9	10	11	12	1	2	3	4	5	6	7	8	9	10	11	12				
00-15	12	1	2	3	4	5	6	7	8	9	10	11	12	1	2	3	4	5	6	7	8	9	10	11	12	42	32	17
15-30	1	2	3	4	5	6	7	8	9	10	11	12	1	2	3	4	5	6	7	8	9	10	11	12	34	17	17	
30-45	1	2	3	4	5	6	7	8	9	10	11	12	1	2	3	4	5	6	7	8	9	10	11	12	42	23	21	
45-00	1	2	3	4	5	6	7	8	9	10	11	12	1	2	3	4	5	6	7	8	9	10	11	12	17	21	36	
TOT	135	93	91	127	263	823	1808	2066	1580	1393	1279	1253	1183	1200	1307	1349	1357	1256	973	679	521	463	345	221	2066	1439	21745	

TRIP SYSTEM
15 MINUTE TRAFFIC COUNT SUMMARY

SR 014 MP 007.92 OFF SYSTEM ID. LEG 1 DIRECTION OF TRAFFIC WESTBOUND LANE 2 OF 2

COUNT IDENTIFIER 04-001 COUNTER NUMBER 278500 * DESCRIPTION: ON SR 14 W/O SE 164TH AVE I/C

07/01/04 THURSDAY	AM HOURS												PM HOURS												DAILY TOTAL
	1	2	3	4	5	6	7	8	9	10	11	12	1	2	3	4	5	6	7	8	9	10	11	12	
12	1	2	3	4	5	6	7	8	9	10	11	12	1	2	3	4	5	6	7	8	9	10	11	12	10680
TOT	150	78	97	105	238	800	1666	2025	1592	1350	1288	1291	1252	1211	1234	1459	1296	1294	1046	725	547	504	358	247	21853

AM PEAK HOUR 0700 TO 0800 VOLUME 2025
PM PEAK HOUR 0300 TO 0400 VOLUME 1459

AM TOTAL 10680
PM TOTAL 11173

07/02/04 FRIDAY	AM HOURS												PM HOURS												DAILY TOTAL
	1	2	3	4	5	6	7	8	9	10	11	12	1	2	3	4	5	6	7	8	9	10	11	12	
12	1	2	3	4	5	6	7	8	9	10	11	12	1	2	3	4	5	6	7	8	9	10	11	12	8880
TOT	129	113	80	137	217	702	1506	1787	1506	1371	1332														8880

AM PEAK HOUR 0700 TO 0800 VOLUME 1787
PM PEAK HOUR 0000 TO 0000 VOLUME 0

AM TOTAL 8880
PM TOTAL 0

SR 014 MP 007.92 OFF SYSTEM ID. LEG 1 DIRECTION OF TRAFFIC WESTBOUND LANE 12 OF 2

COUNT IDENTIFIER 04-001 COUNTER NUMBER 278500 * DESCRIPTION: ON SR 14 W/O SE 164TH AVE I/C

06/28/04	MONDAY	AM HOURS												PM HOURS												DAILY TOTAL
		1	2	3	4	5	6	7	8	9	10	11	12	1	2	3	4	5	6	7	8	9	10	11	12	
12	1	2	3	4	5	6	7	8	9	10	11	12	1	2	3	4	5	6	7	8	9	10	11	12	17236	
TOT		657 2441 2471 2647 2656 2738 1435 652 542 458 320 219 17236																								

AM PEAK HOUR 0000 TO 0000 VOLUME 0
PM PEAK HOUR 0430 TO 0530 VOLUME 2838

Tube up L1 of 2

06/29/04	TUESDAY	AM HOURS												PM HOURS												DAILY TOTAL
		1	2	3	4	5	6	7	8	9	10	11	12	1	2	3	4	5	6	7	8	9	10	11	12	
12	1	2	3	4	5	6	7	8	9	10	11	12	1	2	3	4	5	6	7	8	9	10	11	12	36057	
TOT		132 83 109 102 264 848 1836 2145 1574 1567 2369 2530 2472 2469 2449 2586 2713 2881 2133 1530 1186 991 646 442 36057																								

AM PEAK HOUR 1100 TO 1200 VOLUME 2530
PM PEAK HOUR 0445 TO 0545 VOLUME 2965

Tube up L1 of 2

06/30/04	WEDNESDAY	AM HOURS												PM HOURS												DAILY TOTAL
		1	2	3	4	5	6	7	8	9	10	11	12	1	2	3	4	5	6	7	8	9	10	11	12	
12	1	2	3	4	5	6	7	8	9	10	11	12	1	2	3	4	5	6	7	8	9	10	11	12	43900	
TOT		250 158 199 224 493 1582 3303 3787 3147 2727 2476 2550 2423 2552 2577 2789 2721 2780 2211 1538 1147 1046 765 455 43900																								

AM PEAK HOUR 0700 TO 0800 VOLUME 3787
PM PEAK HOUR 0430 TO 0530 VOLUME 2873

AM TOTAL 20896
PM TOTAL 23004

DOT-RNB515A-B

STATE OF WASHINGTON - DEPARTMENT OF TRANSPORTATION

15 MINUTE TRAFFIC COUNT SUMMARY

DATE 10/28/04
TIME 09:16:21
PAGE 12

SR 014 MP 007.92 OFF SYSTEM ID. LEG 1 DIRECTION OF TRAFFIC WESTBOUND LANE 12 OF 2

COUNT IDENTIFIER 04-001 COUNTER NUMBER 278500 * DESCRIPTION: ON SR 14 W/O SE 164TH AVE I/C

07/01/04 THURSDAY	AM HOURS												PM HOURS												DAILY TOTAL
	1	2	3	4	5	6	7	8	9	10	11	12	1	2	3	4	5	6	7	8	9	10	11	12	
12	1	2	3	4	5	6	7	8	9	10	11	12	1	2	3	4	5	6	7	8	9	10	11	12	500
TOT	287	138	167	223	453	1544	3155	3633	3041	2631	2524	2612	2511	2579	2572	2847	2736	2817	2259	1556	1195	1117	799	500	
									AM PEAK HOUR 0700 TO 0800 VOLUME 3633															AM TOTAL 20408	
									PM PEAK HOUR 0330 TO 0430 VOLUME 2897															PM TOTAL 23488	

43896

07/02/04 FRIDAY	AM HOURS												PM HOURS												DAILY TOTAL
	1	2	3	4	5	6	7	8	9	10	11	12	1	2	3	4	5	6	7	8	9	10	11	12	
12	1	2	3	4	5	6	7	8	9	10	11	12	1	2	3	4	5	6	7	8	9	10	11	12	10462
TOT	268	207	147	249	420	1359	1734	1820	1528	1385	1345	1345	1820	0										AM TOTAL 10462	
																								PM TOTAL 0	

TOR UP
LN 1 OF 2

06/28/04 THRU 07/02/04
TOTAL HOURS FOR COUNT 94

AVG WEEKDAY VOL 43898 FACTOR GROUP GR-02 39508 FACTOR GROUP GR-A2 37505
41284 X SEASONAL ADJ. FACTOR 0.9000 = 37156 X AXLE CORR FACTOR 0.9493 = ESTIMATED AVG DAILY TRAFFIC 35272

DOT-RNBS15A-B

STATE OF WASHINGTON - DEPARTMENT OF TRANSPORTATION

DATE 10/28/04

TRIP SYSTEM
15 MINUTE TRAFFIC COUNT SUMMARY

TIME 09:16:21
PAGE 13

SR 014 MP 007.92 OFF SYSTEM ID. LEG 1 DIRECTION OF TRAFFIC EASTBOUND LANE 1 OF 2

COUNT IDENTIFIER 04-001 COUNTER NUMBER 278600 DESCRIPTION: ON SR 14 W/O SE 164TH AVE I/C

06/28/04 MONDAY	AM HOURS	PM HOURS	AM PEAK HOUR 0000 TO 0615 VOLUME	PM PEAK HOUR 0515 TO 0615 VOLUME	AM TOTAL	PM TOTAL	DAILY TOTAL						
12	1	2	3	4	5	6	7	8	9	10	11	12	TOTAL
1	2	3	4	5	6	7	8	9	10	11	12	TOTAL	
277	268	294	367	392	450	488	304	215	236	138	92		
285	316	315	400	392	489	440	290	220	208	167	102		
273	282	362	424	477	477	401	233	259	168	108	88		
304	276	373	464	445	484	334	264	207	180	93	76		
TOT	1139	1142	1344	1655	1706	1900	1663	1091	901	792	506	358	14197

06/29/04 TUESDAY	AM HOURS	PM HOURS	AM PEAK HOUR 0000 TO 0615 VOLUME	PM PEAK HOUR 0515 TO 0615 VOLUME	AM TOTAL	PM TOTAL	DAILY TOTAL																			
12	1	2	3	4	5	6	7	8	9	10	11	12	TOTAL													
1	2	3	4	5	6	7	8	9	10	11	12	TOTAL														
63	29	22	19	12	37	87	211	269	242	206	259	290	290	315	353	412	448	442	351	236	247	172	94			
15-30	61	33	16	18	12	70	143	239	312	276	229	264	323	332	323	399	429	522	438	324	246	247	189	114		
30-45	35	22	13	11	26	119	192	280	284	234	231	277	266	341	334	427	412	469	412	285	247	194	143	104		
45-00	41	28	14	21	27	107	215	319	288	239	220	299	260	288	384	435	474	444	372	265	248	194	141	81		
TOT	200	112	65	69	77	333	637	1049	1153	991	886	1099	1139	1251	1356	1614	1727	1883	1664	1225	977	882	645	393	21427	

06/30/04 WEDNESDAY	AM HOURS	PM HOURS	AM PEAK HOUR 0745 TO 0845 VOLUME	PM PEAK HOUR 0445 TO 0545 VOLUME	AM TOTAL	PM TOTAL	DAILY TOTAL																			
12	1	2	3	4	5	6	7	8	9	10	11	12	TOTAL													
1	2	3	4	5	6	7	8	9	10	11	12	TOTAL														
62	32	22	20	13	45	100	194	300	263	217	255	308	310	338	330	441	463	481	313	281	255	181	105			
15-30	60	22	31	23	16	68	247	309	247	230	221	316	301	341	412	450	480	445	337	272	221	196	96			
30-45	45	33	23	19	31	122	257	297	221	225	259	300	309	337	401	436	465	386	306	252	228	146	94			
45-00	43	25	19	11	30	118	224	337	296	281	272	285	284	319	368	473	457	476	410	290	253	220	113	87		
TOT	210	112	95	73	90	353	607	1035	1202	1012	944	1020	1208	1239	1384	1616	1784	1884	1722	1246	1058	924	636	382	21836	

AM PEAK HOUR 0745 TO 0845 VOLUME 1243
PM PEAK HOUR 0515 TO 0615 VOLUME 1902
AM TOTAL 6753
PM TOTAL 15083

DOT-RNB515A-B

STATE OF WASHINGTON - DEPARTMENT OF TRANSPORTATION

DATE 10/28/04

TRIP SYSTEM
15 MINUTE TRAFFIC COUNT SUMMARY

TIME 09:16:21
PAGE 14

SR 014 MP 007.92 OFF SYSTEM ID. LEG 1 DIRECTION OF TRAFFIC EASTBOUND LANE 1 OF 2

COUNT IDENTIFIER 04-001 COUNTER NUMBER 278600 DESCRIPTION: ON SR 14 W/O SE 164TH AVE I/C

07/01/04 THURSDAY	AM HOURS												PM HOURS												DAILY TOTAL
	1	2	3	4	5	6	7	8	9	10	11	12	1	2	3	4	5	6	7	8	9	10	11	12	
12	1	2	3	4	5	6	7	8	9	10	11	12	1	2	3	4	5	6	7	8	9	10	11	12	227
TOT	119	92	65	82	343	602	987	1183	946	919	1040	1246	1313	1397	1612	1721	1870	1579	1342	1076	974	671	451	21857	

AM PEAK HOUR 0745 TO 0845 VOLUME 1211
PM PEAK HOUR 0445 TO 0545 VOLUME 1888

AM TOTAL 6605
PM TOTAL 15252

07/02/04 FRIDAY	AM HOURS												PM HOURS												DAILY TOTAL
	1	2	3	4	5	6	7	8	9	10	11	12	1	2	3	4	5	6	7	8	9	10	11	12	
12	1	2	3	4	5	6	7	8	9	10	11	12	1	2	3	4	5	6	7	8	9	10	11	12	236
TOT	141	112	75	98	284	525	924	1045	975	475															4890

AM PEAK HOUR 0745 TO 0845 VOLUME 1110
PM PEAK HOUR 0000 TO 0000 VOLUME 0

AM TOTAL 4890
PM TOTAL 0

TRIP SYSTEM
15 MINUTE TRAFFIC COUNT SUMMARY

SR 014 MP 007.92 OFF SYSTEM ID. LEG 1 DIRECTION OF TRAFFIC EASTBOUND LANE 2 OF 2

COUNT IDENTIFIER 04-001 COUNTER NUMBER 278600 DESCRIPTION: ON SR 14 W/O SE 164TH AVE I/C

06/28/04	MONDAY	AM HOURS												PM HOURS												DAILY TOTAL			
		1	2	3	4	5	6	7	8	9	10	11	12	1	2	3	4	5	6	7	8	9	10	11	12				
00-15	12	1	2	3	4	5	6	7	8	9	10	11	12	1	2	3	4	5	6	7	8	9	10	11	12	107			
15-30	1	2	3	4	5	6	7	8	9	10	11	12	1	2	3	4	5	6	7	8	9	10	11	12	107				
30-45	1	2	3	4	5	6	7	8	9	10	11	12	1	2	3	4	5	6	7	8	9	10	11	12	71				
45-00	1	2	3	4	5	6	7	8	9	10	11	12	1	2	3	4	5	6	7	8	9	10	11	12	72				
TOT	12	1	2	3	4	5	6	7	8	9	10	11	12	1	2	3	4	5	6	7	8	9	10	11	12	332			
AM PEAK HOUR 0000 TO 0000 VOLUME 0														PM PEAK HOUR 0515 TO 0615 VOLUME 2000														AM TOTAL 0	PM TOTAL 13716

06/29/04	TUESDAY	AM HOURS												PM HOURS												DAILY TOTAL			
		1	2	3	4	5	6	7	8	9	10	11	12	1	2	3	4	5	6	7	8	9	10	11	12				
00-15	12	1	2	3	4	5	6	7	8	9	10	11	12	1	2	3	4	5	6	7	8	9	10	11	12	98			
15-30	1	2	3	4	5	6	7	8	9	10	11	12	1	2	3	4	5	6	7	8	9	10	11	12	80				
30-45	1	2	3	4	5	6	7	8	9	10	11	12	1	2	3	4	5	6	7	8	9	10	11	12	85				
45-00	1	2	3	4	5	6	7	8	9	10	11	12	1	2	3	4	5	6	7	8	9	10	11	12	78				
TOT	12	1	2	3	4	5	6	7	8	9	10	11	12	1	2	3	4	5	6	7	8	9	10	11	12	20757			
AM PEAK HOUR 1100 TO 1200 VOLUME 1135														PM PEAK HOUR 0445 TO 0545 VOLUME 1928														AM TOTAL 6736	PM TOTAL 14021

06/30/04	WEDNESDAY	AM HOURS												PM HOURS												DAILY TOTAL			
		1	2	3	4	5	6	7	8	9	10	11	12	1	2	3	4	5	6	7	8	9	10	11	12				
00-15	12	1	2	3	4	5	6	7	8	9	10	11	12	1	2	3	4	5	6	7	8	9	10	11	12	93			
15-30	1	2	3	4	5	6	7	8	9	10	11	12	1	2	3	4	5	6	7	8	9	10	11	12	93				
30-45	1	2	3	4	5	6	7	8	9	10	11	12	1	2	3	4	5	6	7	8	9	10	11	12	56				
45-00	1	2	3	4	5	6	7	8	9	10	11	12	1	2	3	4	5	6	7	8	9	10	11	12	70				
TOT	12	1	2	3	4	5	6	7	8	9	10	11	12	1	2	3	4	5	6	7	8	9	10	11	12	20877			
AM PEAK HOUR 0715 TO 0815 VOLUME 1029														PM PEAK HOUR 0515 TO 0615 VOLUME 1921														AM TOTAL 6627	PM TOTAL 14250

SR 014 MP 007.92 OFF SYSTEM ID. LEG 1 DIRECTION OF TRAFFIC EASTBOUND LANE 2 OF 2

COUNT IDENTIFIER 04-001 COUNTER NUMBER 278600 DESCRIPTION: ON SR 14 W/O SE 164TH AVE I/C

07/01/04 THURSDAY	AM HOURS												PM HOURS												DAILY TOTAL
	1	2	3	4	5	6	7	8	9	10	11	12	1	2	3	4	5	6	7	8	9	10	11	12	
12	1	2	3	4	5	6	7	8	9	10	11	12	1	2	3	4	5	6	7	8	9	10	11	12	238
TOT	129	105	84	149	306	780	992	958	884	958	1108	1158	1210	1435	1581	1742	1865	1479	1119	1012	828	581	392	21093	

AM PEAK HOUR 1100 TO 1200 VOLUME 1108
PM PEAK HOUR 0445 TO 0545 VOLUME 1882

07/02/04 FRIDAY	AM HOURS												PM HOURS												DAILY TOTAL
	1	2	3	4	5	6	7	8	9	10	11	12	1	2	3	4	5	6	7	8	9	10	11	12	
12	1	2	3	4	5	6	7	8	9	10	11	12	1	2	3	4	5	6	7	8	9	10	11	12	238
TOT	151	102	98	116	271	749	906	902	827	430															4790

AM PEAK HOUR 0715 TO 0815 VOLUME 964
PM PEAK HOUR 0000 TO 0000 VOLUME 0

SR 014 MP 007.92 OFF SYSTEM ID. LEG 1 DIRECTION OF TRAFFIC EASTBOUND LANE 12 OF 2
 COUNT IDENTIFIER 04-001 COUNTER NUMBER 278600 DESCRIPTION: ON SR 14 W/O SE 164TH AVE I/C

07/01/04 THURSDAY	AM HOURS												PM HOURS												DAILY TOTAL
	1	2	3	4	5	6	7	8	9	10	11	12	1	2	3	4	5	6	7	8	9	10	11	12	
12	1	2	3	4	5	6	7	8	9	10	11	12	1	2	3	4	5	6	7	8	9	10	11	12	42950
TOT	465	248	197	149	231	649	1382	1979	2141	1830	1877	2148	2404	2523	2832	3193	3463	3735	3058	2461	2088	1802	1252	843	13296
	AM PEAK HOUR 0730 TO 0830 VOLUME 2210												AM PEAK HOUR 0445 TO 0545 VOLUME 3770												AM TOTAL 9680
	PM PEAK HOUR 0445 TO 0545 VOLUME 3770																								PM TOTAL 29654

07/02/04 FRIDAY	AM HOURS												PM HOURS												DAILY TOTAL
	1	2	3	4	5	6	7	8	9	10	11	12	1	2	3	4	5	6	7	8	9	10	11	12	
12	1	2	3	4	5	6	7	8	9	10	11	12	1	2	3	4	5	6	7	8	9	10	11	12	9680
TOT	474	292	214	173	214	555	1274	1830	1947	1802	905														9680
	AM PEAK HOUR 0745 TO 0845 VOLUME 2020												AM PEAK HOUR 0000 TO 0000 VOLUME 0												AM TOTAL 9680
	PM PEAK HOUR 0000 TO 0000 VOLUME 0																								PM TOTAL 0

06/28/04 THRU 07/02/04
 TOTAL HOURS FOR COUNT 94

3 DAYS
 AVG WEEKDAY VOL 42616 X SEASONAL ADJ. FACTOR 0.9000 = 38354
 FACTOR GROUP GR-02
 FACTOR GROUP GR-A2
 X AXLE CORR FACTOR 0.9493 = ESTIMATED AVG DAILY TRAFFIC 36409

TRIP SYSTEM
15 MINUTE TRAFFIC COUNT SUMMARY

SR 014 MP 007.92 OFF SYSTEM ID. LEG 1 DIRECTION OF TRAFFIC BOTH WAYS LANE ALL OF

COUNT IDENTIFIER 04-001 COUNTER NUMBER 278600 DESCRIPTION: ON SR 14 W/O SE 164TH AVE I/C

06/28/04	MONDAY												AM HOURS	PM HOURS	DAILY TOTAL										
	1	2	3	4	5	6	7	8	9	10	11	12													
00-15	12	1	2	3	4	5	6	7	8	9	10	11	12												
15-30	1	2	3	4	5	6	7	8	9	10	11	12	1199	1185	1388	1455	1577	1461	804	571	545	367	249		
30-45													1244	1285	1384	1446	1777	1361	697	546	529	398	237		
45-00													1131	1408	1525	1609	1667	967	613	569	489	292	227		
HOUR													1216	1153	1324	1554	1544	844	623	523	425	288	196		
TOT													1216	4727	5202	5851	6054	6579	4633	2737	2209	1988	1345	909	43450

AM PEAK HOUR 0000 TO 0000 VOLUME 0
PM PEAK HOUR 0500 TO 0600 VOLUME 6579
TUBE UP W/B LN. 1 of 2

06/29/04	TUESDAY												AM HOURS	PM HOURS	DAILY TOTAL													
	1	2	3	4	5	6	7	8	9	10	11	12																
00-15	12	1	2	3	4	5	6	7	8	9	10	11	12															
15-30	1	2	3	4	5	6	7	8	9	10	11	12	896	801	978	1147	1154	1189	1200	1368	1477	1679	1458	1071	801	727	513	310
30-45													972	826	1076	1170	1197	1254	1331	1393	1592	1768	1438	960	734	702	494	310
45-00													956	830	1095	1240	1203	1246	1342	1494	1582	1703	1278	933	740	635	422	303
HOUR													863	1005	1060	1207	1165	1215	1303	1468	1656	1489	1159	842	707	633	386	253
TOT	543	306	286	239	472	1548	3281	4169	3687	3462	4209	4764	4717	4904	5176	5723	6307	6639	5333	3806	2982	2697	1815	1176	78241			

AM PEAK HOUR 1100 TO 1200 VOLUME 4764
PM PEAK HOUR 0445 TO 0545 VOLUME 6806
TUBE UP W/B LN 1 of 2

06/30/04	WEDNESDAY												AM HOURS	PM HOURS	DAILY TOTAL																			
	1	2	3	4	5	6	7	8	9	10	11	12																						
00-15	12	1	2	3	4	5	6	7	8	9	10 <td></td> <td></td> <td></td>																							
15-30	1	2	3	4	5	6	7	8	9	10	11	12	87	68	84	331	845	1309	1336	1184	1040	1127	1186	1169	1297	1344	1542	1672	1530	1068	813	771	520	334
30-45												128	110	127	433	1137	1413	1328	1160	1075	1144	1166	1351	1306	1461	1555	1687	1444	990	778	668	538	301	
45-00												85	103	262	749	1376	1538	1366	1191	1128	1155	1200	1252	1421	1571	1581	1662	1353	926	768	705	523	267	
HOUR												104	107	249	710	1380	1550	1294	1185	1135	1145	1222	1275	1313	1643	1618	1547	1210	795	725	657	365	247	
TOT	635	363	404	388	722	2223	4738	5810	5324	4720	4378	4571	4774	5047	5337	6019	6296	6568	5537	3779	3084	2801	1946	1149	86613									

AM PEAK HOUR 0715 TO 0815 VOLUME 5837
PM PEAK HOUR 0445 TO 0545 VOLUME 6639
AM TOTAL 34276
PM TOTAL 52337

SR 014 MP 007.92 OFF SYSTEM ID. LEG 1 DIRECTION OF TRAFFIC BOTH WAYS LANE ALL OF

COUNT IDENTIFIER 04-001 COUNTER NUMBER 278600 DESCRIPTION: ON SR 14 W/O SE 164TH AVE I/C

07/01/04 THURSDAY	AM HOURS												PM HOURS	DAILY TOTAL											
	1	2	3	4	5	6	7	8	9	10	11	12													
12	1	2	3	4	5	6	7	8	9	10	11	12	1	2	3	4	5	6	7	8	9	10	11	12	86846
TOT	752	386	364	372	684	2193	4537	5612	5182	4461	4760	4915	5102	5404	6040	6199	6552	5317	4017	3283	2919	2051	1343	35704	

AM PEAK HOUR 0700 TO 0800 VOLUME 5612
 PM PEAK HOUR 0445 TO 0545 VOLUME 6591

07/02/04 FRIDAY	AM HOURS												PM HOURS	DAILY TOTAL											
	1	2	3	4	5	6	7	8	9	10	11	12													
12	1	2	3	4	5	6	7	8	9	10	11	12	1	2	3	4	5	6	7	8	9	10	11	12	19472
TOT	742	499	361	422	634	1914	3008	3650	3475	3187	1580	1180	1180	1180	1180	1180	1180	1180	1180	1180	1180	1180	1180	3783	

TOROP WB LN
 1 of 2

06/28/04 THRU 07/02/04 TOTAL HOURS FOR COUNT 93
 DAYS 81730 FACTOR GROUP GR-02
 AVG WEEKDAY VOL 83900 X SEASONAL ADJ. FACTOR 0.9000 = 75510 X AXLE CORR FACTOR 0.9493 = ESTIMATED AVG DAILY TRAFFIC 74100
 PEAK HOUR PERCENTAGES: K = 7.85 D = 56.44
 PEAK HOUR LOCATION : VOLUME = 6806 DATE: 06/29/04 TIME: 04:45 PM

78057

74100



Diamond Traffic Counter

Interval 60 Min. 15 Min.

Raw Collect Axle
 Binned (CL/SP) Speed X Axle
 Count (Vol) Speed

Enabled Lane No. 1 2 9 10

Direction Channel 1 NB SR 14 WB LANE 2 OF 2
 Direction Channel 2 WB SR 14 R 2 COBBLE LANE 1 OF 2
 Direction Channel 9 _____
 Direction Channel 10 _____
 TAM Card No. 83173

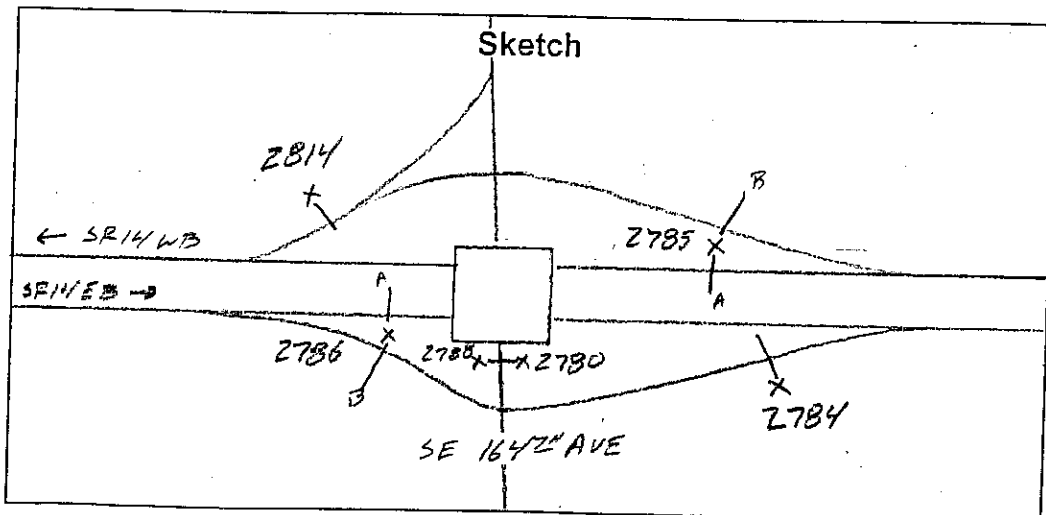
Counter No. 2785 Count ID SP# 04-001

SR 14 RRT _____ MP 9.02
0.00

Leg 2 Direction WB OSID _____

Station Description - ON SR 14 E/O SE 164TH AVE I/C

Date	Day	Time	Comments
6-28-04	2	1230	Manual A B Counter A B 6.5v
6-29	3	0951	Manual A 28 B Counter A 28 B SET COUNTER OK C+DB TUBE UP FIXED @ 0952 OK C+DB 6.5
6-30	4	1320	Manual A 11 B Counter A 11 B OK C+DB 6.5v
7-1	5	1345	Manual A B Counter A B OK C+DB 6.5v
7-2	6	1102	Manual A B Counter A B PICK UP OF C+DB



D BLAKE ? C. JOBE
Field Person



Diamond Traffic Counter

Interval 60 Min. 15 Min.

Raw Collect Axle **LANE**

Binned (CL/SP) Speed X Axle **1 OF 2**

Count (Vol) Speed

Enabled Lane No. 1 2 9 10

Direction Channel 1 _____

Direction Channel 2 _____

Direction Channel 9 _____

Direction Channel 10 _____

TAM Card No. 83173

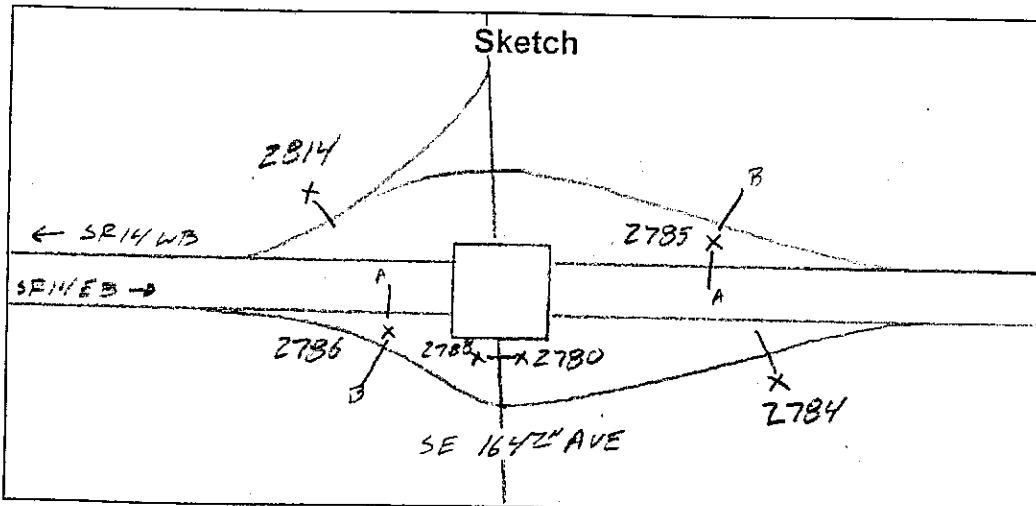
Counter No. 2784 Count ID SP# 04-001

SR 14 RRT ~~Q1 00902~~ MP 9.02
0.00

Leg 2 Direction EB OSID _____

Station Description - ON SR 14 ON RAMP (Q1 00902) FROM SE 164TH AVE
ON SR 14 E/O SE 164TH AVE I/C

Date	Day	Time	Comments
6-28-04	2	1207	Manual A _____ B _____ Counter A _____ B _____ SET COUNTER OK C+DB 67
6-29	3	0925	Manual A <u>7</u> B _____ Counter A <u>7</u> B _____ OK C+DB
6-30	4	1300	Manual A <u>10</u> B _____ Counter A <u>10</u> B _____ OK C+DB 6.5v
7-1	5	1330	Manual A <u>16</u> B _____ Counter A <u>16</u> B _____ OK C+DB 6.5v
7-2	6	1048	Manual A _____ B _____ Counter A _____ B _____ TUBE HAS HOLE IN IT STILL COUNTING PICK UP POK C+DB



D BLAKE? C. JOBE

Field Person



Diamond Traffic Counter

Interval 60 Min. 15 Min.

Raw Collect Axle
 Binned (CL/SP) Speed X Axle
 Count (Vol) Speed

Enabled Lane No. 1 2 9 10

Direction Channel 1 EB A - SR 14 EB LANE 2 OF 2

Direction Channel 2 B - P1 0079Z U

Direction Channel 9 _____

Direction Channel 10 _____

TAM Card No. 83173

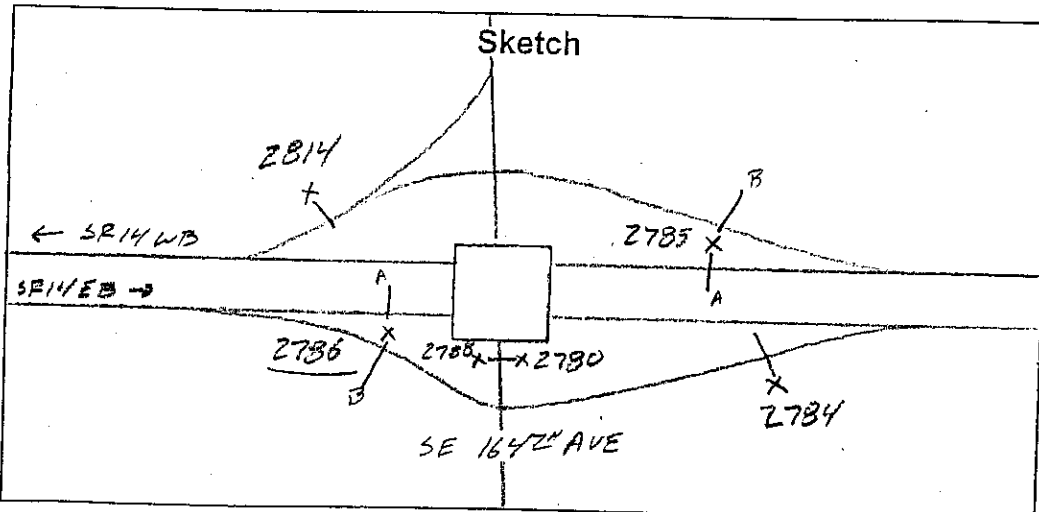
Counter No. 2786 Count ID SP# 04-001

SR 14 RRT _____ MP 9.02

Leg 2 Direction SEE A, B OSID _____

Station Description - ON SR 14 E/O SE 164TH AVE I/C

Date	Day	Time	Comments
6-28-04	2	1145	Manual A 10 B 3 Counter A 10 B 3 6.2v SET COUNTER OK CS+DB
6-29	3	0916	Manual A 48 B 32 Counter A 48 B 32 6.2v OK CS
6-30	4	1246	Manual A 46 B 39 Counter A 46 B 39 6.2v OK DB
7-1	5	1339	Manual A 50 B 50 Counter A 50 B 50 6.2v OK CS+DB
7-2	6	1037	Manual A _____ B _____ Counter A _____ B _____ 6.2v PICK UP OK CS+DB



D BLAKE ? C. JOBE
Field Person

SR 014 MP 009.02 OFF SYSTEM ID. LEG 2 DIRECTION OF TRAFFIC WESTBOUND LANE 1 OF 2
 COUNT IDENTIFIER 04-001 COUNTER NUMBER 278500 DESCRIPTION: ON SR 14 E/O SE 164TH AVE I/C

06/28/04	MONDAY	AM HOURS												PM HOURS					DAILY						
12	1	2	3	4	5	6	7	8	9	10	11	12	1	2	3	4	5	6	7	8	9	10	11	12	TOTAL
12	1	2	3	4	5	6	7	8	9	10	11	12	1	2	3	4	5	6	7	8	9	10	11	12	163
1	2	3	4	5	6	7	8	9	10	11	12	1	2	3	4	5	6	7	8	9	10	11	12	1633	
TOT																									4787

AM PEAK HOUR 0000 TO 0030 VOLUME 83
 PM PEAK HOUR 0330 TO 0430 VOLUME 381
 AM PEAK HOUR 1015 TO 1115 VOLUME 373
 PM PEAK HOUR 0315 TO 0415 VOLUME 423

06/29/04	TUESDAY	AM HOURS												PM HOURS					DAILY						
12	1	2	3	4	5	6	7	8	9	10	11	12	1	2	3	4	5	6	7	8	9	10	11	12	TOTAL
12	1	2	3	4	5	6	7	8	9	10	11	12	1	2	3	4	5	6	7	8	9	10	11	12	1633
1	2	3	4	5	6	7	8	9	10	11	12	1	2	3	4	5	6	7	8	9	10	11	12	1633	
TOT																									4787

AM PEAK HOUR 1030 TO 1130 VOLUME 340
 PM PEAK HOUR 0330 TO 0430 VOLUME 427

06/30/04	WEDNESDAY	AM HOURS												PM HOURS					DAILY						
12	1	2	3	4	5	6	7	8	9	10	11	12	1	2	3	4	5	6	7	8	9	10	11	12	TOTAL
12	1	2	3	4	5	6	7	8	9	10	11	12	1	2	3	4	5	6	7	8	9	10	11	12	1986
1	2	3	4	5	6	7	8	9	10	11	12	1	2	3	4	5	6	7	8	9	10	11	12	1986	
TOT																									5407

AM PEAK HOUR 1015 TO 1115 VOLUME 373
 PM PEAK HOUR 0315 TO 0415 VOLUME 423

Tube up

Tube up

STATE OF WASHINGTON - DEPARTMENT OF TRANSPORTATION
TRIP SYSTEM
15 MINUTE TRAFFIC COUNT SUMMARY

SR 014 MP 009.02 OFF SYSTEM ID. LEG 2 DIRECTION OF TRAFFIC WESTBOUND LANE 1 OF 2

COUNT IDENTIFIER 04-001 COUNTER NUMBER 278500 DESCRIPTION: ON SR 14 E/O SE 164TH AVE I/C

07/01/04 THURSDAY	AM HOURS												PM HOURS												DAILY TOTAL
	1	2	3	4	5	6	7	8	9	10	11	12	1	2	3	4	5	6	7	8	9	10	11	12	
12	1	2	3	4	5	6	7	8	9	10	11	12	1	2	3	4	5	6	7	8	9	10	11	12	1518
18	3	6	3	2	5	28	37	82	79	95	92	103	87	102	110	110	120	76	64	48	57	28	19	2030	
15-30	8	6	3	2	21	46	74	94	94	96	71	119	119	83	86	116	90	78	61	42	45	36	22	3471	
30-45	11	2	3	4	19	59	87	75	79	81	79	115	93	78	98	98	89	73	54	41	48	29	24		
45-00	4	3	5	3	25	70	96	90	89	98	71	97	78	106	118	113	84	78	56	49	35	24	20		
TOT	41	14	17	12	70	203	294	317	341	370	334	386	377	369	412	437	383	305	235	180	185	117	85	5501	
								AM PEAK HOUR 1000 TO 1100 VOLUME	370					PM PEAK HOUR 0415 TO 0515 VOLUME	447							AM TOTAL	2030		
								PM PEAK HOUR 0000 TO 0000 VOLUME	360													PM TOTAL	3471		

07/02/04 FRIDAY	AM HOURS												PM HOURS												DAILY TOTAL
	1	2	3	4	5	6	7	8	9	10	11	12	1	2	3	4	5	6	7	8	9	10	11	12	
12	1	2	3	4	5	6	7	8	9	10	11	12	1	2	3	4	5	6	7	8	9	10	11	12	1518
00-15	12	6	6	1	4	30	45	76	88	88	70														2030
15-30	10	8	4	5	14	36	61	67	82	78															3471
30-45	8	6	3	1	14	39	86	52	104	85															
45-00	4	3	7	1	23	38	68	81	86	89															
TOT	34	23	20	8	55	143	260	276	360	322															5501
								AM PEAK HOUR 0900 TO 1000 VOLUME	360													AM TOTAL	1518		
								PM PEAK HOUR 0000 TO 0000 VOLUME	0													PM TOTAL	0		

SR 014 MP 009.02 OFF SYSTEM ID. LEG 2 DIRECTION OF TRAFFIC WESTBOUND LANE 2 OF 2

COUNT IDENTIFIER 04-001 COUNTER NUMBER 278500 DESCRIPTION: ON SR 14 E/O SE 164TH AVE I/C

COUNT IDENTIFIER	COUNTER NUMBER	AM HOURS												DAILY TOTAL	
		1	2	3	4	5	6	7	8	9	10	11	12		
06/28/04 MONDAY		12	1	2	3	4	5	6	7	8	9	10	11	12	9716
00-15		1	2	3	4	5	6	7	8	9	10	11	12		
15-30		1	2	3	4	5	6	7	8	9	10	11	12		
30-45		1	2	3	4	5	6	7	8	9	10	11	12		
45-00		1	2	3	4	5	6	7	8	9	10	11	12		
HOUR		1	2	3	4	5	6	7	8	9	10	11	12		
TOT		12	1	2	3	4	5	6	7	8	9	10	11	12	9716

AM PEAK HOUR 0000 TO 0000 VOLUME 0
 PM PEAK HOUR 0330 TO 0430 VOLUME 1384
 AM TOTAL 9716
 PM TOTAL 0

COUNT IDENTIFIER	COUNTER NUMBER	AM HOURS												DAILY TOTAL	
		1	2	3	4	5	6	7	8	9	10	11	12		
06/29/04 TUESDAY		12	1	2	3	4	5	6	7	8	9	10	11	12	10806
00-15		1	2	3	4	5	6	7	8	9	10	11	12		
15-30		1	2	3	4	5	6	7	8	9	10	11	12		
30-45		1	2	3	4	5	6	7	8	9	10	11	12		
45-00		1	2	3	4	5	6	7	8	9	10	11	12		
HOUR		1	2	3	4	5	6	7	8	9	10	11	12		
TOT		12	1	2	3	4	5	6	7	8	9	10	11	12	10806

AM PEAK HOUR 0700 TO 0800 VOLUME 2137
 PM PEAK HOUR 0445 TO 0545 VOLUME 1370
 AM TOTAL 10806
 PM TOTAL 10828

COUNT IDENTIFIER	COUNTER NUMBER	AM HOURS												DAILY TOTAL	
		1	2	3	4	5	6	7	8	9	10	11	12		
06/30/04 WEDNESDAY		12	1	2	3	4	5	6	7	8	9	10	11	12	21745
00-15		1	2	3	4	5	6	7	8	9	10	11	12		
15-30		1	2	3	4	5	6	7	8	9	10	11	12		
30-45		1	2	3	4	5	6	7	8	9	10	11	12		
45-00		1	2	3	4	5	6	7	8	9	10	11	12		
HOUR		1	2	3	4	5	6	7	8	9	10	11	12		
TOT		12	1	2	3	4	5	6	7	8	9	10	11	12	21745

AM PEAK HOUR 0700 TO 0800 VOLUME 2066
 PM PEAK HOUR 0330 TO 0430 VOLUME 1439
 AM TOTAL 10911
 PM TOTAL 10834

TRIP SYSTEM
15 MINUTE TRAFFIC COUNT SUMMARY

SR 014 MP 009.02 OFF SYSTEM ID. LEG 2 DIRECTION OF TRAFFIC WESTBOUND LANE 2 OF 2

COUNT IDENTIFIER 04-001 COUNTER NUMBER 278500 DESCRIPTION: ON SR 14 E/O SE 164TH AVE I/C

07/01/04	THURSDAY												DAILY TOTAL												
	AM HOURS						PM HOURS																		
12	1	2	3	4	5	6	7	8	9	10	11	12	1	2	3	4	5	6	7	8	9	10	11	12	
61	26	17	23	25	105	311	463	381	292	316	322	333	283	278	355	320	356	292	183	132	145	108	65		
25	23	17	20	55	182	424	480	409	361	318	314	319	260	284	356	347	306	283	203	145	115	88	61		
42	12	40	38	67	250	494	578	406	355	342	335	310	313	325	401	316	307	257	166	108	124	91	79		
22	17	23	24	91	263	437	504	396	342	312	320	290	355	347	367	313	325	214	173	162	120	71	42		
TOT	150	78	97	105	238	800	1666	2025	1592	1350	1288	1291	1252	1211	1234	1459	1296	1294	1046	725	547	504	358	247	
									AM PEAK HOUR 0700 TO 0800 VOLUME 2025												AM TOTAL 10680				
									PM PEAK HOUR 0300 TO 0400 VOLUME 1459													PM TOTAL 11173			

07/02/04	FRIDAY												DAILY TOTAL												
	AM HOURS						PM HOURS																		
12	1	2	3	4	5	6	7	8	9	10	11	12	1	2	3	4	5	6	7	8	9	10	11	12	
37	36	23	30	47	111	281	420	405	347	334	334														
42	26	12	46	47	149	376	440	403	326	333	333														
31	30	24	26	66	218	452	492	372	335	331	331														
19	21	21	35	57	224	397	435	326	363	334	334														
TOT	129	113	80	137	217	702	1506	1787	1506	1371	1332														
									AM PEAK HOUR 0700 TO 0800 VOLUME 1787													AM TOTAL 8880			
									PM PEAK HOUR 0000 TO 0000 VOLUME 0														PM TOTAL 0		

SR 014 MP 009.02 OFF SYSTEM ID. LEG 2 DIRECTION OF TRAFFIC EASTBOUND LANE 1 OF 2
 COUNT IDENTIFIER 04-001 COUNTER NUMBER 278400 DESCRIPTION: ON SR 14 E/O SE 164TH AVE I/C

07/01/04 THURSDAY	AM HOURS												PM HOURS												DAILY TOTAL
	1	2	3	4	5	6	7	8	9	10	11	12	1	2	3	4	5	6	7	8	9	10	11	12	
12	1	2	3	4	5	6	7	8	9	10	11	12	1	2	3	4	5	6	7	8	9	10	11	12	1189
TOT	38	38	27	11	32	75	235	262	252	207	265	281	346	382	378	360	456	377	339	278	241	200	144	90	5314

AM PEAK HOUR 1045 TO 1145 VOLUME 305
 PM PEAK HOUR 0400 TO 0500 VOLUME 456

AM TOTAL 1723
 PM TOTAL 3591

07/02/04 FRIDAY	AM HOURS												PM HOURS												DAILY TOTAL
	1	2	3	4	5	6	7	8	9	10	11	12	1	2	3	4	5	6	7	8	9	10	11	12	
12	1	2	3	4	5	6	7	8	9	10	11	12	1	2	3	4	5	6	7	8	9	10	11	12	1189
TOT	38	28	19	9	36	60	187	193	204	236	179														1189

Hole in Tube

AM PEAK HOUR 0930 TO 1030 VOLUME 274
 PM PEAK HOUR 0000 TO 0000 VOLUME 0

AM TOTAL 1189
 PM TOTAL 0

SR 014 MP 009.02 OFF SYSTEM ID. LEG 2 DIRECTION OF TRAFFIC EASTBOUND LANE 2 OF 2

COUNT IDENTIFIER 04-001 COUNTER NUMBER 278600 * DESCRIPTION: ON SR 14 E/O SE 164TH AVE I/C

06/28/04	MONDAY	AM HOURS												PM HOURS												DAILY TOTAL
		1	2	3	4	5	6	7	8	9	10	11	12	1	2	3	4	5	6	7	8	9	10	11	12	
12	1	2	3	4	5	6	7	8	9	10	11	12	1	2	3	4	5	6	7	8	9	10	11	12	13716	
00-15																										
15-30																										
30-45																										
45-00																										
TOT																										

AM PEAK HOUR 0000 TO 0000 VOLUME 0
 PM PEAK HOUR 0515 TO 0615 VOLUME 2000
 AM TOTAL 13716
 PM TOTAL 0

06/29/04	TUESDAY	AM HOURS												PM HOURS												DAILY TOTAL
		1	2	3	4	5	6	7	8	9	10	11	12	1	2	3	4	5	6	7	8	9	10	11	12	
12	1	2	3	4	5	6	7	8	9	10	11	12	1	2	3	4	5	6	7	8	9	10	11	12	20757	
00-15																										
15-30																										
30-45																										
45-00																										
TOT																										

AM PEAK HOUR 1100 TO 1200 VOLUME 1135
 PM PEAK HOUR 0445 TO 0545 VOLUME 1928
 AM TOTAL 6736
 PM TOTAL 14021

06/30/04	WEDNESDAY	AM HOURS												PM HOURS												DAILY TOTAL
		1	2	3	4	5	6	7	8	9	10	11	12	1	2	3	4	5	6	7	8	9	10	11	12	
12	1	2	3	4	5	6	7	8	9	10	11	12	1	2	3	4	5	6	7	8	9	10	11	12	20877	
00-15																										
15-30																										
30-45																										
45-00																										
TOT																										

AM PEAK HOUR 0715 TO 0815 VOLUME 1029
 PM PEAK HOUR 0515 TO 0615 VOLUME 1921
 AM TOTAL 6627
 PM TOTAL 14250

SR 014 MP 009.02 OFF SYSTEM ID. LEG 2 DIRECTION OF TRAFFIC EASTBOUND LANE 12 OF 2

COUNT IDENTIFIER 04-001 COUNTER NUMBER 278600 * DESCRIPTION: ON SR 14 E/O SE 164TH AVE I/C

06/28/04 MONDAY	AM HOURS												PM HOURS												DAILY TOTAL
	1	2	3	4	5	6	7	8	9	10	11	12	1	2	3	4	5	6	7	8	9	10	11	12	
12	1	2	3	4	5	6	7	8	9	10	11	12	1	2	3	4	5	6	7	8	9	10	11	12	16636
00-15																									
15-30																									
30-45																									
45-00																									
HOUR																									
TOT	12	1	2	3	4	5	6	7	8	9	10	11	12	1	2	3	4	5	6	7	8	9	10	11	16636

AM PEAK HOUR 0000 TO 0000 VOLUME 0
PM PEAK HOUR 0515 TO 0615 VOLUME 2385

06/29/04 TUESDAY	AM HOURS												PM HOURS												DAILY TOTAL
	1	2	3	4	5	6	7	8	9	10	11	12	1	2	3	4	5	6	7	8	9	10	11	12	
12	1	2	3	4	5	6	7	8	9	10	11	12	1	2	3	4	5	6	7	8	9	10	11	12	25602
00-15																									
15-30																									
30-45																									
45-00																									
HOUR																									
TOT	255	132	133	80	168	443	1024	1209	1165	1112	1219	1398	1425	1510	1722	1914	2243	2238	1825	1308	1021	1006	643	409	25602

AM PEAK HOUR 1100 TO 1200 VOLUME 1398
PM PEAK HOUR 0445 TO 0545 VOLUME 2295

06/30/04 WEDNESDAY	AM HOURS												PM HOURS												DAILY TOTAL
	1	2	3	4	5	6	7	8	9	10	11	12	1	2	3	4	5	6	7	8	9	10	11	12	
12	1	2	3	4	5	6	7	8	9	10	11	12	1	2	3	4	5	6	7	8	9	10	11	12	25960
00-15																									
15-30																									
30-45																									
45-00																									
HOUR																									
TOT	216	110	155	104	178	366	1038	1211	1191	1245	1223	1299	1458	1582	1708	2017	2193	2287	1938	1245	1086	1033	683	394	25960

AM PEAK HOUR 1100 TO 1200 VOLUME 1299
PM PEAK HOUR 0445 TO 0545 VOLUME 2320

DOT-RNBS15A-B

STATE OF WASHINGTON - DEPARTMENT OF TRANSPORTATION

TRIP SYSTEM
15 MINUTE TRAFFIC COUNT SUMMARY

DATE 10/28/04
TIME 09:16:21
PAGE 38

SR 014 MP 009.02 OFF SYSTEM ID. LEG 2 DIRECTION OF TRAFFIC EASTBOUND LANE 12 OF 2

COUNT IDENTIFIER 04-001 COUNTER NUMBER 278600 * DESCRIPTION: ON SR 14 E/O SE 164TH AVE I/C

07/01/04 THURSDAY	AM HOURS												PM HOURS												DAILY TOTAL
	1	2	3	4	5	6	7	8	9	10	11	12	1	2	3	4	5	6	7	8	9	10	11	12	
12	1	2	3	4	5	6	7	8	9	10	11	12	1	2	3	4	5	6	7	8	9	10	11	12	152
76	58	29	27	25	58	136	278	311	254	264	332	365	360	396	469	551	559	479	398	316	291	209	152		
15-30	88	54	41	33	39	216	298	284	246	316	345	424	405	428	501	509	600	473	351	327	259	181	124		
30-45	63	42	22	21	75	128	337	350	312	301	349	381	403	471	449	569	560	454	342	319	255	181	124		
45-00	49	33	40	14	42	112	326	328	279	342	363	334	424	518	522	569	523	412	306	291	223	154	82		
TOT	276	167	132	95	181	381	1015	1254	1210	1091	1223	1389	1504	1592	1813	1941	2198	2242	1818	1397	1253	1028	725	482	26407
									AM PEAK HOUR 1100 TO 1200 VOLUME 1389												AM TOTAL 8414				
									PM PEAK HOUR 0430 TO 0530 VOLUME 2297												PM TOTAL 17993				

07/02/04 FRIDAY	AM HOURS												PM HOURS												DAILY TOTAL
	1	2	3	4	5	6	7	8	9	10	11	12	1	2	3	4	5	6	7	8	9	10	11	12	
12	1	2	3	4	5	6	7	8	9	10	11	12	1	2	3	4	5	6	7	8	9	10	11	12	5932
90	59	40	25	20	39	127	234	308	253	286															
15-30	83	45	29	21	72	228	261	260	260	276															
30-45	55	36	31	23	47	109	292	294	247	281															
45-00	48	39	21	24	64	111	289	310	291	269															
TOT	276	179	121	107	152	331	936	1099	1106	1063	562														
									AM PEAK HOUR 0715 TO 0815 VOLUME 1173												AM TOTAL 5932				
									PM PEAK HOUR 0000 TO 0000 VOLUME 0												PM TOTAL 0				

Handwritten: Hole in floor
10/16/02

06/28/04 THRU 07/02/04 TOTAL HOURS FOR COUNT 93
3 DAYS AVG WEEKDAY VOL 25990 X SEASONAL ADJ. FACTOR 0.9000 = 23391 X AXLE CORR FACTOR 0.9262 = ESTIMATED AVG DAILY TRAFFIC 21665

FACTOR GROUP GR-02

FACTOR GROUP CB-24

SR 014 MP 009.02 OFF SYSTEM ID. LEG 2 DIRECTION OF TRAFFIC BOTH WAYS LANE ALL OF

COUNT IDENTIFIER 04-001 COUNTER NUMBER 278600 * DESCRIPTION: ON SR 14 E/O SE 164TH AVE I/C

06/28/04 MONDAY	12	1	2	3	4	5	6	7	8	9	10	11	12	TOTAL
AM HOURS	12	1	2	3	4	5	6	7	8	9	10	11	12	
PM HOURS														
TOT	12	1	2	3	4	5	6	7	8	9	10	11	12	28441
00-15														182
15-30														305
30-45														177
45-00														169
HOUR														144
TOT														28441

AM PEAK HOUR 0000 TO 0000 VOLUME 3953
 PM PEAK HOUR 0445 TO 0545 VOLUME 3953
 AM PEAK HOUR 0700 TO 0800 VOLUME 3603
 PM PEAK HOUR 0445 TO 0545 VOLUME 4026

Tue up LN 152 WB

06/29/04 TUESDAY	12	1	2	3	4	5	6	7	8	9	10	11	12	TOTAL
AM HOURS	12	1	2	3	4	5	6	7	8	9	10	11	12	
PM HOURS														
TOT	12	1	2	3	4	5	6	7	8	9	10	11	12	20777
00-15														201
15-30														167
30-45														188
45-00														161
HOUR														161
TOT	417	224	260	197	447	1362	3017	3603	2990	2574	2741	2945	3010	3044
														3223
														3632
														3946
														3883
														3102
														2196
														1777
														1655
														1061
														717
														52023

AM PEAK HOUR 0700 TO 0800 VOLUME 3603
 PM PEAK HOUR 0445 TO 0545 VOLUME 4026

Tue up LN 152 WB

06/30/04 WEDNESDAY	12	1	2	3	4	5	6	7	8	9	10	11	12	TOTAL
AM HOURS	12	1	2	3	4	5	6	7	8	9	10	11	12	
PM HOURS														
TOT	12	1	2	3	4	5	6	7	8	9	10	11	12	21233
00-15														199
15-30														191
30-45														162
45-00														133
HOUR														133
TOT	382	217	258	247	459	1266	3001	3581	3066	2967	2865	2924	3059	3135
														3397
														3775
														3888
														3923
														3219
														2167
														1828
														1678
														1125
														685
														53112

AM PEAK HOUR 0700 TO 0800 VOLUME 3581
 PM PEAK HOUR 0445 TO 0545 VOLUME 4025

TRIP SYSTEM
15 MINUTE TRAFFIC COUNT SUMMARY

SR 014 MP 009.02 OFF SYSTEM ID. LEG 2 DIRECTION OF TRAFFIC BOTH WAYS LANE ALL OF

COUNT IDENTIFIER 04-001 COUNTER NUMBER 278600 * DESCRIPTION: ON SR 14 E/O SE 164TH AVE I/C

07/01/04	THURSDAY	AM HOURS												PM HOURS												DAILY TOTAL
		1	2	3	4	5	6	7	8	9	10	11	12	1	2	3	4	5	6	7	8	9	10	11	12	
155	87	52	53	52	168	475	778	774	625	675	746	801	730	776	934	981	1035	847	645	496	493	345	236			
15-30	121	63	61	55	286	686	852	763	701	730	751	814	784	795	923	972	996	834	615	514	419	305	207			
30-45	116	56	65	63	397	890	1015	763	746	724	763	806	809	874	948	983	956	784	562	468	427	301	227			
45-00	75	53	68	41	139	400	833	819	710	752	754	721	857	971	1007	995	932	704	535	502	378	249	144			
TOT	467	259	246	212	436	1251	2884	3119	2782	2881	3014	3142	3180	3416	3812	3931	3919	3169	2357	1980	1717	1200	814			
								AM PEAK HOUR 0700 TO 0800 VOLUME 3573																AM TOTAL 21124		
								PM PEAK HOUR 0430 TO 0530 VOLUME 4009																PM TOTAL 32637		

53761

07/02/04	FRIDAY	AM HOURS												PM HOURS												DAILY TOTAL
		1	2	3	4	5	6	7	8	9	10	11	12	1	2	3	4	5	6	7	8	9	10	11	12	
139	101	69	56	68	154	438	699	789	688	690																
15-30	135	79	45	86	235	640	762	730	668	687																
30-45	94	72	58	50	121	341	783	872	671	720																
45-00	71	63	49	60	126	358	724	813	698	718																
TOT	439	315	221	252	386	1088	2585	3146	2888	2794	1377														15491	
																									AM TOTAL 15491	
																									PM TOTAL 0	

Inde in tube
W 1st 2 EB

06/28/04 THRU 07/02/04 TOTAL HOURS FOR COUNT 93

AVG WEEKDAY VOL 53457 FACTOR GROUP GR-02 48093

PEAK HOUR PERCENTAGES: K = 7.60 D = 57.00

PEAK HOUR LOCATION: VOLUME = 4026 DATE: 06/29/04 TIME: 04:45 PM

SEASONAL ADJ. FACTOR 0.9000 = 47669 X AXLE CORR FACTOR 0.9262 = ESTIMATED AVG DAILY TRAFFIC 44151