



0126

Interval  60 min.  15 min.

Count(volume)  Speed

Binned(CL/SP)  Raw

---

Lane No  1  2

Direction Channel 1 \_\_\_\_\_

Direction Channel 2 \_\_\_\_\_

Data Hog # 7058

Counter No. 3405-17 Count ID HPMS

SR 14 RRT/RRQ \_\_\_\_\_ MP 21.77

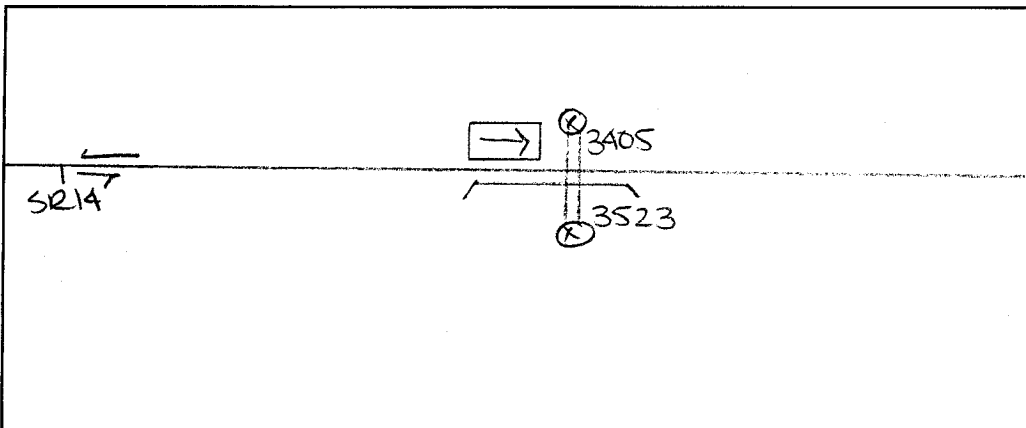
Leg — Direction WOB OSID \_\_\_\_\_

Station Description - ON SR 14 at Clark/Skamania County Line

NO RAIN... RECORDS... 011

Date	Day	Time	Comments
4/18/05	2	1215	Manual (1) <u>3</u> (2) _____ Counter (1) <u>3</u> (2) _____ Set as <u>CS</u> SET OK AH 6.7
4/19	3	0929	Manual (1) <u>12</u> (2) _____ Counter (1) <u>12</u> (2) _____ CNTR OK AH 6.4
4/20	4	1041	Manual (1) <u>12</u> (2) _____ Counter (1) <u>12</u> (2) _____ CNTR OK AH 6.4
4/21	5	0735	Manual (1) <u>9</u> (2) _____ Counter (1) <u>9</u> (2) _____ "A" tube up down @ 0735 CNTR OK AH 6.4
4/22	6	811	Manual (1) _____ (2) _____ Counter (1) _____ (2) _____ P/U CNTR AH/ 6.5

Sketch



*Attard*

Field Person



Interval  60 min.  15 min.

Count(volume)  Speed

Binned(CL/SP)  Raw

---

Lane No  1  2

Direction Channel 1 \_\_\_\_\_

Direction Channel 2 \_\_\_\_\_

Data Hog # 7058

Counter No. 3523-17 Count ID HPMS

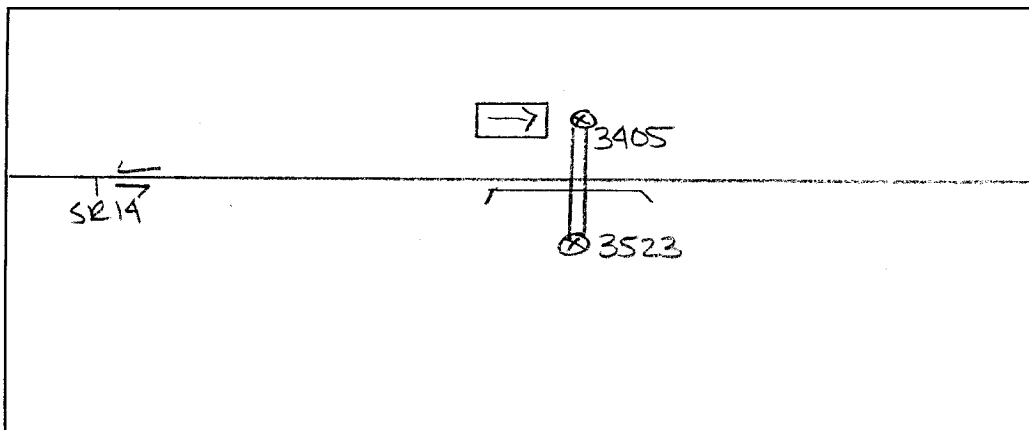
SR 14 RRT/RRQ \_\_\_\_\_ MP 21.77

Leg - Direction EB OSID \_\_\_\_\_

Station Description - ON SR14 at Clark/Skamania County Line

Date	Day	Time	Comments
4/18/05	2	1216	Manual (1) 1 (2) _____ Set as <u>CL</u> Counter (1) 1 (2) _____ SET OK AH 6.4
4/19	3	0935	Manual (1) 10 (2) _____ CNTROK AH Counter (1) 10 (2) _____ 6.4
4/20	4	1045	Manual (1) 17 (2) _____ CNTR OK AH Counter (1) 17 (2) _____ 6.5
4/21	5	0741	Manual (1) 7 (2) _____ "B" tube up down @ 734 Counter (1) 7 (2) _____ CNTR OK AH 3/4 msclsd at 3/4 6.4
4/22	6	811	Manual (1) _____ (2) _____ Counter (1) _____ (2) _____ P/U CNTR AH/ 6.4

Sketch



Alfred  
Field Person

SR 014 MP 021.77 OFF SYSTEM ID. LEG DESCRIPTION: ON SR 14 @ CLARK/SKAMANIA COUNTY LINE LANE ALL OF

COUNT IDENTIFIER HPMS COUNTER NUMBER 003405

04-18-05  
MONDAY  
AM HOURS  
12 - 1  
1 - 2  
2 - 3  
3 - 4  
4 - 5  
5 - 6  
6 - 7  
7 - 8  
8 - 9  
9 - 10  
10 - 11  
11 - 12  
PM HOURS  
12 - 1  
1 - 2  
2 - 3  
3 - 4  
4 - 5  
5 - 6  
6 - 7  
7 - 8  
8 - 9  
9 - 10  
10 - 11  
11 - 12  
PM HOURS

CARS PICKUPS	BUS MED	SINGLE UNITS HVY	4+	SINGLE UNIT %	DOUBLE UNITS 4-	5	6+	DOUBLE UNIT %	5-	6	7+	TRAIN %	TRUCK %	CLASS UNKNOWN	TOTAL VEHICLES
108			4	7.9	1	1	1	2.4			4	3.2	13.5		126
153		6	3	1.2	1	2	5	4.8		2	4	2.4	8.3	1	168
149		2	1	5.2	2	2	3	4.1			7	4.1	13.4		172
133		3		2.7	1	2	2	3.4			4	2.7	8.9		146
156		2		1.2		3	1	7.4			3	1.8	5.5		165
119		4		3.0		4	6	7.4			2	1.5	11.9		135
67		1		1.4		3	2	6.8			1	1.4	9.5		74
79						3	1	2.5			2	1.5	2.5		81
29						2	1	6.1			2	6.1	12.1		81
20						1	2	12.0			2	8.0	20.0		33
11						1	2	18.8			2	12.5	31.3		25
11						1	2	18.8			2	12.5	31.3		16
AM TOTAL	1024	23	9	2.8	5	22	25	4.6		2	29	2.7	10.1	2	1141
PM TOTAL	1024	23	9	2.8	5	22	25	4.6		2	29	2.7	10.1	2	1141
DAY TOTAL	1024	23	9	2.8	5	22	25	4.6		2	29	2.7	10.1	2	1141
-----															
2-AXLE EQUIVALENT															
1310															

SR 014	MP 021.77	OFF SYSTEM ID.	LEG	DIRECTION OF TRAFFIC	WESTBOUND	LANE ALL OF										
COUNT IDENTIFIER	HPMS	COUNTER NUMBER	003405	DESCRIPTION: ON SR 14 @ CLARK/SKAMANIA COUNTY LINE												
04-19-05																
TUESDAY																
AM HOURS	CARS PICKUPS	BUS MED	SINGLE UNITS HVY	4+	SINGLE UNIT %	DOUBLE UNITS 4-	5	6+	DOUBLE UNIT %	5-	TRAINS 6	7+	TRAIN %	TRUCK %	CLASS UNKNOWN	TOTAL VEHICLES
12 - 1	11	1	1		7.1		2	1	14.3		1	1	14.3	21.4		14
1 - 2	7								12.5					12.5		8
2 - 3	2								57.1					71.4		7
3 - 4	8								9.1					27.3		11
4 - 5	20								8.0					16.0		25
5 - 6	100								2.8					5.7		106
6 - 7	160								1.2					5.9		170
7 - 8	144								5.6					10.0		160
8 - 9	129								6.8					12.2		147
9 - 10	104								7.0					18.0		128
10 - 11	102								6.8					12.7		118
11 - 12	129								5.4					12.8		148
PM HOURS																
12 - 1	117								7.2					14.4		139
1 - 2	128								5.8					15.7		153
2 - 3	153								6.5					17.4		174
3 - 4	169								2.9					11.5		185
4 - 5	204								2.7					8.6		222
5 - 6	183								1.8					7.7		196
6 - 7	123								2.0					6.6		131
7 - 8	84								2.3					6.1		94
8 - 9	100								1.1					9.6		105
9 - 10	48								1.0					3.8		58
10 - 11	19								5.2					17.2		22
11 - 12	16								4.5					13.6		19
AM TOTAL	916								3.0					11.8		1042
PM TOTAL	1344								3.1					9.8		1498
DAY TOTAL	2260								3.0					10.6		2540
																2918

2-AXLE EQUIVALENT

SR 014 MP 021.77 OFF SYSTEM ID. LEG DESCRIPTION: ON SR 14 @ CLARK/SKAMANIA COUNTY LINE LANE ALL OF

04-20-05	WEDNESDAY	CARS PICKUPS	BUS MED	SINGLE UNITS HVY	4+	SINGLE UNIT %	DOUBLE UNITS 4-	5	6+	DOUBLE UNIT %	5-	6	7+	TRAIN %	TRUCK %	CLASS UNKNOWN	TOTAL VEHICLES
12 - 1	6		1		1	100.0			2	22.2					33.3		9
1 - 2	3					11.1				28.6		1	3	14.3	100.0		7
2 - 3	7					14.3				26.7			2	20.0	57.1		15
3 - 4	19					6.7				8.7			2	8.7	17.4		23
4 - 5	93									3.0		1	3	4.0	7.0		100
5 - 6	155									1.8			6	4.2	7.7		168
6 - 7	148									2.5		1	3	1.9	6.9		159
7 - 8	124									2.2			4	3.3	8.8		136
8 - 9	110									2.5		1	4	3.7	9.1		121
9 - 10	82									3.9			8	7.8	18.4		103
10 - 11	110									2.4			7	7.8	13.4		127
11 - 12	110									5.5			7	5.5	12.9		139
12 - 1	121									5.0			6	4.3	14.1		128
1 - 2	109		1							7.0			4	3.1	15.4		149
2 - 3	125									8.1			5	3.4	6.5		201
3 - 4	187									1.5			3	1.5	9.4		181
4 - 5	164									4.4		1	7	4.4	12.8		188
5 - 6	164									5.9			5	3.2	10.4		188
6 - 7	94									1.9		1	1	1.9	17.5		106
7 - 8	52									4.8			4	6.3	16.9		63
8 - 9	30		1							7.7			4	6.3	24		34
9 - 10															34		34
10 - 11															16		16
11 - 12															19		19
AM TOTAL	857					2.6				4.2		1	3	4.5	11.4		969
PM TOTAL	1046					4.7				3.7		1	2	2.9	11.3		1289
DAY TOTAL	1903		2	60	20	3	11	39	39	3.9	2	5	75	3.6	11.3	99	2258

2-AXLE EQUIVALENT

TUBE UP

STATE OF WASHINGTON - DEPARTMENT OF TRANSPORTATION  
TRIP SYSTEM  
HOURLY TRAFFIC CLASSIFICATION SUMMARY

SR 014	MP 021.77	OFF SYSTEM ID.	LEG	DESCRIPTION: ON SR 14 @ CLARK/SKAMANIA COUNTY LINE	LANE ALL OF													
COUNT IDENTIFIER	HPMS	COUNTER NUMBER	003405	DIRECTION OF TRAFFIC WESTBOUND														
04-21-05																		
THURSDAY																		
AM HOURS	CARS PICKUPS	BUS	SINGLE MED	HVY	4+	SINGLE UNIT %	DOUBLE UNITS 4-	5	6+	DOUBLE UNIT %	5-	6	7+	TRAIN %	TRUCK %	CLASS UNKNOWN	TOTAL VEHICLES	
12 - 1	61		2	1		1.8			2	1.8			2	1.2	4.9	95	158	
1 - 2	128		4	2		2.8			4	4.1			4	3.4	10.3	4	164	
2 - 3	102		2	2		3.3			4	9.8			5	4.1	17.1	6	145	
3 - 4	113	1	6	1		5.5	1		4	2.3	1		4	3.1	10.9	12	123	
4 - 5	103		4	1		4.0			3	8.1			4	4.0	16.1	85	128	
5 - 6	61		2	1		1.8			10	1.8			6	5.1	21.9	158	124	
6 - 7	106		8	1	1	7.3			6	9.5			4	3.0	14.8	95	164	
7 - 8	114		7	2		6.7			1	5.2			4	4.3	13.0	12	145	
8 - 9	140		7	2		5.6			6	4.3	1		4	3.1	13.0	12	145	
9 - 10	172		7	7		3.6	1		6	6.1			3	2.0	11.7	31	162	
10 - 11	134		4	4		2.6			8	7.1			4	3.9	13.5	85	197	
11 - 12	173		4	1		2.7			1	3.3			2	2.7	6.2	158	155	
PM HOURS	121		3	3		2.3			3	2.9			2	2.7	9.3	129	184	
12 - 1	68		2	1	1	4.0			1	2.7			2	2.6	13.0	75	129	
1 - 2	39	1	2	1		5.2			2	5.2			2	2.4	7.1	77	75	
2 - 3	67		2	1		4.0			2	4.8			1	5.6	11.1	42	77	
3 - 4	16		1	1		5.6			1	5.6			1	5.6	22.2	18	42	
4 - 5	39		1	1		5.6			1	5.6			2	11.1	22.2	18	42	
5 - 6	14		1	1		5.6			1	5.6			2	11.1	22.2	18	42	
6 - 7	16		1	1		5.6			1	5.6			2	11.1	22.2	18	42	
7 - 8	14		1	1		5.6			1	5.6			2	11.1	22.2	18	42	
8 - 9	14		1	1		5.6			1	5.6			2	11.1	22.2	18	42	
9 - 10	14		1	1		5.6			1	5.6			2	11.1	22.2	18	42	
10 - 11	14		1	1		5.6			1	5.6			2	11.1	22.2	18	42	
11 - 12	14		1	1		5.6			1	5.6			2	11.1	22.2	18	42	
AM TOTAL	507	1	18	4	2	2.3			13	3.4	1		19	2.1	7.9	401	986	
PM TOTAL	1164	1	44	8	2	4.1			46	5.3	1		29	2.6	12.0	5	1329	
DAY TOTAL	1671	2	62	12	2	3.4			59	4.5	1		48	2.4	10.3	406	2315	
																		2641

TUBE UP

SR 014 MP 021.77 OFF SYSTEM ID. LEG DESCRIPTION: ON SR 14 @ CLARK/SKAMANIA COUNTY LINE LANE ALL OF

COUNT IDENTIFIER	HPMS	COUNTER NUMBER	003405	DESCRIPTION	ON SR 14 @ CLARK/SKAMANIA COUNTY LINE										
04-22-05	FRIDAY	AM HOURS	CARS PICKUPS	BUS MED HVY	SINGLE UNITS 4+	SINGLE UNIT %	DOUBLE UNITS 4- 5	DOUBLE UNITS 6+	DOUBLE UNIT %	5- TRAINS 6	7+ TRAINS 7+	TRAIN %	TRUCK %	CLASS UNKNOWN	TOTAL VEHICLES
12 -	1	6	4	1	1	14.3	1	1	25.0	1	1	14.3	25.0	8	8
1 -	2	4	4	1	1	14.3	1	1	14.3	1	1	14.3	42.9	7	7
2 -	3	7	7	1	1	6.3	3	1	25.0	4	2	28.6	42.9	16	16
3 -	4	24	24	1	1	6.3	1	1	6.3	4	4	25.0	56.3	32	32
4 -	5	83	83	2	2	2.2	1	3	4.4	2	2	12.5	25.0	91	91
5 -	6	150	150	4	4	1.3	1	2	1.9	5	5	3.1	6.3	160	160
6 -	7	136	136	2	2	3.8	5	4	5.7	6	6	3.8	13.4	157	157
7 -	8														
8 -	9														
9 -	10														
10 -	11														
11 -	12														
AM TOTAL	414	7	7	7	7	2.9	14	12	5.4	24	24	5.0	13.4	478	478
PM TOTAL	414	7	7	7	7	2.9	14	12	5.4	24	24	5.0	13.4	478	478
DAY TOTAL	414	7	7	7	7	2.9	14	12	5.4	24	24	5.0	13.4	478	478

04-18-05 THRU 04-22-05

AVERAGE WEEKDAY CLASSIFICATION VOLUMES \*\*\*\*\*

CARS PICKUPS	BUS MED HVY	SINGLE UNITS 4+	SINGLE UNIT %	DOUBLE UNITS 4- 5	DOUBLE UNITS 6+	DOUBLE UNIT %	5- TRAINS 6	7+ TRAINS 7+	TRAIN %	TRUCK %	CLASS UNKNOWN	TOTAL VEHICLES
1945	2	60	16	2	3.4	9	48	52	4.6	2	5	59
AVG WEEKDAY	2	57	18	3	3.31	9	50	63	5.04	3	6	61
TOTAL HOURS FOR COUNT	2411	91	2371	2371	2371	2371	2371	2371	2371	2371	2371	2371
AVG WEEKDAY VOL	2411	2371	2371	2371	2371	2371	2371	2371	2371	2371	2371	2371

\*\*\*\*\*

2371 X SEASONAL ADJ. FACTOR 0.9400 = ESTIMATED AVG DAILY TRAFFIC 2229

STATE OF WASHINGTON - DEPARTMENT OF TRANSPORTATION  
TRIP SYSTEM  
HOURLY TRAFFIC CLASSIFICATION SUMMARY

DATE 06/07/05  
TIME 09:08:32  
PAGE 21

SR 014 MP 021.77 OFF SYSTEM ID. LEG DESCRIPTION: ON SR 14 @ CLARK/SKAMANIA COUNTY LINE LANE ALL OF

COUNT IDENTIFIER HPMS COUNTER NUMBER 003523 DIRECTION OF TRAFFIC EASTBOUND

04-18-05 MONDAY AM HOURS	CARS PICKUPS	BUS	SINGLE MED	UNITS HVY	4+	SINGLE UNIT %	DOUBLE 4-	UNITS 5	6+	DOUBLE UNIT %	5-	TRAINS 6	7+	TRAIN %	TRUCK %	CLASS UNKNOWN	TOTAL VEHICLES
12 - 1	1																117
1 - 2	2																154
2 - 3	3																181
3 - 4	4																216
4 - 5	5																191
5 - 6	6																107
6 - 7	7																107
7 - 8	8																64
8 - 9	9																61
9 - 10	10																37
10 - 11	11																34
11 - 12	12																34
PM HOURS																	
12 - 1	1																117
1 - 2	2																154
2 - 3	3																181
3 - 4	4																216
4 - 5	5																191
5 - 6	6																107
6 - 7	7																107
7 - 8	8																64
8 - 9	9																61
9 - 10	10																37
10 - 11	11																34
11 - 12	12																34
AM TOTAL	793																1290
PM TOTAL	793																1290
DAY TOTAL	793	23	371	3	3	30.8	16	35	3	4.2	1	6	22	2.2	37.2	17	1290
															2-AXLE EQUIVALENT	17	1435



STATE OF WASHINGTON - DEPARTMENT OF TRANSPORTATION  
 TRIP SYSTEM  
 HOURLY TRAFFIC CLASSIFICATION SUMMARY

SR 014 MP 021.77 OFF SYSTEM ID. COUNTER NUMBER 003523 LEG DESCRIPTION: ON SR 14 @ CLARK/SKAMANIA COUNTY LINE LANE ALL OF

DATE	TIME	CARS PICKUPS	BUS MED	SINGLE UNITS HVY	4+	SINGLE UNIT %	DOUBLE UNITS 4-	5	DOUBLE UNITS 6+	DOUBLE UNIT %	5-	TRAINS 6	7+	TRAIN %	TRUCK %	CLASS UNKNOWN	TOTAL VEHICLES
04-19-05	TUESDAY																
AM	12 - 1	10				33.3				5.6			1	5.6	44.4		18
AM	1 - 2	4				14.3				14.3			1	14.3	42.9		7
AM	2 - 3	4				33.3							1		33.3		6
AM	3 - 4	10				29.4				5.9			1	2.6	59.0		17
AM	4 - 5	16				43.6				12.8			1	3.6	67.9		39
AM	5 - 6	27				48.8				15.5			1	2.9	49.1		84
AM	6 - 7	57				32.8				14.7			1	1.7	45.2		116
AM	7 - 8	55				38.5				3.8			1	2.9	49.0		104
AM	8 - 9	73				40.3				7.4			1	1.3	47.8		149
AM	9 - 10	55				32.2				10.4			2	5.2	47.8		115
AM	10 - 11	65				37.8				7.1			3	2.4	47.2		127
AM	11 - 12	81				35.6				6.8			1	.7	43.2		146
PM	12 - 1	73				34.9				7.5			1	6.8	49.3		146
PM	1 - 2	69				39.3				5.7			2	3.6	48.6		140
PM	2 - 3	87				36.2				4.9			2	3.7	44.8		163
PM	3 - 4	115				38.6				4.8			2	1.0	44.3		210
PM	4 - 5	128				32.4				1.2			1	1.0	35.7		191
PM	5 - 6	92				28.8				2.6			2	1.0	32.5		149
PM	6 - 7	72				32.2				2.0			1	1.3	35.6		110
PM	7 - 8	46				25.5				8.2			1	.9	34.5		69
PM	8 - 9	50				24.6				7.2			1	1.4	33.3		70
PM	9 - 10	26				27.0				2.7			1	1.4	29.7		37
PM	10 - 11	14				29.2				1.7			2	8.3	37.5		24
PM	11 - 12																
AM TOTAL		457	21	315	6	37.4	60	18	6	9.1	1	7	16	2.5	48.9	17	928
PM TOTAL		927	25	474	6	32.6	27	28	9	4.1	1	8	28	2.4	39.2	18	1553
DAY TOTAL		1384	46	789	12	34.4	87	46	15	6.0	1	15	44	2.4	42.8	35	2481

2-AXLE EQUIVALENT 2822

STATE OF WASHINGTON - DEPARTMENT OF TRANSPORTATION  
TRIP SYSTEM  
HOURLY TRAFFIC CLASSIFICATION SUMMARY

SR 014 MP 021.77 OFF SYSTEM ID. COUNTER NUMBER 003523 LEG DESCRIPTION: ON SR 14 @ CLARK/SKAMANIA COUNTY LINE LANE ALL OF

DAY	TOTAL	CARS PICKUPS	BUS	SINGLE MED	SINGLE HVY	4+	SINGLE UNIT %	DOUBLE 4-	DOUBLE 5	DOUBLE 6+	DOUBLE UNIT %	5-	TRAINS 6	TRAINS 7+	TRAIN %	TRUCK %	CLASS UNKNOWN	TOTAL VEHICLES
04-20-05																		
WEDNESDAY																		
AM HOURS																		
12 - 1		17	1	4			20.8		1		4.2					25.0	1	24
1 - 2		6		3			30.0				10.0					40.0		10
2 - 3		6		3			36.4									45.5		11
3 - 4		3		2			70.0									70.0		10
4 - 5		5		2			20.0									40.0		10
5 - 6		19		20			51.1				2.1					57.4		11
6 - 7		35		24			35.9				4.4					50.0		10
7 - 8		49		47			46.2	1			4.7					53.8		10
8 - 9		50		44			44.9	2			4.7					52.3		10
9 - 10		72		42			35.3	3			8.7					45.7		11
10 - 11		61		42			35.5	4			7.3					50.0		12
11 - 12		64		48			39.7	5			8.8					50.0		13
PM HOURS																		
12 - 1		64		35			30.5	3			5.9					44.1		118
1 - 2		80		37			27.7	5			6.6					39.4		137
2 - 3		80		43			33.3	3			4.3					41.3		138
3 - 4		121		46			28.0	3			4.8					34.4		186
4 - 5		99		80			44.5	2			2.1					48.2		191
5 - 6		98		55			35.8	3			3.7					39.5		162
6 - 7		98		57			36.1	4			3.0					41.0		166
7 - 8		49		36			39.6	1			2.2					42.9		91
8 - 9		57		17			24.7	1			5.9					31.8		85
9 - 10		21					1.4									1.4		45
10 - 11																		24
11 - 12																		24
AM TOTAL	387						39.2	20			6.4					49.7		16
PM TOTAL	768						30.5	22			3.7					36.6		131
DAY TOTAL	1155						33.7	42			4.7					41.3		147
2-AXLE EQUIVALENT																		
																		2219
																		2534

TUBE  
UP

STATE OF WASHINGTON - DEPARTMENT OF TRANSPORTATION  
TRIP SYSTEM  
HOURLY TRAFFIC CLASSIFICATION SUMMARY

SR 014 MP 021.77 OFF SYSTEM ID. LEG DESCRIPTION: ON SR 14 @ CLARK/SKAMANIA COUNTY LINE LANE ALL OF

COUNT IDENTIFIER HPMS COUNTER NUMBER 003523

DAY	CARS PICKUPS	BUS	SINGLE MED	UNITS HVY	4+ UNIT %	DOUBLE 4-	UNITS 5	6+ UNIT %	DOUBLE 5-	TRAINS 6	7+ UNIT %	TRUCK %	CLASS UNKNOWN	TOTAL VEHICLES
04-21-05	1													16
THURSDAY	2													10
AM HOURS	3													10
12 - 1	4													10
1 - 2	5													10
2 - 3	6													10
3 - 4	7													10
4 - 5	8													10
5 - 6	9													10
6 - 7	10													10
7 - 8	11													10
8 - 9	12													10
9 - 10	1													11
10 - 11	1													11
11 - 12	1													11
PM HOURS	1													11
12 - 1	30	3	16		17.8	6	1	7.9	1	1	1.5	1.5	66	107
1 - 2	40	2	47		52.1	2	2	7.7	1	1	1.9	19.6	56	117
2 - 3	65	7	56	1	43.5	2	2	2.9	1	1	4.3	64.1	2	138
3 - 4	98	5	50	4	47.2	2	6	7.9	1	1	3.1	58.3	3	127
4 - 5	149	4	40		34.6	4	5	7.9			3.1	45.7	1	127
5 - 6	137	1	50		39.9	2	4	4.3	1	2	3.6	47.8	1	138
6 - 7	81	3	46	1	40.5	1	2	2.4		2	6.3	49.2	2	126
7 - 8	79	2	50		34.7	2	3	3.3	3	3	4.7	42.7	3	150
8 - 9	48	2	53		32.5	2	5	4.7	2	2	3.6	40.8	2	169
9 - 10	53	2	58	1	27.2	2	1	2.2	1	1	2.2	31.7	4	224
10 - 11	40	1	39		28.6	1	1	2.5			3.1	31.2	3	199
11 - 12	11	2	36	1	30.0	1	1	1.7	1	1	3.1	35.4	3	130
AM TOTAL	257	21	209	5	31.2	12	16	4.3	1	3	2.7	38.2	227	783
PM TOTAL	912	20	440	4	31.4	18	28	3.4	1	10	2.8	37.6	15	1486
DAY TOTAL	1169	41	649	9	31.3	30	44	3.7	1	13	2.7	37.8	242	2269
														2551

2-AXLE EQUIVALENT

108E  
11P

STATE OF WASHINGTON - DEPARTMENT OF TRANSPORTATION  
TRIP SYSTEM  
HOURLY TRAFFIC CLASSIFICATION SUMMARY

SR 014 MP 021.77 OFF SYSTEM ID. LEG DIRECTION OF TRAFFIC EASTBOUND LANE ALL OF  
COUNT IDENTIFIER HPMS COUNTER NUMBER 003523 DESCRIPTION: ON SR 14 @ CLARK/SKAMANIA COUNTY LINE

FRIDAY AM HOURS	CARS PICKUPS	BUS MED	SINGLE HVY	4+	SINGLE UNIT %	DOUBLE 4-	DOUBLE 5	DOUBLE 6+	DOUBLE UNIT %	5- TRAINS 6	7+ TRAINS 7+	TRAIN %	TRUCK %	CLASS UNKNOWN	TOTAL VEHICLES	
12 - 1	9	4	4	4	30.8				8.3				30.8		13	
1 - 2	8	2	2	2	16.7		1					7.7	25.0		12	
2 - 3	8	3	3	3	30.8						1	7.7	38.5		13	
3 - 4	5	2	2	2	45.5								45.5		11	
4 - 5	5	6	6	6	40.0		1		13.3			6.7	60.0		15	
5 - 6	14	14	14	14	50.0							3.3	53.3		30	
6 - 7	34	22	22	22	35.9		1		7.7			9.0	52.6		78	
7 - 8	71	43	43	43	35.3		3		6.0		1	4.5	45.9		133	
8 - 9																
9 - 10																
10 - 11																
11 - 12																
PM HOURS																
12 - 1	1															
1 - 2	2															
2 - 3	3															
3 - 4	4															
4 - 5	5															
5 - 6	6															
6 - 7	7															
7 - 8	8															
8 - 9	9															
9 - 10	10															
10 - 11	11															
11 - 12	12															
AM TOTAL	155	7	96	3	5	36.4	4	10	3	5.6	1	15	5.2	47.2	6	305
PM TOTAL																
DAY TOTAL	155	7	96	3	5	36.4	4	10	3	5.6	1	15	5.2	47.2	6	305

04-18-05 THRU 04-22-05

AVERAGE WEEKDAY CLASSIFICATION VOLUMES *****															
AVG WEEKDAY VOLUME	CARS PICKUPS	BUS MED	SINGLE HVY	4+	SINGLE UNIT %	DOUBLE 4-	DOUBLE 5	DOUBLE 6+	DOUBLE UNIT %	5- TRAINS 6	7+ TRAINS 7+	TRAIN %	TRUCK %	CLASS UNKNOWN	TOTAL VEHICLES
1236	44	708	10	9	33.2	53	45	14	4.8	1	12	50	2.7	40.7	141
1342	44	756	10	8	34.31	63	49	14	5.29	2	15	51	2.7	40.7	141
TOTAL HOURS FOR COUNT	2323	X SEASONAL ADJ. FACTOR 0.9400 = ESTIMATED AVG DAILY TRAFFIC	2184												2636
AVG WEEKDAY VOL	2323		2384												2725

2384

2184

2725

STATE OF WASHINGTON - DEPARTMENT OF TRANSPORTATION  
 TRIP SYSTEM  
 HOURLY TRAFFIC CLASSIFICATION SUMMARY

DATE 06/07/05  
 TIME 09:08:32  
 PAGE 26

SR 014 MP 021.77 OFF SYSTEM ID. LEG DESCRIPTION: ON SR 14 @ CLARK/SKAMANIA COUNTY LINE LANE ALL OF

04-18-05	COUNT IDENTIFIER	HPMS	COUNTER NUMBER	003523	DESCRIPTION: ON SR 14 @ CLARK/SKAMANIA COUNTY LINE	LANE ALL OF														
MONDAY	CARS PICKUPS	BUS	SINGLE UNITS	HVY	4+	SINGLE UNIT %	DOUBLE UNITS	4-	5	6+	DOUBLE UNIT %	5-	TRAINS	6	7+	TRAIN %	TRUCK %	CLASS UNKNOWN	TOTAL VEHICLES	
12	1					22.0				2	8.0		1		3	8.0	38.0	2	50	
11	1					22.6				2	6.5				2	3.2	32.4	2	94	
10	1					17.0				1	4.8				1	2.7	13.1	2	145	
9	9					7.6				1	4.3				1	1.5	24.3	1	181	
8	7					16.6				1	5.5				3	2.2	23.3	2	263	
7	8					16.0				1	5.7				5	2.0	20.5	2	356	
6	7					16.0				1	5.5				5	2.0	23.2	1	263	
5	6					21.3					3.3				9	2.8	27.1	2	362	
4	5					19.0					5.1				10	2.8	26.9	2	353	
3	4					16.8					4.3				6	3.3	23.9	4	322	
2	3					20.6					3.7				7	3.3	27.6	3	243	
1	2					17.6					4.4				8	2.5	24.5	19	2431	
AM TOTAL	1817					17.6					4.4				8	2.5	24.5	19	2431	
PM TOTAL	1817					17.6					4.4				8	2.5	24.5	19	2431	
DAY TOTAL	1817					17.6					4.4				8	2.5	24.5	19	2431	
																				2745

2-AXLE EQUIVALENT

STATE OF WASHINGTON - DEPARTMENT OF TRANSPORTATION  
 TRIP SYSTEM  
 HOURLY TRAFFIC CLASSIFICATION SUMMARY

SR 014 MP 021.77 OFF SYSTEM ID. COUNTER NUMBER 003523 LEG DESCRIPTION: ON SR 14 @ CLARK/SKAMANIA COUNTY LINE LANE ALL OF

DAY	TOTAL	CARS PICKUPS	BUS	SINGLE MED	SINGLE HVY	SINGLE 4+	SINGLE UNIT %	DOUBLE 4-	DOUBLE 5	DOUBLE 6+	DOUBLE UNIT %	5-	TRAINS 6	TRAINS 7+	TRAIN %	TRUCK %	CLASS UNKNOWN	TOTAL VEHICLES
04-19-05																		
TUESDAY																		
AM HOURS																		
12 -	1	21		7			21.9				9.4							32
1 -	2	11		1			6.7				13.3							15
2 -	3	6		2			15.4				30.8							13
3 -	4	18		4			25.0				7.1							28
4 -	5	36	1	16			28.1	1			10.9							64
5 -	6	127	3	38			22.1	4			8.4							190
6 -	7	217	3	36			14.3	13			6.6							286
7 -	8	199	3	40			17.4	13			4.9							264
8 -	9	202	2	57			21.3	2			7.1							296
9 -	10	159	2	41			17.7	7			8.6							243
10 -	11	167	2	45			20.4	9			6.9							245
11 -	12	210	5	49			19.7	7			6.1							294
PM HOURS																		
12 -	1	190	5	51			20.7	9			7.4							285
1 -	2	197	1	60			22.2	2			6.5							293
2 -	3	240	3	59			19.0	2			5.3							337
3 -	4	284	3	81			21.8	6			4.6							395
4 -	5	359	3	79			17.8	9			2.8							466
5 -	6	311	2	55			15.2	3			2.1							387
6 -	7	215	2	45			18.2	3			2.9							280
7 -	8	156	2	28			14.2	1			6.4							204
8 -	9	146	1	18			10.3	6			4.0							174
9 -	10	98	1	19			15.6	5			5.5							128
10 -	11	45	3	8			18.6	3			5.1							59
11 -	12	30	1	7			18.6	1			4.7							43
AM TOTAL	1373	21	336	14			19.2	62			7.3							1970
PM TOTAL	2271	27	510	14			18.1	36			4.5							3051
DAY TOTAL	3644	48	846	28			18.5	98			5.6							5021
								110										5740
								72										45
																		26.5
																		2-AXLE EQUIVALENT

SR 014	MP 021.77	OFF SYSTEM ID.	LEG	DESCRIPTION: ON SR 14 @ CLARK/SKAMANIA COUNTY LINE	DIRECTION OF TRAFFIC	BOTH WAYS	LANE ALL OF								
COUNT IDENTIFIER	HPMS	COUNTER NUMBER	003523												
04-20-05															
WEDNESDAY															
AM HOURS	CARS PICKUPS	BUS	SINGLE MED	UNITS HVY	4+	SINGLE UNIT %	DOUBLE 4-5	DOUBLE UNITS 6+	DOUBLE UNIT %	5- TRAINS 6	7+	TRAIN %	TRUCK %	CLASS UNKNOWN	TOTAL VEHICLES
12 - 1	23	1	5			18.2			9.1				27.3	1	33
1 - 2	6		3		1	36.4			9.1				45.5		11
2 - 3	9	1	3		1	27.8			11.1				50.0		18
3 - 4	10	2	3		2	32.0			16.0				60.0		25
4 - 5	24		2			6.1			6.1				24.2	1	33
5 - 6	112	2	20		2	16.3	1		2.7	1			23.1	1	47
6 - 7	190	4	25			12.6			3.3				21.1	4	147
7 - 8	197	2	48		2	20.0			3.3				25.7	1	246
8 - 9	174	2	47			21.4			3.3				28.0	1	265
9 - 10	182	3	45			18.9			6.2				28.6	1	243
10 - 11	143	2	43			21.1			7.0	1			35.7	3	259
11 - 12	174	3	51			21.7			7.2				32.3	4	227
PM HOURS															
12 - 1	185	2	38		3	16.7			4.7				27.2	2	257
1 - 2	189	2	42		4	17.7			5.3				27.2	4	265
2 - 3	205	2	54		3	20.2			4.2				27.9	4	287
3 - 4	308	5	49		5	14.2			4.1				19.9	2	387
4 - 5	263	4	87		1	25.0			1.3				29.3	2	372
5 - 6	262	4	64		1	19.7			3.7	1			25.1	1	350
6 - 7	192	3	58			22.8			4.4				32.5	3	272
7 - 8	101	3	38			25.3			3.9				25.3	1	225
8 - 9	87	5	21		1	17.3			7.3				25.3	3	154
9 - 10	21					.9							1.6	85	150
10 - 11														61	107
11 - 12														43	63
AM TOTAL	1244	22	295		15	19.2			5.2				28.7	18	4477
PM TOTAL	1814	25	451		13	18.2			3.7				24.6	228	5153
DAY TOTAL	3058	47	746		28	18.6			4.3				26.2	246	4477

2-AXLE EQUIVALENT

TUBE  
 UP  
 BU

SR 014	MP 021.77	OFF SYSTEM ID.	LEG	DESCRIPTION: ON SR 14 @ CLARK/SKAMANIA COUNTY LINE	DIRECTION OF TRAFFIC	BOTH WAYS	LANE ALL OF								
COUNT IDENTIFIER	HPMS	COUNTER NUMBER	003523												
04-21-05															
THURSDAY															
AM HOURS	CARS PICKUPS	BUS	SINGLE MED	HVY	4+	SINGLE UNIT %	DOUBLE 4-5	SINGLE 6+	DOUBLE UNIT %	5-6	TRAINS 7+	TRAIN %	TRUCK %	CLASS UNKNOWN	TOTAL VEHICLES
12 - 1	1														22
1 - 2	2														14
2 - 3	3														14
3 - 4	4														16
4 - 5	5														22
5 - 6	6														41
6 - 7	7														127
7 - 8	8														127
8 - 9	9														226
9 - 10	10														271
10 - 11	11														262
11 - 12	12														255
PM HOURS															251
12 - 1	177	4	58	1	2	23.6	2	7	10	1	10	4.4	34.9	2	275
1 - 2	176	3	53	3	1	23.0	1	3	6	2	10	4.6	31.4	3	261
2 - 3	223	2	57	2		19.6	3	3	3	3	8	3.8	27.2	4	312
3 - 4	270	2	60			16.9	10	7	6	1	8	2.7	25.1	4	366
4 - 5	283	2	62		1	17.2	5	5	7	3	7	4.2	24.3	4	379
5 - 6	310	1	59	2		16.2	3	7	8	3	8	2.9	24.3	4	379
6 - 7	202		42			16.2	2	4	2	1	3	3.1	19.1	3	383
7 - 8	147	2	38	1	1	21.4	4	4	4	1	3	1.5	25.0		259
8 - 9	115	1	25	1		17.3	4	1	1	1	3	2.0	20.8		196
9 - 10	92	1	11	1		11.6	5	2	2	1	3	4.5	26.3		156
10 - 11	56	2	15	1		22.5	1	2	1	1	1	3.8	17.9		112
11 - 12	25		4			13.9	2	1	2		3	8.3	30.6		80
AM TOTAL	764	22	227	9	9	15.1	13	36	19	5	37	2.4	21.3	628	1769
PM TOTAL	2076	21	484	12	5	18.5	23	48	51	2	59	2.7	25.5	20	2815
DAY TOTAL	2840	43	711	21	14	17.2	36	84	70	2	96	2.6	23.9	648	4584

TUBE  
 UP  
 B/D



SR 014 MP 021.77 OFF SYSTEM ID. LEG DIRECTION OF TRAFFIC BOTH WAYS LANE ALL OF  
COUNT IDENTIFIER HPMS COUNTER NUMBER 003523 DESCRIPTION: ON SR 14 @ CLARK/SKAMANIA COUNTY LINE

FRIDAY AM HOURS	CARS PICKUPS	BUS MED	SINGLE UNITS HVVY	4+	SINGLE UNIT %	DOUBLE UNITS 4-	5	6	7+	TRAIN %	TRUCK %	CLASS UNKNOWN	TOTAL VEHICLES
12 - 1	15	4	4	1	19.0	4	1	1	1	5.3	28.6	UNKNOWN	21
1 - 2	13	2	2	2	15.8	2	2	3	3	10.5	31.6	UNKNOWN	19
2 - 3	12	3	3	1	20.0	1	1	3	3	15.0	40.0	UNKNOWN	20
3 - 4	12	1	1	2	22.2	4	3	4	4	14.8	51.9	UNKNOWN	27
4 - 5	29	7	7	1	17.0	2	2	2	5	10.6	36.2	UNKNOWN	47
5 - 6	97	14	14	2	14.0	1	1	3	3	2.5	19.8	UNKNOWN	121
6 - 7	184	2	24	1	12.6	1	5	1	11	5.0	21.4	UNKNOWN	238
7 - 8	207	3	47	3	18.3	3	9	5	12	4.1	28.3	UNKNOWN	290
8 - 9													
9 - 10													
10 - 11													
11 - 12													
12 - 1													
1 - 2													
2 - 3													
3 - 4													
4 - 5													
5 - 6													
6 - 7													
7 - 8													
8 - 9													
9 - 10													
10 - 11													
11 - 12													

AM TOTAL	569	7	103	10	5	16.0	4	24	15	5.5	1	39	5.1	26.6	6	783
PM TOTAL	569	7	103	10	5	16.0	4	24	15	5.5	1	39	5.1	26.6	6	783
DAY TOTAL	569	7	103	10	5	16.0	4	24	15	5.5	1	39	5.1	26.6	6	783

04-18-05 THRU 04-22-05  
AVERAGE WEEKDAY CLASSIFICATION VOLUMES \*\*\*\*\*  
CARS PICKUPS | BUS MED | SINGLE UNITS HVVY | 4+ | SINGLE UNIT % | DOUBLE UNITS 4- | 5 | 6 | 7+ | TRAIN % | TRUCK % | CLASS UNKNOWN | TOTAL VEHICLES

3181 46 768 26 11 18.1 62 93 66 4.7 3 17 108 2.95 26.71 42 4694 4803  
 3482 46 813 28 11 18.70 72 99 71 5.16 4 21 112 2.7 25.6 313 5360  
 TOTAL HOURS FOR COUNT 91  
 FACTOR GROUP P07  
 AVG WEEKDAY VOL 4694 X SEASONAL ADJ. FACTOR 0.9400 = ESTIMATED AVG DAILY TRAFFIC 4412  
 4803  
 9-70  
 K = 9.93 D = 52.36 T = 22.32  
 VOLUME = 466 DATE: 04/19/05 TIME: 04:00 PM  
 PEAK HOUR PERCENTAGES:  
 PEAK HOUR LOCATION :

NOTE: Bus/MED/HVY LOW WOB  
Bus/MED/HVY HIGH EB