



Interval 15 MIN 60 MIN
 Count(volume) Binned(CL/SP)
 Speed Lane No 1 2

Direction CH #1 _____
 Direction CH #2 _____
 Data Hog # 7063

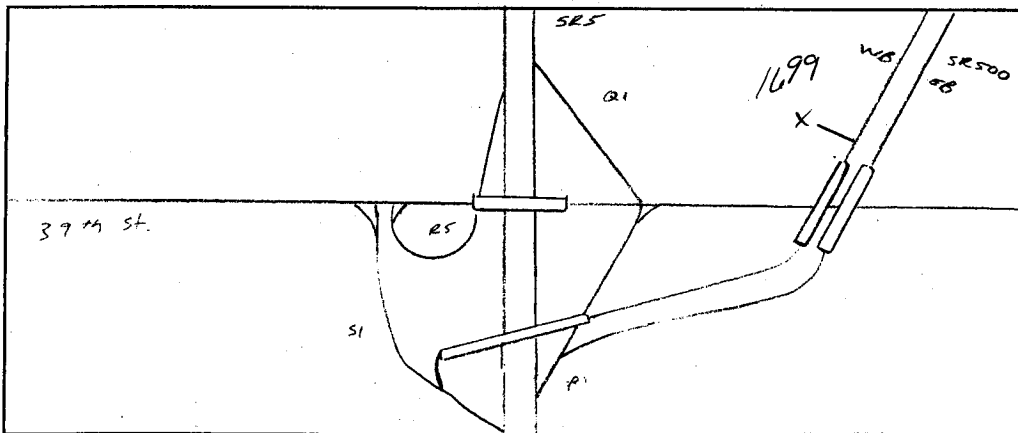
Counter No. 261699 Count ID 07-001
 SR 500 RRT/RRQ _____ MP 0.00
 Leg 2 Direction WB OSID _____

Station Description - ON SR500 at Begin Route

ON SR 500 E/O SR 5 / 39TH ST I/C

Date	Day	Time	Comments
6/25/07	2	1419	Manual (1) <u>2</u> (2) Counter (1) <u>2</u> (2) set o.k. JMLRT 6.2
6/26	3	0717	Manual (1) <u>50</u> (2) Counter (1) <u>50</u> (2) check o.k. JMLRT 6.2
6/27	4	0833	Manual (1) <u>51</u> (2) Counter (1) <u>50</u> (2) SP-1 check o.k. JMLRT 6.2
6/28	5	0519	Manual (1) <u>50</u> (2) Counter (1) <u>50</u> (2) check o.k. ^{AH} JMLRT 6.2
6/29	6	0612	Manual (1) <u>5</u> (2) Counter (1) <u>5</u> (2) p/u JMLRT 6.2

Sketch



JMLRT
Field Person

Interval 15 MIN 60 MIN
 Count(volume) Binned(CL/SP)
 Speed Lane No 1 2

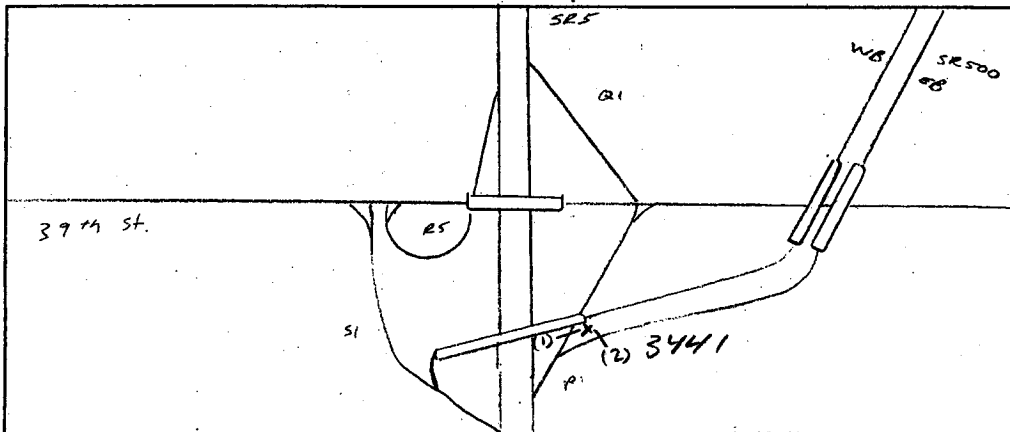
Direction CH #1 NB P10019 U
 Direction CH #2 EB SRS500 EB
 Data Hog # 7063

Counter No. 26 3441 Count ID 07-001
 SR 500 RRT/RRQ MP 0.00
 Leg 2 Direction See A, B OSID _____

Station Description - ON SR 500 E/O SR 5 / 39TH ST I/O

Date	Day	Time	Comments
6/25/07	2	1400	Manual (1) <u>2</u> (2) <u>2</u> Counter (1) <u>2</u> (2) <u>2</u> set o.k. JM/RT 6.3
6/26	3	1050	Manual (1) <u>11</u> (2) <u>50</u> Counter (1) <u>11</u> (2) <u>50</u> check o.k. JM/RT 6.8
6/27	4	0823	Manual (1) <u>11</u> (2) <u>43</u> Counter (1) <u>11</u> (2) <u>43</u> check o.k. JM/RT 6.3
6/28	5	0527	Manual (1) <u>1</u> (2) <u>9</u> Counter (1) <u>1</u> (2) <u>9</u> check o.k. ^{AH} JM/RT 6.3
6/29	6	0800	Manual (1) <u>2</u> (2) <u>2</u> Counter (1) <u>2</u> (2) <u>2</u> p/c JM/RT 6.3

Sketch



JM/RT
Field Person

SR 500 MP 000.00 OFF SYSTEM ID. LEG 2 DIRECTION OF TRAFFIC WESTBOUND LANE ALL OF
COUNT IDENTIFIER 07-001 COUNTER NUMBER 261699 DESCRIPTION: ON SR 500 E/O SR 5/39TH ST I/C

06/25/07 MONDAY	AM HOURS												PM HOURS												DAILY TOTAL
	1	2	3	4	5	6	7	8	9	10	11	12	1	2	3	4	5	6	7	8	9	10	11	12	
12	1	2	3	4	5	6	7	8	9	10	11	12	1	2	3	4	5	6	7	8	9	10	11	12	5555
TOT	511												906												5555

AM PEAK HOUR 0000 TO 0000 VOLUME 0
PM PEAK HOUR 0245 TO 0345 VOLUME 951

06/26/07 TUESDAY	AM HOURS												PM HOURS												DAILY TOTAL
	1	2	3	4	5	6	7	8	9	10	11	12	1	2	3	4	5	6	7	8	9	10	11	12	
12	1	2	3	4	5	6	7	8	9	10	11	12	1	2	3	4	5	6	7	8	9	10	11	12	17061
TOT	79												62												17061

AM PEAK HOUR 0600 TO 0700 VOLUME 1519
PM PEAK HOUR 0100 TO 0200 VOLUME 1064

06/27/07 WEDNESDAY	AM HOURS												PM HOURS												DAILY TOTAL
	1	2	3	4	5	6	7	8	9	10	11	12	1	2	3	4	5	6	7	8	9	10	11	12	
12	1	2	3	4	5	6	7	8	9	10	11	12	1	2	3	4	5	6	7	8	9	10	11	12	17146
TOT	96												80												17146

AM PEAK HOUR 0600 TO 0700 VOLUME 1578
PM PEAK HOUR 1215 TO 0115 VOLUME 1042

DOT-RNB515A-B

STATE OF WASHINGTON - DEPARTMENT OF TRANSPORTATION
TRIP SYSTEM
15 MINUTE TRAFFIC COUNT SUMMARY

DATE 07/11/07
TIME 09:22:30
PAGE 2

SR 500 MP 000.00 OFF SYSTEM ID. LEG 2 DIRECTION OF TRAFFIC WESTBOUND LANE ALL OF

COUNT IDENTIFIER 07-001 COUNTER NUMBER 261699 DESCRIPTION: ON SR 500 E/O SR 5/39TH ST 1/C

06/28/07 THURSDAY	AM HOURS												PM HOURS												DAILY TOTAL
	1	2	3	4	5	6	7	8	9	10	11	12	1	2	3	4	5	6	7	8	9	10	11	12	
12	1	2	3	4	5	6	7	8	9	10	11	12	1	2	3	4	5	6	7	8	9	10	11	12	16930
TOT	83	67	60	137	331	1064	1554	1563	1312	937	846	944	897	948	990	863	930	863	742	532	398	401	309	159	

AM PEAK HOUR 0700 TO 0800 VOLUME 1563
PM PEAK HOUR 0200 TO 0300 VOLUME 990

06/29/07 FRIDAY	AM HOURS												PM HOURS												DAILY TOTAL
	1	2	3	4	5	6	7	8	9	10	11	12	1	2	3	4	5	6	7	8	9	10	11	12	
12	1	2	3	4	5	6	7	8	9	10	11	12	1	2	3	4	5	6	7	8	9	10	11	12	1663
TOT	108	73	73	127	297	985																			

AM PEAK HOUR 0500 TO 0600 VOLUME 985
PM PEAK HOUR 0000 TO 0000 VOLUME 0

06/25/07 THRU 06/29/07
TOTAL HOURS FOR COUNT 87

3 DAYS
AVG WEEKDAY VOL 17046 X SEASONAL ADJ. FACTOR 0.9100 = 15512 X AXLE CORR FACTOR 0.9568 = ESTIMATED AVG DAILY TRAFFIC 14842

FACTOR GROUP GR-02

FACTOR GROUP CB-20

SR 500 MP 000.00 OFF SYSTEM ID. LEG 2 DIRECTION OF TRAFFIC EASTBOUND LANE ALL OF

COUNT IDENTIFIER 07-001 COUNTER NUMBER 263441 DESCRIPTION: ON SR 500 E/O SR 5/39TH ST I/C

06/25/07 MONDAY		AM HOURS												PM HOURS												DAILY TOTAL	
TIME	COUNT	1	2	3	4	5	6	7	8	9	10	11	12	1	2	3	4	5	6	7	8	9	10	11	12	TOT	TOT
00-15	12	1	2	3	4	5	6	7	8	9	10	11	12	1	2	3	4	5	6	7	8	9	10	11	12	869	196
15-30	1	2	3	4	5	6	7	8	9	10	11	12	1	2	3	4	5	6	7	8	9	10	11	12	269	308	
30-45	49	27	301	303	296	251	171	160	119	93	75	277	301	303	296	251	171	160	119	93	75	323	265				
45-00	55	28	21	32	10	73	98	143	171	205	249	254	318	309	297	254	186	187	148	103	77	828	299				
TOT	232	164	114	91	45	176	391	544	591	639	719	821	884	959	1176	1217	1256	1281	1057	828	643	708	503	364	8228	0	

AM PEAK HOUR 0000 TO 0000 VOLUME 0
PM PEAK HOUR 0430 TO 0530 VOLUME 1286

06/26/07 TUESDAY		AM HOURS												PM HOURS												DAILY TOTAL	
TIME	COUNT	1	2	3	4	5	6	7	8	9	10	11	12 <th>1</th> <th>2</th> <th>3</th> <th>4</th> <th>5</th> <th>6</th> <th>7</th> <th>8</th> <th>9</th> <th>10</th> <th>11</th> <th>12 <th>TOT</th> <th>TOT</th> </th>	1	2	3	4	5	6	7	8	9	10	11	12 <th>TOT</th> <th>TOT</th>	TOT	TOT
00-15	12	1	2	3	4	5	6	7	8	9	10	11	12	1	2	3	4	5	6	7	8	9	10	11	12	236	146
15-30	74	43	25	15	15	15	81	118	141	150	167	200	227	243	285	314	315	337	252	254	193	143	114	108	648	645	
30-45	64	45	31	15	17	32	94	156	157	166	181	200	239	230	270	291	320	345	247	245	177	155	102	80	645	694	
45-00	60	30	29	17	27	37	110	147	177	158	168	233	225	252	261	288	327	306	230	195	159	153	92	81	858	858	
TOT	38	28	28	21	20	67	121	135	173	171	178	225	245	258	340	282	324	287	225	149	153	127	76	72	1353	1353	

AM PEAK HOUR 1100 TO 1200 VOLUME 858
PM PEAK HOUR 0430 TO 0530 VOLUME 1353

06/27/07 WEDNESDAY		AM HOURS												PM HOURS												DAILY TOTAL	
TIME	COUNT	1	2	3	4	5	6	7	8	9	10	11	12 <th>1</th> <th>2</th> <th>3</th> <th>4</th> <th>5</th> <th>6</th> <th>7</th> <th>8</th> <th>9</th> <th>10</th> <th>11</th> <th>12 <th>TOT</th> <th>TOT</th> </th>	1	2	3	4	5	6	7	8	9	10	11	12 <th>TOT</th> <th>TOT</th>	TOT	TOT
00-15	12	1	2	3	4	5	6	7	8	9	10	11	12	1	2	3	4	5	6	7	8	9	10	11	12	232	164
15-30	73	37	33	21	11	29	90	109	155	158	177	166	234	232	242	277	319	371	268	230	172	184	151	85	643	639	
30-45	55	72	33	15	13	35	95	141	111	155	176	201	205	227	295	321	313	321	261	212	127	200	129	116	1316	1316	
45-00	49	27	27	23	11	39	108	151	154	156	161	205	220	246	313	301	315	292	274	200	157	176	120	86	821	821	
TOT	55	28	21	32	10	73	98	143	171	205	249	254	318	309	297	254	186	187	148	103	77	15403	15403				

AM PEAK HOUR 1100 TO 1200 VOLUME 821
PM PEAK HOUR 0430 TO 0530 VOLUME 1316

SR 500 MP 000.00 OFF SYSTEM ID. LEG 2 DIRECTION OF TRAFFIC EASTBOUND LANE ALL OF
 COUNT IDENTIFIER 07-001 COUNTER NUMBER 263441 DESCRIPTION: ON SR 500 E/O SR 5/39TH ST I/C

06/28/07 THURSDAY	AM HOURS												PM HOURS												DAILY TOTAL
	1	2	3	4	5	6	7	8	9	10	11	12	1	2	3	4	5	6	7	8	9	10	11	12	
12	1	2	3	4	5	6	7	8	9	10	11	12	1	2	3	4	5	6	7	8	9	10	11	12	14638
TOT	238	165	124	86	72	179	380	578	610	610	731	856	730	653	998	1206	1264	1294	969	802	692	614	443	344	1741
AM PEAK HOUR 1100 TO 1200 VOLUME 856												AM TOTAL 4629													
PM PEAK HOUR 0445 TO 0545 VOLUME 1343												PM TOTAL 10009													

06/29/07 FRIDAY	AM HOURS												PM HOURS												DAILY TOTAL
	1	2	3	4	5	6	7	8	9	10	11	12	1	2	3	4	5	6	7	8	9	10	11	12	
12	1	2	3	4	5	6	7	8	9	10	11	12	1	2	3	4	5	6	7	8	9	10	11	12	1741
TOT	227	158	138	85	68	164	372	529	NOT LOW												1741				
AM PEAK HOUR 0700 TO 0800 VOLUME 529												AM TOTAL 1741													
PM PEAK HOUR 0000 TO 0000 VOLUME 0												PM TOTAL 0													

06/25/07 THRU 06/29/07 TOTAL HOURS FOR COUNT 89
 21 DAYS /5298 FACTOR GROUP GR-02 /3921 FACTOR GROUP CB-20 /3320
 AVG WEEKDAY VOL 15078 X SEASONAL ADJ. FACTOR 0.9100 = 13721 X AXLE CORR FACTOR 0.9568 = ESTIMATED AVG DAILY TRAFFIC 13128

SR 500 MP 000.00 OFF SYSTEM ID. LEG 2 DIRECTION OF TRAFFIC BOTH WAYS LANE ALL OF

COUNT IDENTIFIER 07-001 COUNTER NUMBER 263441 DESCRIPTION: ON SR 500 E/O SR 5/39TH ST 1/C

06/25/07 MONDAY	AM HOURS	PM HOURS	AM PEAK HOUR 0000 TO 0000 VOLUME	PM PEAK HOUR 0245 TO 0345 VOLUME	AM TOTAL	PM TOTAL	DAILY TOTAL
12	1	2	0	0	1111	2102	3213
1	2	3	0	0	2071	2096	4167
2	3	4	0	0	1770	1296	3066
3	4	5	0	0	1033	866	1900
4	5	6	0	0	706	463	1169
5	6	7	0	0			
6	7	8	0	0			
7	8	9	0	0			
8	9	10	0	0			
9	10	11	0	0			
10	11	12	0	0			
11	12	1	0	0			
12	1	2	0	0			
TOT					1111	2102	3213

06/26/07 TUESDAY	AM HOURS	PM HOURS	AM PEAK HOUR 0715 TO 0815 VOLUME	PM PEAK HOUR 0430 TO 0530 VOLUME	AM TOTAL	PM TOTAL	DAILY TOTAL
12	1	2	2063	2238	13465	18789	32254
1	2	3	2063	2238	13465	18789	32254
2	3	4	2063	2238	13465	18789	32254
3	4	5	2063	2238	13465	18789	32254
4	5	6	2063	2238	13465	18789	32254
5	6	7	2063	2238	13465	18789	32254
6	7	8	2063	2238	13465	18789	32254
7	8	9	2063	2238	13465	18789	32254
8	9	10	2063	2238	13465	18789	32254
9	10	11	2063	2238	13465	18789	32254
10	11	12	2063	2238	13465	18789	32254
11	12	1	2063	2238	13465	18789	32254
12	1	2	2063	2238	13465	18789	32254
TOT			2063	2238	13465	18789	32254

06/27/07 WEDNESDAY	AM HOURS	PM HOURS	AM PEAK HOUR 0715 TO 0815 VOLUME	PM PEAK HOUR 0430 TO 0530 VOLUME	AM TOTAL	PM TOTAL	DAILY TOTAL
12	1	2	2117	2234	13695	19054	32749
1	2	3	2117	2234	13695	19054	32749
2	3	4	2117	2234	13695	19054	32749
3	4	5	2117	2234	13695	19054	32749
4	5	6	2117	2234	13695	19054	32749
5	6	7	2117	2234	13695	19054	32749
6	7	8	2117	2234	13695	19054	32749
7	8	9	2117	2234	13695	19054	32749
8	9	10	2117	2234	13695	19054	32749
9	10	11	2117	2234	13695	19054	32749
10	11	12	2117	2234	13695	19054	32749
11	12	1	2117	2234	13695	19054	32749
12	1	2	2117	2234	13695	19054	32749
TOT			2117	2234	13695	19054	32749

SR 500 MP 000.00 OFF SYSTEM ID. LEG 2 DIRECTION OF TRAFFIC BOTH WAYS LANE ALL OF

COUNT IDENTIFIER 07-001 COUNTER NUMBER 263441 DESCRIPTION: ON SR 500 E/O SR 5/39TH ST I/C

COUNT	IDENTIFIER	THURSDAY	AM HOURS												DAILY TOTAL										
			1	2	3	4	5	6	7	8	9	10	11	12											
00-15	84	61	50	47	55	179	501	496	492	370	375	467	454	388	504	538	562	556	482	369	315	288	224	143	
15-30	83	79	58	50	87	276	475	547	479	392	409	408	450	373	452	531	547	621	431	309	283	250	211	123	
30-45	85	46	39	72	134	413	493	528	488	393	393	464	371	438	541	524	534	519	391	347	260	264	164	138	
45-00	69	46	37	54	127	375	465	570	463	392	400	461	352	402	491	476	551	461	407	309	232	213	153	99	
TOT	321	232	184	223	403	1243	1934	2141	1922	1547	1577	1800	1627	1601	1988	2069	2194	2157	1711	1334	1090	1015	752	503	31568

AM PEAK HOUR 0700 TO 0800 VOLUME 2141
 PM PEAK HOUR 0430 TO 0530 VOLUME 2262

COUNT	IDENTIFIER	FRIDAY	AM HOURS												DAILY TOTAL										
			1	2	3	4	5	6	7	8	9	10	11	12											
00-15	101	46	61	40	64	145	501	496	492	370	375	467	454	388	504	538	562	556	482	369	315	288	224	143	
15-30	70	91	53	63	70	251	475	547	479	392	409	408	450	373	452	531	547	621	431	309	283	250	211	123	
30-45	89	51	51	58	128	389	493	528	488	393	393	464	371	438	541	524	534	519	391	347	260	264	164	138	
45-00	75	43	46	51	103	364	465	570	463	392	400	461	352	402	491	476	551	461	407	309	232	213	153	99	
TOT	335	231	211	212	365	1149	1934	2141	1922	1547	1577	1800	1627	1601	1988	2069	2194	2157	1711	1334	1090	1015	752	503	31568

AM PEAK HOUR 0500 TO 0600 VOLUME 1149
 PM PEAK HOUR 0000 TO 0000 VOLUME 0

06/29/07 THRU 06/29/07 TOTAL HOURS FOR COUNT 87
 AVG WEEKDAY VOL 32124 X SEASONAL ADJ. FACTOR 0.9100 = 29233 X AXLE CORR FACTOR 0.9568 = ESTIMATED AVG DAILY TRAFFIC 27970
 PEAK HOUR PERCENTAGES: K = 7.04 D = 59.24
 PEAK HOUR LOCATION : VOLUME = 2262 DATE: 06/28/07 TIME: 04:30 PM

27 DAYS 32402
 29484
 28212

FB Low