



*RW*

Interval  60 min.  15 min.  
 Binned(CL/SP)  Count(volume)  
Lane No  1  2

---

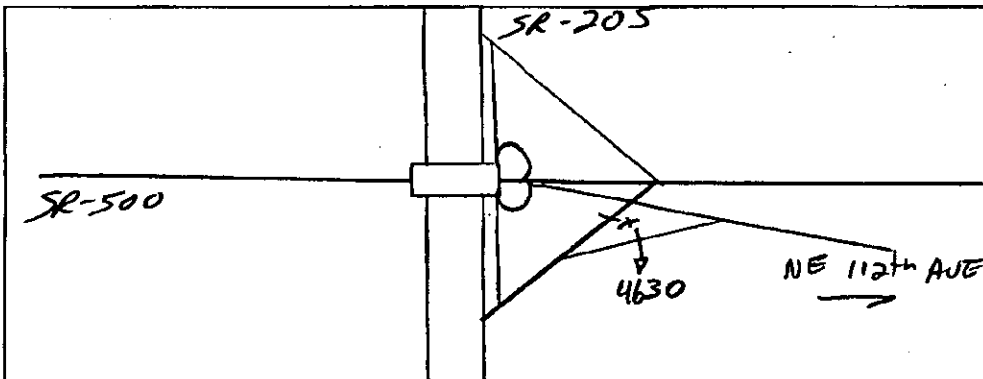
Direction Channel 1 \_\_\_\_\_  
Direction Channel 2 \_\_\_\_\_  
Unique ID# \_\_\_\_\_

Counter No. 174630 Count ID 15 001  
SR 205 RRT/RRQ P1 03060 MP 0.15  
~~0.21~~  
Leg 2 Direction NB OSID \_\_\_\_\_

Station Description \_ ON SR 205 NB OFF RAMP TO SR 500 EB

Date	Day	Time	Comments
4/20/15	2	1523	Manual (1) <u>1</u> (2) _____ Counter (1) <u>1</u> (2) _____ SET COUNTER OK DB/TWB
4/21	3	1206	Manual (1) <u>33</u> (2) _____ Counter (1) <u>33</u> (2) _____ CHECK COUNTER OK
4/22	4	0913	Manual (1) <u>16</u> (2) _____ Counter (1) <u>16</u> (2) _____ CHECK COUNTER OK TUBE UP FIXED @ 0915
4/23	5	1023	Manual (1) <u>26</u> (2) _____ Counter (1) <u>26</u> (2) _____ CHECK COUNTER OK
4/24	6	0819	Manual (1) <u>1</u> (2) _____ Counter (1) <u>1</u> (2) _____ P/U COUNTER OK DB/TWB

Sketch



DB/TWB  
Field Person

SR 205 P103060 MP 000.15 OFF SYSTEM ID. LEG 2 DIRECTION OF TRAFFIC NORTHBOUND LANE ALL OF  
 COUNT IDENTIFIER 15-001 COUNTER NUMBER 174630 DESCRIPTION: ON SR 205 NB OFF RAMP TO SR 500 EB

04/20/15 MONDAY	AM HOURS	PM HOURS	AM TOTAL	PM TOTAL	DAILY TOTAL
12	1	2	1	2	3
1	2	3	2	3	5
..	3	4	3	4	7
..	4	5	4	5	9
..	5	6	5	6	11
..	6	7	6	7	13
..	7	8	7	8	15
..	8	9	8	9	17
..	9	10	9	10	19
..	10	11	10	11	21
..	11	12	11	12	23
..	12	1	12	1	25
..	1	2	1	2	27
..	2	3	2	3	29
..	3	4	3	4	31
..	4	5	4	5	33
..	5	6	5	6	35
..	6	7	6	7	37
..	7	8	7	8	39
..	8	9	8	9	41
..	9	10	9	10	43
..	10	11	10	11	45
..	11	12	11	12	47
..	12	1	12	1	49
..	1	2	1	2	51
..	2	3	2	3	53
..	3	4	3	4	55
..	4	5	4	5	57
..	5	6	5	6	59
..	6	7	6	7	61
..	7	8	7	8	63
..	8	9	8	9	65
..	9	10	9	10	67
..	10	11	10	11	69
..	11	12	11	12	71
..	12	1	12	1	73
..	1	2	1	2	75
..	2	3	2	3	77
..	3	4	3	4	79
..	4	5	4	5	81
..	5	6	5	6	83
..	6	7	6	7	85
..	7	8	7	8	87
..	8	9	8	9	89
..	9	10	9	10	91
..	10	11	10	11	93
..	11	12	11	12	95
..	12	1	12	1	97
..	1	2	1	2	99
..	2	3	2	3	101
..	3	4	3	4	103
..	4	5	4	5	105
..	5	6	5	6	107
..	6	7	6	7	109
..	7	8	7	8	111
..	8	9	8	9	113
..	9	10	9	10	115
..	10	11	10	11	117
..	11	12	11	12	119
..	12	1	12	1	121
..	1	2	1	2	123
..	2	3	2	3	125
..	3	4	3	4	127
..	4	5	4	5	129
..	5	6	5	6	131
..	6	7	6	7	133
..	7	8	7	8	135
..	8	9	8	9	137
..	9	10	9	10	139
..	10	11	10	11	141
..	11	12	11	12	143
..	12	1	12	1	145
..	1	2	1	2	147
..	2	3	2	3	149
..	3	4	3	4	151
..	4	5	4	5	153
..	5	6	5	6	155
..	6	7	6	7	157
..	7	8	7	8	159
..	8	9	8	9	161
..	9	10	9	10	163
..	10	11	10	11	165
..	11	12	11	12	167
..	12	1	12	1	169
..	1	2	1	2	171
..	2	3	2	3	173
..	3	4	3	4	175
..	4	5	4	5	177
..	5	6	5	6	179
..	6	7	6	7	181
..	7	8	7	8	183
..	8	9	8	9	185
..	9	10	9	10	187
..	10	11	10	11	189
..	11	12	11	12	191
..	12	1	12	1	193
..	1	2	1	2	195
..	2	3	2	3	197
..	3	4	3	4	199
..	4	5	4	5	201
..	5	6	5	6	203
..	6	7	6	7	205
..	7	8	7	8	207
..	8	9	8	9	209
..	9	10	9	10	211
..	10	11	10	11	213
..	11	12	11	12	215
..	12	1	12	1	217
..	1	2	1	2	219
..	2	3	2	3	221
..	3	4	3	4	223
..	4	5	4	5	225
..	5	6	5	6	227
..	6	7	6	7	229
..	7	8	7	8	231
..	8	9	8	9	233
..	9	10	9	10	235
..	10	11	10	11	237
..	11	12	11	12	239
..	12	1	12	1	241
..	1	2	1	2	243
..	2	3	2	3	245
..	3	4	3	4	247
..	4	5	4	5	249
..	5	6	5	6	251
..	6	7	6	7	253
..	7	8	7	8	255
..	8	9	8	9	257
..	9	10	9	10	259
..	10	11	10	11	261
..	11	12	11	12	263
..	12	1	12	1	265
..	1	2	1	2	267
..	2	3	2	3	269
..	3	4	3	4	271
..	4	5	4	5	273
..	5	6	5	6	275
..	6	7	6	7	277
..	7	8	7	8	279
..	8	9	8	9	281
..	9	10	9	10	283
..	10	11	10	11	285
..	11	12	11	12	287
..	12	1	12	1	289
..	1	2	1	2	291
..	2	3	2	3	293
..	3	4	3	4	295
..	4	5	4	5	297
..	5	6	5	6	299
..	6	7	6	7	301
..	7	8	7	8	303
..	8	9	8	9	305
..	9	10	9	10	307
..	10	11	10	11	309
..	11	12	11	12	311
..	12	1	12	1	313
..	1	2	1	2	315
..	2	3	2	3	317
..	3	4	3	4	319
..	4	5	4	5	321
..	5	6	5	6	323
..	6	7	6	7	325
..	7	8	7	8	327
..	8	9	8	9	329
..	9	10	9	10	331
..	10	11	10	11	333
..	11	12	11	12	335
..	12	1	12	1	337
..	1	2	1	2	339
..	2	3	2	3	341
..	3	4	3	4	343
..	4	5	4	5	345
..	5	6	5	6	347
..	6	7	6	7	349
..	7	8	7	8	351
..	8	9	8	9	353
..	9	10	9	10	355
..	10	11	10	11	357
..	11	12	11	12	359
..	12	1	12	1	361
..	1	2	1	2	363
..	2	3	2	3	365
..	3	4	3	4	367
..	4	5	4	5	369
..	5	6	5	6	371
..	6	7	6	7	373
..	7	8	7	8	375
..	8	9	8	9	377
..	9	10	9	10	379
..	10	11	10	11	381
..	11	12	11	12	383
..	12	1	12	1	385
..	1	2	1	2	387
..	2	3	2	3	389
..	3	4	3	4	391
..	4	5	4	5	393
..	5	6	5	6	395
..	6	7	6	7	397
..	7	8	7	8	399
..	8	9	8	9	401
..	9	10	9	10	403
..	10	11	10	11	405
..	11	12	11	12	407
..	12	1	12	1	409
..	1	2	1	2	411
..	2	3	2	3	413
..	3	4	3	4	415
..	4	5	4	5	417
..	5	6	5	6	419
..	6	7	6	7	421
..	7	8	7	8	423
..	8	9	8	9	425
..	9	10	9	10	427
..	10	11	10	11	429
..	11	12	11	12	431
..	12	1	12	1	433
..	1	2	1	2	435
..	2	3	2	3	437
..	3	4	3	4	439
..	4	5	4	5	441
..	5	6	5	6	443
..	6	7	6	7	445
..	7	8	7	8	447
..	8	9	8	9	449
..	9	10	9	10	451
..	10	11	10	11	453
..	11	12	11	12	455
..	12	1	12	1	457
..	1	2	1	2	459
..	2	3	2	3	461
..	3	4	3	4	463
..	4	5	4	5	465
..	5	6	5	6	467
..	6	7	6	7	469
..	7	8	7	8	471
..	8	9	8	9	473
..	9	10	9	10	475
..	10	11	10	11	477
..	11	12	11	12	479
..	12	1	12	1	481
..	1	2	1	2	483
..	2	3	2	3	485
..	3	4	3	4	487
..	4	5	4	5	489
..	5	6	5	6	491
..	6	7	6	7	493
..	7	8	7	8	495
..	8	9	8	9	497
..	9	10	9	10	499
..	10	11	10	11	501
..	11	12	11	12	503
..	12	1	12	1	505
..	1	2	1	2	507
..	2	3	2	3	509
..	3	4	3	4	511
..	4	5	4	5	513
..	5	6	5	6	515
..	6	7	6	7	517
..	7	8	7	8	519
..	8	9	8	9	521
..	9	10	9	10	523
..	10	11	10	11	525
..	11	12	11	12	527
..	12	1	12	1	529
..	1	2	1	2	531
..	2	3	2	3	533
..	3	4	3	4	535
..	4	5	4	5	537
..	5	6	5	6	539
..	6	7	6	7	541
..	7	8	7	8	543
..	8	9	8	9	545
..	9	10	9	10	547
..	10	11	10	11	549
..	11	12	11	12	551

SR 205 P103060 MP 000.15 OFF SYSTEM ID. LEG 2 DIRECTION OF TRAFFIC NORTHBOUND LANE ALL OF  
 COUNT IDENTIFIER 15-001 COUNTER NUMBER 174630 DESCRIPTION: ON SR 205 NB OFF RAMP TO SR 500 EB

04/23/15 THURSDAY		AM HOURS												PM HOURS					DAILY TOTAL							
COUNT	PERCENTAGE	1	2	3	4	5	6	7	8	9	10	11	12	1	2	3	4	5	6	7	8	9	10	11	12	TOTAL
12	1	1	2	3	4	5	6	7	8	9	10	11	12	1	2	3	4	5	6	7	8	9	10	11	12	1466
39	28	19	12	16	14	57	129	111	111	108	151	149	136	177	241	197	250	193	154	112	119	88	77	3285		
43	23	12	16	16	28	79	126	104	116	119	125	138	139	158	242	236	229	253	147	122	105	67	51	7602		
23	14	16	16	16	31	97	122	139	95	114	144	130	157	180	258	254	261	195	130	102	103	61	49			
32	18	18	16	24	58	104	129	119	125	100	124	150	175	220	231	252	262	191	121	119	84	83	54			
TOT	137	93	63	51	62	131	337	506	473	447	441	544	567	607	735	972	939	1002	832	552	455	411	299	231	10887	

04/24/15 FRIDAY		AM HOURS												PM HOURS					DAILY TOTAL							
COUNT	PERCENTAGE	1	2	3	4	5	6	7	8	9	10	11	12	1	2	3	4	5	6	7	8	9	10	11	12	TOTAL
12	1	1	2	3	4	5	6	7	8	9	10	11	12	1	2	3	4	5	6	7	8	9	10	11	12	1466
40	19	20	10	10	7	22	52	116	124																3285	
50	25	17	5	8	32	59	128																		7602	
29	14	19	16	9	30	78	141																			
40	16	21	16	15	54	112	122																			
TOT	159	74	77	47	39	138	301	507	124																1466	

04/20/15 THRU 04/24/15  
 TOTAL HOURS FOR COUNT 70  
 AVG WEEKDAY VOL 11064  
 FACTOR GROUP R051  
 SEASONAL ADJ. FACTOR 0.9400 = 10234  
 X AXLE CORR FACTOR 0.9329 = ESTIMATED AVG DAILY TRAFFIC 9702  
 PEAK HOUR PERCENTAGES: K = 9.32 D = 100.00  
 PEAK HOUR LOCATION : VOLUME = 1036 DATE: 04/22/15 TIME: 04:00 PM



*Ru*

Interval  60 min.  15 min.  
 Binned(CL/SP)  Count(volume)  
 Lane No  1  2

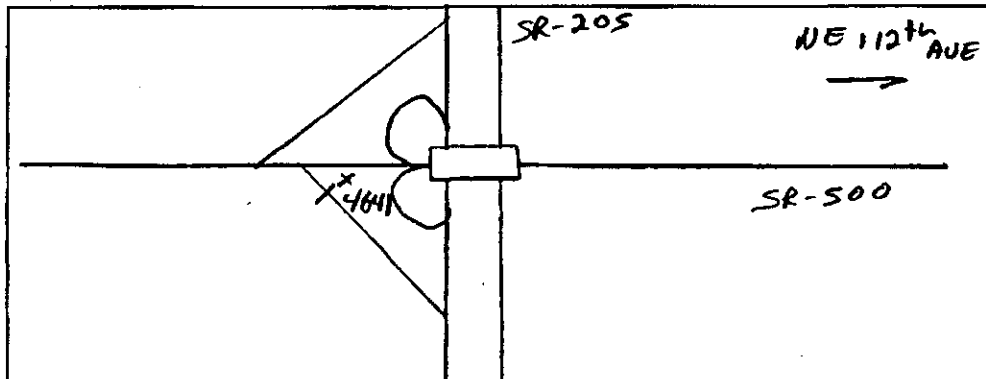
Direction Channel 1 \_\_\_\_\_  
 Direction Channel 2 \_\_\_\_\_  
 Unique ID# \_\_\_\_\_

Counter No. 174641 Count ID 15 001  
 SR 205 RRT/RRQ S1 03061 MP 0.00  
 Leg 2 Direction SB OSID \_\_\_\_\_

Station Description \_ ON SR 205 SB ON RAMP FROM SR 500 EB

Date	Day	Time	Comments
4/20/15	2	1509	Manual (1) <u>1</u> (2) _____ SET COUNTER OK DB/TWB Counter (1) <u>1</u> (2)
4/21	3	1120	Manual (1) <u>44</u> (2) _____ CHECK COUNTER OK Counter (1) <u>44</u> (2)
4/22	4	0905	Manual (1) <u>20</u> (2) _____ CHECK COUNTER OK Counter (1) <u>20</u> (2)
4/23	5	0946	Manual (1) <u>23</u> (2) _____ CHECK COUNTER OK Counter (1) <u>23</u> (2)
4/24	6	0807	Manual (1) <u>1</u> (2) _____ P/U COUNTER OK DB/TWB Counter (1) <u>1</u> (2)

Sketch



*DB/TWB*  
Field Person

SR 205 S103061 MP 000.00 OFF SYSTEM ID. LEG 2 DIRECTION OF TRAFFIC SOUTHBOUND LANE ALL OF  
 COUNT IDENTIFIER 15-001 COUNTER NUMBER 174641 DESCRIPTION: ON SR 205 SB ON RAMP FROM SR 500 EB

04/20/15 MONDAY		AM HOURS												PM HOURS												DAILY TOTAL	
12	1	2	3	4	5	6	7	8	9	10	11	12	1	2	3	4	5	6	7	8	9	10	11	12	TOTAL		
12	1	2	3	4	5	6	7	8	9	10	11	12	1	2	3	4	5	6	7	8	9	10	11	12	1429		
TOT		730												1030												5429	

AM PEAK HOUR 0000 TO 0000 VOLUME 0  
 PM PEAK HOUR 0415 TO 0515 VOLUME 1071  
 AM TOTAL 5429  
 PM TOTAL 0

04/21/15 TUESDAY		AM HOURS												PM HOURS												DAILY TOTAL	
12	1	2	3	4	5	6	7	8	9	10	11	12	1	2	3	4	5	6	7	8	9	10	11	12	TOTAL		
12	1	2	3	4	5	6	7	8	9	10	11	12	1	2	3	4	5	6	7	8	9	10	11	12	1494		
TOT		860												1071												1931	

AM PEAK HOUR 0700 TO 0800 VOLUME 977  
 PM PEAK HOUR 0430 TO 0530 VOLUME 1247  
 AM TOTAL 1931  
 PM TOTAL 860

04/22/15 WEDNESDAY		AM HOURS												PM HOURS												DAILY TOTAL	
12	1	2	3	4	5	6	7	8	9	10	11	12	1	2	3	4	5	6	7	8	9	10	11	12	TOTAL		
12	1	2	3	4	5	6	7	8	9	10	11	12	1	2	3	4	5	6	7	8	9	10	11	12	1550		
TOT		962												1082												2044	

AM PEAK HOUR 0700 TO 0800 VOLUME 1082  
 PM PEAK HOUR 0430 TO 0530 VOLUME 1202  
 AM TOTAL 2044  
 PM TOTAL 1082

SR 205 S103061 MP 000.00 OFF SYSTEM I.D. LEG 2 DIRECTION OF TRAFFIC SOUTHBOUND LANE ALL OF

COUNT IDENTIFIER 15-001 COUNTER NUMBER 174641 DESCRIPTION: ON SR 205 SB ON RAMP FROM SR 500 EB

04/23/15 THURSDAY	AM HOURS												PM HOURS												DAILY TOTAL
	1	2	3	4	5	6	7	8	9	10	11	12	1	2	3	4	5	6	7	8	9	10	11	12	
12	1	2	3	4	5	6	7	8	9	10	11	12	1	2	3	4	5	6	7	8	9	10	11	12	2631
36	18	13	21	27	58	184	268	226	191	183	200	216	251	252	312	284	306	230	170	152	153	88	42		
26	21	14	14	41	88	211	266	242	189	193	171	217	222	215	300	260	286	252	198	159	114	78	27		
23	5	11	25	63	127	289	292	236	207	204	201	240	218	219	298	261	258	219	187	137	99	54	37		
15	20	9	33	71	141	255	242	183	186	191	214	238	231	247	252	240	270	194	152	139	97	36	26		
TOT	100	64	47	93	202	414	939	1068	887	773	771	786	911	922	933	1162	1045	1120	895	707	587	463	256	132	
									AM PEAK HOUR 0645 TO 0745 VOLUME												AM TOTAL		6144		
									PM PEAK HOUR 0300 TO 0400 VOLUME													PM TOTAL		9133	

04/24/15 FRIDAY	AM HOURS												PM HOURS												DAILY TOTAL
	1	2	3	4	5	6	7	8	9	10	11	12	1	2	3	4	5	6	7	8	9	10	11	12	
12	1	2	3	4	5	6	7	8	9	10	11	12	1	2	3	4	5	6	7	8	9	10	11	12	2631
30	13	12	17	31	53	150	215	226	191	183	200	216	251	252	312	284	306	230	170	152	153	88	42		
38	8	10	17	79	137	258	237	242	189	193	171	217	222	215	300	260	286	252	198	159	114	78	27		
17	23	11	25	71	137	258	237	183	186	191	214	238	231	247	252	240	270	194	152	139	97	36	26		
25	12	11	19	56	129	219	220	183	186	191	214	238	231	247	252	240	270	194	152	139	97	36	26		
TOT	110	56	44	78	205	398	835	905	887	773	771	786	911	922	933	1162	1045	1120	895	707	587	463	256	132	
									AM PEAK HOUR 0630 TO 0730 VOLUME													AM TOTAL		2631	
									PM PEAK HOUR 0000 TO 0000 VOLUME														PM TOTAL		0

04/20/15 THRU 04/24/15 TOTAL HOURS FOR COUNT 88  
 3 DAYS AVG WEEKDAY VOL 15239 X SEASONAL ADJ. FACTOR 0.9400 = 14325 X AXLE CORR FACTOR 0.9329 = ESTIMATED AVG DAILY TRAFFIC 13364  
 PEAK HOUR PERCENTAGES: K = 8.18 D = 100.00  
 PEAK HOUR LOCATION: VOLUME = 1247 DATE: 04/21/15 TIME: 04:30 PM

NOTE: COUNT HIGH?



*Ru*

Interval  60 min.  15 min.  
 Binned(CL/SP)  Count(volume)  
Lane No  1  2

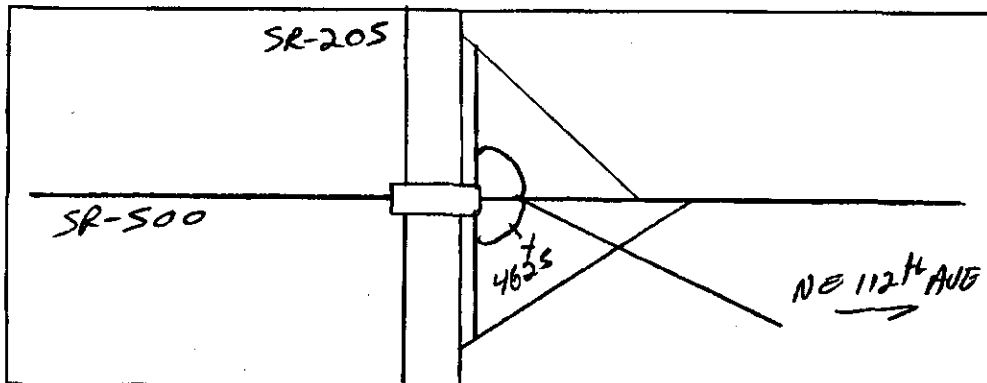
Direction Channel 1 \_\_\_\_\_  
Direction Channel 2 \_\_\_\_\_  
Unique ID# \_\_\_\_\_

Counter No. 174625 Count ID 15 001  
SR 205 RRT/RRQ Q5 03083 MP 0.00  
Leg 2 Direction NB OSID \_\_\_\_\_

Station Description \_ ON SR 205 NB ON RAMP FROM SR 500 EB

Date	Day	Time	Comments
4/20/15	2	1446	Manual (1) <u>1</u> (2) _____ Counter (1) <u>1</u> (2) _____ SET COUNTER OK DB/TWB
4/21	3	1310	Manual (1) <u>17</u> (2) _____ Counter (1) <u>17</u> (2) _____ CHECK COUNTER OK
4/22	4	0938	Manual (1) <u>8</u> (2) _____ Counter (1) <u>8</u> (2) _____ CHECK COUNTER OK
4/23	5	1059	Manual (1) <u>7</u> (2) _____ Counter (1) <u>7</u> (2) _____ CHECK COUNTER OK
4/24	6	0854	Manual (1) <u>1</u> (2) _____ Counter (1) <u>1</u> (2) _____ P/U COUNTER OK DB/TWB

Sketch



DB/TWB  
Field Person

STATE OF WASHINGTON - DEPARTMENT OF TRANSPORTATION  
TRIP SYSTEM  
15 MINUTE TRAFFIC COUNT SUMMARY

DATE 04/29/15  
TIME 10:31:21  
PAGE 5

SR 205 0503083 MP 000.00

OFF SYSTEM ID.

LEG 2

DIRECTION OF TRAFFIC NORTHBOUND

LANE ALL OF

COUNT IDENTIFIER 15-001

COUNTER NUMBER 174625

DESCRIPTION: ON SR 205 NB ON RAMP FROM SR 500 EB

04/20/15 MONDAY

AM HOURS	PM HOURS	AM TOTAL	PM TOTAL	DAILY TOTAL
12	1	1	1	2
1	2	3	2	5
2	3	5	3	8
3	4	7	4	11
4	5	9	5	14
5	6	11	6	17
6	7	13	7	20
7	8	15	8	23
8	9	17	9	26
9	10	19	10	29
10	11	21	11	32
11	12	23	12	35
12	1	25	1	26
1	2	27	2	29
2	3	29	3	32
3	4	31	4	35
4	5	33	5	38
5	6	35	6	41
6	7	37	7	44
7	8	39	8	47
8	9	41	9	50
9	10	43	10	53
10	11	45	11	56
11	12	47	12	59
12	1	49	1	50
1	2	51	2	53
2	3	53	3	56
3	4	55	4	59
4	5	57	5	62
5	6	59	6	65
6	7	61	7	68
7	8	63	8	71
8	9	65	9	74
9	10	67	10	77
10	11	69	11	80
11	12	71	12	83
12	1	73	1	74
1	2	75	2	77
2	3	77	3	80
3	4	79	4	83
4	5	81	5	86
5	6	83	6	89
6	7	85	7	92
7	8	87	8	95
8	9	89	9	98
9	10	91	10	101
10	11	93	11	104
11	12	95	12	107
12	1	97	1	98
1	2	99	2	101
2	3	101	3	104
3	4	103	4	107
4	5	105	5	110
5	6	107	6	113
6	7	109	7	116
7	8	111	8	119
8	9	113	9	122
9	10	115	10	125
10	11	117	11	128
11	12	119	12	131
12	1	121	1	122
1	2	123	2	125
2	3	125	3	128
3	4	127	4	131
4	5	129	5	134
5	6	131	6	137
6	7	133	7	140
7	8	135	8	143
8	9	137	9	146
9	10	139	10	149
10	11	141	11	152
11	12	143	12	155
12	1	145	1	146
1	2	147	2	149
2	3	149	3	152
3	4	151	4	155
4	5	153	5	158
5	6	155	6	161
6	7	157	7	164
7	8	159	8	167
8	9	161	9	170
9	10	163	10	173
10	11	165	11	176
11	12	167	12	179
12	1	169	1	170
1	2	171	2	173
2	3	173	3	176
3	4	175	4	179
4	5	177	5	182
5	6	179	6	185
6	7	181	7	188
7	8	183	8	191
8	9	185	9	194
9	10	187	10	197
10	11	189	11	200
11	12	191	12	203
12	1	193	1	194
1	2	195	2	197
2	3	197	3	200
3	4	199	4	203
4	5	201	5	206
5	6	203	6	209
6	7	205	7	212
7	8	207	8	215
8	9	209	9	218
9	10	211	10	221
10	11	213	11	224
11	12	215	12	227
12	1	217	1	218
1	2	219	2	221
2	3	221	3	224
3	4	223	4	227
4	5	225	5	230
5	6	227	6	233
6	7	229	7	236
7	8	231	8	239
8	9	233	9	242
9	10	235	10	245
10	11	237	11	248
11	12	239	12	251
12	1	241	1	242
1	2	243	2	245
2	3	245	3	248
3	4	247	4	251
4	5	249	5	254
5	6	251	6	257
6	7	253	7	260
7	8	255	8	263
8	9	257	9	266
9	10	259	10	269
10	11	261	11	272
11	12	263	12	275
12	1	265	1	266
1	2	267	2	269
2	3	269	3	272
3	4	271	4	275
4	5	273	5	278
5	6	275	6	281
6	7	277	7	284
7	8	279	8	287
8	9	281	9	290
9	10	283	10	293
10	11	285	11	296
11	12	287	12	299
12	1	291	1	282
1	2	293	2	285
2	3	295	3	288
3	4	297	4	291
4	5	299	5	294
5	6	301	6	297
6	7	303	7	300
7	8	305	8	303
8	9	307	9	306
9	10	309	10	309
10	11	311	11	312
11	12	313	12	315
12	1	315	1	306
1	2	317	2	309
2	3	319	3	312
3	4	321	4	315
4	5	323	5	318
5	6	325	6	321
6	7	327	7	324
7	8	329	8	327
8	9	331	9	330
9	10	333	10	333
10	11	335	11	336
11	12	337	12	339
12	1	341	1	322
1	2	343	2	325
2	3	345	3	328
3	4	347	4	331
4	5	349	5	334
5	6	351	6	337
6	7	353	7	340
7	8	355	8	343
8	9	357	9	346
9	10	359	10	349
10	11	361	11	352
11	12	363	12	355
12	1	365	1	346
1	2	367	2	349
2	3	369	3	352
3	4	371	4	355
4	5	373	5	358
5	6	375	6	361
6	7	377	7	364
7	8	379	8	367
8	9	381	9	370
9	10	383	10	373
10	11	385	11	376
11	12	387	12	379
12	1	389	1	370
1	2	391	2	373
2	3	393	3	376
3	4	395	4	379
4	5	397	5	382
5	6	399	6	385
6	7	401	7	388
7	8	403	8	391
8	9	405	9	394
9	10	407	10	397
10	11	409	11	400
11	12	411	12	403
12	1	413	1	394
1	2	415	2	397
2	3	417	3	400
3	4	419	4	403
4	5	421	5	406
5	6	423	6	409
6	7	425	7	412
7	8	427	8	415
8	9	429	9	418
9	10	431	10	421
10	11	433	11	424
11	12	435	12	427
12	1	437	1	418
1	2	439	2	421
2	3	441	3	424
3	4	443	4	427
4	5	445	5	430
5	6	447	6	433
6	7	449	7	436
7	8	451	8	439
8	9	453	9	442
9	10	455	10	445
10	11	457	11	448
11	12	459	12	451
12	1	461	1	442
1	2	463	2	445
2	3	465	3	448
3	4	467	4	451
4	5	469	5	454
5	6	471	6	457
6	7	473	7	460
7	8	475	8	463
8	9	477	9	466
9	10	479	10	469
10	11	481	11	472
11	12	483	12	475
12	1	485	1	466
1	2	487	2	469
2	3	489	3	472
3	4	491	4	475
4	5	493	5	478
5	6	495	6	481
6	7	497	7	484
7	8	499	8	487
8	9	501	9	490
9	10	503	10	493
10	11	505	11	496
11	12	507	12	499
12	1	509	1	490
1	2	511	2	493
2	3	513	3	496
3	4	515	4	499
4	5	517	5	502
5	6	519	6	505
6	7	521	7	508
7	8	523	8	511
8	9	525	9	514
9	10	527	10	517
10	11	529	11	520
11	12	531	12	523
12	1	533	1	514
1	2	535	2	517
2	3	537	3	520
3	4	539	4	523
4	5	541	5	526
5	6	543	6	529
6	7	545	7	532
7	8	547	8	535
8	9	549	9	538
9	10	551	10	541
10	11	553	11	544
11	12	555	12	547
12	1	557	1	538
1	2	559	2	541
2	3	561	3	544
3	4	563	4	547
4	5	565	5	550
5	6	567	6	553
6	7	569	7	556
7	8	571	8	559
8	9	573	9	562
9	10	575	10	565
10	11	577	11	568
11	12	579	12	571
12	1	581	1	562
1	2	583	2	565
2	3	585	3	568
3	4	587	4	571
4	5	589	5	574
5	6	591	6	577
6	7	593	7	580
7	8	595	8	583
8	9	597	9	586
9	10	599	10	589







Washington State  
Department of Transportation

Ru

# Diamond Traffic Counter

Interval  60 min.  15 min.

Binned(CL/SP)  Count(volume)

Lane No  1  2

---

Direction Channel 1 \_\_\_\_\_

Direction Channel 2 \_\_\_\_\_

Unique ID# \_\_\_\_\_

Counter No. 175865 Count ID 15 001

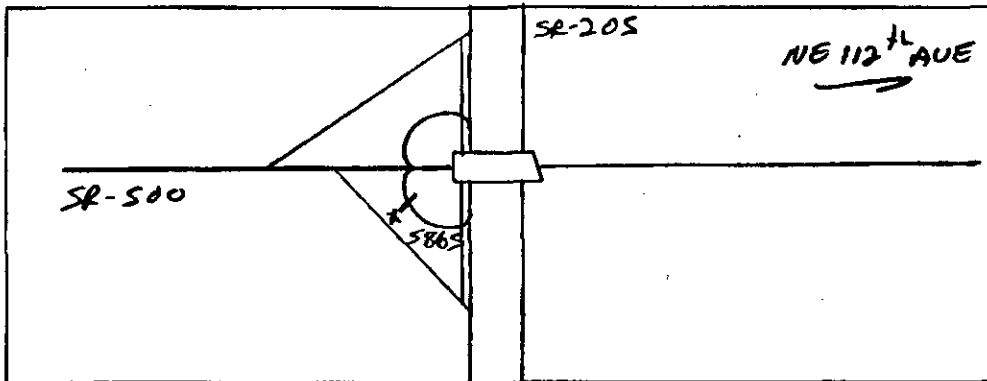
SR 205 RRT/RRQ R5 03083 MP 0.00

Leg 2 Direction SB OSID \_\_\_\_\_

Station Description ON SR 205 SB OFF RAMP TO SR 500 EB

Date	Day	Time	Comments
4/20/15	2	1439	Manual (1) <u>1</u> (2) _____ Counter (1) <u>1</u> (2) _____ SET COUNTER OK DB/TWB
4/21	3	1327	Manual (1) <u>31</u> (2) _____ Counter (1) <u>31</u> (2) _____ CHECK COUNTER OK
4/22	4	0949	Manual (1) <u>10</u> (2) _____ Counter (1) <u>10</u> (2) _____ CHECK COUNTER OK
4/23	5	1121	Manual (1) <u>21</u> (2) _____ Counter (1) <u>21</u> (2) _____ CHECK COUNTER OK
4/24	6	0845	Manual (1) <u>1</u> (2) _____ Counter (1) <u>1</u> (2) _____ P/U COUNTER OK DB/TWB

Sketch



DB / TWB  
Field Person

DOT-RN8515A-8

STATE OF WASHINGTON - DEPARTMENT OF TRANSPORTATION  
TRIP SYSTEM  
15 MINUTE TRAFFIC COUNT SUMMARY

DATE 06/29/15  
TIME 10:31:21  
PAGE 7

SR 205 R503083 MP 000.00 OFF SYSTEM ID. LEG 2 DIRECTION OF TRAFFIC SOUTHBOUND LANE ALL OF

COUNT IDENTIFIER 15-001 COUNTER NUMBER 175865 DESCRIPTION: ON SR 205 SB OFF RAMP TO SR 500 EB

06/20/15 MONDAY		AM HOURS												PM HOURS												DAILY TOTAL	
TIME	COUNT	1	2	3	4	5	6	7	8	9	10	11	12	1	2	3	4	5	6	7	8	9	10	11	12	TOT	TOT
00-15	12	1	2	3	4	5	6	7	8	9	10	11	12	1	2	3	4	5	6	7	8	9	10	11	12	59	429
15-30	1																										59
30-45																											
45-00																											
TOT																											

AM PEAK HOUR 0000 TO 0000 VOLUME 0  
PM PEAK HOUR 0315 TO 0415 VOLUME 470

AM TOTAL 0  
PM TOTAL 2281

06/21/15 TUESDAY		AM HOURS												PM HOURS												DAILY TOTAL	
TIME	COUNT	1	2	3	4	5	6	7	8	9	10	11	12	1	2	3	4	5	6	7	8	9	10	11	12	TOT	TOT
00-15	12	1	2	3	4	5	6	7	8	9	10	11	12	1	2	3	4	5	6	7	8	9	10	11	12	29	458
15-30	9																										533
30-45	10																										
45-00	6																										
TOT																											

AM PEAK HOUR 0700 TO 0800 VOLUME 458  
PM PEAK HOUR 0445 TO 0545 VOLUME 533

AM TOTAL 1974  
PM TOTAL 3183

06/22/15 WEDNESDAY		AM HOURS												PM HOURS												DAILY TOTAL	
TIME	COUNT	1	2	3	4	5	6	7	8	9	10	11	12	1	2	3	4	5	6	7	8	9	10	11	12	TOT	TOT
00-15	12	1	2	3	4	5	6	7	8	9	10	11	12	1	2	3	4	5	6	7	8	9	10	11	12	19	397
15-30	6																										502
30-45	6																										
45-00	5																										
TOT																											

AM PEAK HOUR 0715 TO 0815 VOLUME 397  
PM PEAK HOUR 0500 TO 0600 VOLUME 502

AM TOTAL 1901  
PM TOTAL 3057

06/22/15 WEDNESDAY		AM HOURS												PM HOURS												DAILY TOTAL	
TIME	COUNT	1	2	3	4	5	6	7	8	9	10	11	12	1	2	3	4	5	6	7	8	9	10	11	12	TOT	TOT
00-15	6																										397
15-30	6																										502
30-45	2																										
45-00	5																										
TOT																											

AM PEAK HOUR 0715 TO 0815 VOLUME 397  
PM PEAK HOUR 0500 TO 0600 VOLUME 502

AM TOTAL 1901  
PM TOTAL 3057

DOT-RN8515A-B

STATE OF WASHINGTON - DEPARTMENT OF TRANSPORTATION  
TRIP SYSTEM  
15 MINUTE TRAFFIC COUNT SUMMARY

DATE 04/29/15  
TIME 10:31:21  
PAGE 8

SR 205 R503083 MP 000.00

OFF SYSTEM ID.

LEG 2

DIRECTION OF TRAFFIC SOUTHBOUND

LANE ALL OF

COUNT IDENTIFIER 15-001

COUNTER NUMBER 175865

DESCRIPTION: ON SR 205 SB OFF RAMP TO SR 500 EB

04/23/15 THURSDAY

AM HOURS	PM HOURS	DAILY TOTAL
1	1	2
2	2	4
3	3	6
4	4	8
5	5	10
6	6	12
7	7	14
8	8	16
9	9	18
10	10	20
11	11	22
12	12	24
TOTAL		240

AM PEAK HOUR 0715 TO 0815 VOLUME 419  
PM PEAK HOUR 0430 TO 0530 VOLUME 538

AM TOTAL 2050  
PM TOTAL 3129

04/24/15 FRIDAY

AM HOURS	PM HOURS	DAILY TOTAL
1	1	2
2	2	4
3	3	6
4	4	8
5	5	10
6	6	12
7	7	14
8	8	16
9	9	18
10	10	20
11	11	22
12	12	24
TOTAL		223

04/20/15 THRU 04/24/15  
TOTAL HOURS FOR COUNT 89

AM PEAK HOUR 0700 TO 0800 VOLUME 382  
PM PEAK HOUR 0000 TO 0000 VOLUME 0

AM TOTAL 1068  
PM TOTAL 0

3 DAYS  
AVG WEEKDAY VOL 5098 X SEASONAL ADJ. FACTOR 0.9400 = 4792 X AXLE CORR FACTOR 0.9329 = ESTIMATED AVG DAILY TRAFFIC 4470

PEAK HOUR PERCENTAGES: K = 10.55 D = 100.00  
PEAK HOUR LOCATION : VOLUME = 538 DATE: 04/23/15 TIME: 04:30 PM



*RU*

Interval  60 min.  15 min.  
 Binned(CL/SP)  Count(volume)  
 Lane No  1  2

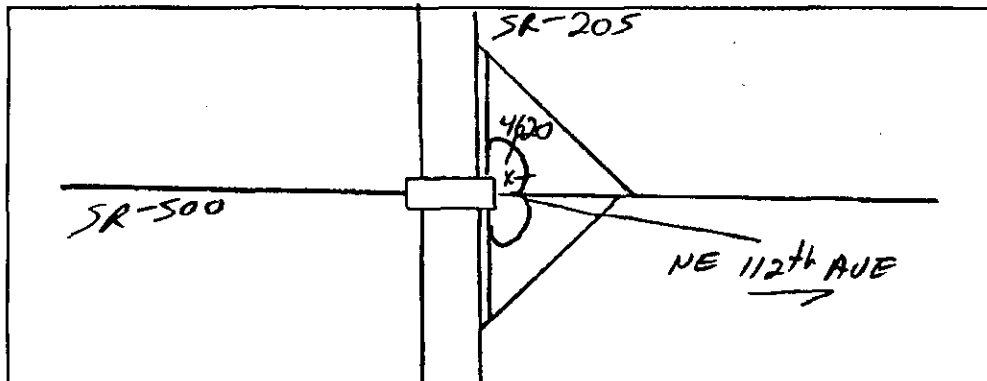
Direction Channel 1 \_\_\_\_\_  
 Direction Channel 2 \_\_\_\_\_  
 Unique ID# \_\_\_\_\_

Counter No. 174620 Count ID 15 001  
 SR 205 RRT/RRQ P5 03097 MP 0.00  
 Leg 2 Direction NB OSID \_\_\_\_\_

Station Description ON SR 205 NB OFF RAMP TO SR 500 WB

Date	Day	Time	Comments
4/20/15	2	<del>1446</del> 1458	Manual (1) 1 (2) _____ Counter (1) 1 (2) _____ SET COUNTER OK DB/TWB
4/21	3	1319	Manual (1) 50 (2) _____ Counter (1) 50 (2) _____ CHECK COUNTER OK
4/22	4	0942	Manual (1) 17 (2) _____ Counter (1) 17 (2) _____ CHECK COUNTER OK
4/23	5	1106	Manual (1) 24 (2) _____ Counter (1) 24 (2) _____ CHECK COUNTER OK
4/24	6	0857	Manual (1) 1 (2) _____ Counter (1) 1 (2) _____ P/U COUNTER OK DB/TWB

Sketch



DB/TWB  
Field Person

SR 205 P503097 MP 000.00 OFF SYSTEM ID. LEG 2 DIRECTION OF TRAFFIC NORTHBOUND LANE ALL OF

COUNT IDENTIFIER 15-001 COUNTER NUMBER 174620 DESCRIPTION: ON SR 205 NB OFF RAMP TO SR 500 WB

04/20/15 MONDAY

AM HOURS	PM HOURS	DAILY TOTAL
12	1	2
1	2	3
2	3	5
3	4	7
4	5	9
5	6	11
6	7	13
7	8	15
8	9	17
9	10	19
10	11	21
11	12	23
12	1	25
1	2	27
2	3	29
3	4	31
4	5	33
5	6	35
6	7	37
7	8	39
8	9	41
9	10	43
10	11	45
11	12	47
12	1	49
1	2	51
2	3	53
3	4	55
4	5	57
5	6	59
6	7	61
7	8	63
8	9	65
9	10	67
10	11	69
11	12	71
12	1	73
1	2	75
2	3	77
3	4	79
4	5	81
5	6	83
6	7	85
7	8	87
8	9	89
9	10	91
10	11	93
11	12	95
12	1	97
1	2	99
2	3	101
3	4	103
4	5	105
5	6	107
6	7	109
7	8	111
8	9	113
9	10	115
10	11	117
11	12	119
12	1	121
1	2	123
2	3	125
3	4	127
4	5	129
5	6	131
6	7	133
7	8	135
8	9	137
9	10	139
10	11	141
11	12	143
12	1	145
1	2	147
2	3	149
3	4	151
4	5	153
5	6	155
6	7	157
7	8	159
8	9	161
9	10	163
10	11	165
11	12	167
12	1	169
1	2	171
2	3	173
3	4	175
4	5	177
5	6	179
6	7	181
7	8	183
8	9	185
9	10	187
10	11	189
11	12	191
12	1	193
1	2	195
2	3	197
3	4	199
4	5	201
5	6	203
6	7	205
7	8	207
8	9	209
9	10	211
10	11	213
11	12	215
12	1	217
1	2	219
2	3	221
3	4	223
4	5	225
5	6	227
6	7	229
7	8	231
8	9	233
9	10	235
10	11	237
11	12	239
12	1	241
1	2	243
2	3	245
3	4	247
4	5	249
5	6	251
6	7	253
7	8	255
8	9	257
9	10	259
10	11	261
11	12	263
12	1	265
1	2	267
2	3	269
3	4	271
4	5	273
5	6	275
6	7	277
7	8	279
8	9	281
9	10	283
10	11	285
11	12	287
12	1	289
1	2	291
2	3	293
3	4	295
4	5	297
5	6	299
6	7	301
7	8	303
8	9	305
9	10	307
10	11	309
11	12	311
12	1	313
1	2	315
2	3	317
3	4	319
4	5	321
5	6	323
6	7	325
7	8	327
8	9	329
9	10	331
10	11	333
11	12	335
12	1	337
1	2	339
2	3	341
3	4	343
4	5	345
5	6	347
6	7	349
7	8	351
8	9	353
9	10	355
10	11	357
11	12	359
12	1	361
1	2	363
2	3	365
3	4	367
4	5	369
5	6	371
6	7	373
7	8	375
8	9	377
9	10	379
10	11	381
11	12	383
12	1	385
1	2	387
2	3	389
3	4	391
4	5	393
5	6	395
6	7	397
7	8	399
8	9	401
9	10	403
10	11	405
11	12	407
12	1	409
1	2	411
2	3	413
3	4	415
4	5	417
5	6	419
6	7	421
7	8	423
8	9	425
9	10	427
10	11	429
11	12	431
12	1	433
1	2	435
2	3	437
3	4	439
4	5	441
5	6	443
6	7	445
7	8	447
8	9	449
9	10	451
10	11	453
11	12	455
12	1	457
1	2	459
2	3	461
3	4	463
4	5	465
5	6	467
6	7	469
7	8	471
8	9	473
9	10	475
10	11	477
11	12	479
12	1	481
1	2	483
2	3	485
3	4	487
4	5	489
5	6	491
6	7	493
7	8	495
8	9	497
9	10	499
10	11	501
11	12	503
12	1	505
1	2	507
2	3	509
3	4	511
4	5	513
5	6	515
6	7	517
7	8	519
8	9	521
9	10	523
10	11	525
11	12	527
12	1	529
1	2	531
2	3	533
3	4	535
4	5	537
5	6	539
6	7	541
7	8	543
8	9	545
9	10	547
10	11	549
11	12	551
12	1	553
1	2	555
2	3	557
3	4	559
4	5	561
5	6	563
6	7	565
7	8	567
8	9	569
9	10	571
10	11	573
11	12	575
12	1	577
1	2	579
2	3	581
3	4	583
4	5	585
5	6	587
6	7	589
7	8	591
8	9	593
9	10	595
10	11	597
11	12	599
12	1	601
1	2	603
2	3	605
3	4	607
4	5	609
5	6	611
6	7	613
7	8	615
8	9	617
9	10	619
10	11	621
11	12	623
12	1	625
1	2	627
2	3	629
3	4	631
4	5	633
5	6	635
6	7	637
7	8	639
8	9	641
9	10	643
10	11	645
11	12	647
12	1	649
1	2	651
2	3	653
3	4	655
4	5	657
5	6	659
6	7	661
7	8	663
8	9	665
9	10	667
10	11	669
11	12	671
12	1	673
1	2	675
2	3	677
3	4	679
4	5	681
5	6	683
6	7	685
7	8	687
8	9	689
9	10	691
10	11	693
11	12	695
12	1	697
1	2	699
2	3	701
3	4	703
4	5	705
5	6	707
6	7	709
7	8	711
8	9	713
9	10	715
10	11	717
11	12	719
12	1	721
1	2	723
2	3	725
3	4	727
4	5	729
5	6	731
6	7	733
7	8	735
8	9	737
9	10	739
10	11	741
11	12	743
12	1	745
1	2	747
2	3	749
3	4	751
4	5	753
5	6	755
6	7	757
7	8	759
8	9	761
9	10	763
10	11	765
11	12	767
12	1	769
1	2	771
2	3	773
3	4	775
4	5	777
5	6	779
6	7	781
7	8	783
8	9	785
9	10	787
10	11	789
11	12	791
12	1	793
1	2	795
2	3	797
3	4	799
4	5	801
5	6	803
6	7	805
7	8	807
8	9	809
9	10	811
10	11	813
11	12	815
12	1	817
1	2	819
2	3	821
3	4	823
4	5	825
5	6	827
6	7	829
7	8	831
8	9	833
9	10	835
10	11	837
11	12	839
12	1	841
1	2	843
2	3	845
3	4	847
4	5	849
5	6	851
6	7	853
7	8	855
8	9	857
9	10	859
10	11	861
11	12	863
12	1	865
1	2	867
2	3	869
3	4	871
4	5	873
5	6	875
6	7	877
7	8	879
8	9	881
9	10	883
10	11	885
11	12	887
12	1	889
1	2	891
2	3	893
3	4	895
4	5	897
5	6	899
6	7	901
7	8	903
8	9	905
9	10	907
10	11	909
11	12	911
12	1	913
1	2	915
2	3	917
3	4	919
4	5	921
5	6	923
6	7	925
7	8	927
8	9	929
9	10	931
10	11	933
11	12	935
12	1	937
1	2	939
2	3	941
3	4	943
4		

DOT-RN515A-B

STATE OF WASHINGTON - DEPARTMENT OF TRANSPORTATION  
TRIP SYSTEM  
15 MINUTE TRAFFIC COUNT SUMMARY

DATE 04/29/15  
TIME 10:31:21  
PAGE 10

SR 205 P503097 MP 000.00 OFF SYSTEM ID. LEG 2 DIRECTION OF TRAFFIC NORTHBOUND LANE ALL OF  
COUNT IDENTIFIER 15-001 COUNTER NUMBER 174620 DESCRIPTION: ON SR 205 NB OFF RAMP TO SR 500 WB

04/23/15 THURSDAY	AM HOURS												PM HOURS												DAILY TOTAL
	1	2	3	4	5	6	7	8	9	10	11	12	1	2	3	4	5	6	7	8	9	10	11	12	
12	1	2	3	4	5	6	7	8	9	10	11	12	1	2	3	4	5	6	7	8	9	10	11	12	13548
00-15	44	26	20	14	10	12	55	138	174	170	166	186	184	206	183	241	259	310	262	192	120	121	112	82	
15-30	43	18	11	7	22	27	101	162	172	172	175	173	227	211	218	255	247	325	265	173	122	115	74	55	
30-45	24	17	20	7	12	38	119	187	179	159	188	179	213	213	253	275	281	312	218	197	132	102	86	33	
45-00	16	16	12	9	33	67	151	233	186	188	180	195	216	231	235	252	318	231	222	134	134	87	70	41	
TOT	127	77	63	37	77	144	426	720	711	681	707	733	840	861	889	1023	1105	1178	967	696	508	425	342	211	
									AM PEAK HOUR 0730 TO 0830 VOLUME												AM TOTAL			4503	
									PM PEAK HOUR 0445 TO 0545 VOLUME												PM TOTAL			9045	

04/24/15 FRIDAY	AM HOURS												PM HOURS												DAILY TOTAL
	1	2	3	4	5	6	7	8	9	10	11	12	1	2	3	4	5	6	7	8	9	10	11	12	
12	1	2	3	4	5	6	7	8	9	10	11	12	1	2	3	4	5	6	7	8	9	10	11	12	2158
00-15	37	19	25	14	11	23	51	126	187	187	177	180	180	180	180	180	180	180	180	180	180	180	180	180	2158
15-30	40	19	8	11	11	20	93	167	177	177	180	180	180	180	180	180	180	180	180	180	180	180	180	180	2158
30-45	34	22	17	8	18	38	115	199	180	180	180	180	180	180	180	180	180	180	180	180	180	180	180	180	2158
45-00	26	27	10	7	28	54	128	208	208	208	208	208	208	208	208	208	208	208	208	208	208	208	208	208	2158
TOT	137	87	60	40	68	135	387	700	544	544	544	544	544	544	544	544	544	544	544	544	544	544	544	544	2158
									AM PEAK HOUR 0730 TO 0830 VOLUME												AM TOTAL			2158	
									PM PEAK HOUR 0000 TO 0000 VOLUME													PM TOTAL			0

04/20/15 THRU 04/24/15  
TOTAL HOURS FOR COUNT 89

3 DAYS  
AVG WEEKDAY VOL 13526 X SEASONAL ADJ. FACTOR 0.9400 = 12714 X AXLE CORR FACTOR 0.9329 = ESTIMATED AVG DAILY TRAFFIC 11861  
PEAK HOUR PERCENTAGES: K = 9.35 D = 100.00  
PEAK HOUR LOCATION : VOLUME = 1265 DATE: 04/23/15 TIME: 04:45 PM



Washington State  
Department of Transportation

# Diamond Traffic Counter

*RU*

Interval  60 min.  15 min.  
 Binned(CL/SP)  Count(volume)  
 Lane No  1  2

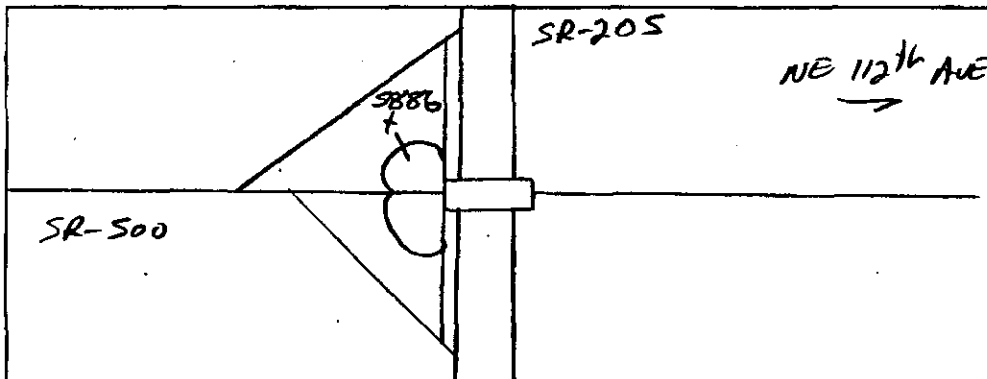
Direction Channel 1 \_\_\_\_\_  
 Direction Channel 2 \_\_\_\_\_  
 Unique ID# \_\_\_\_\_

Counter No. 175886 Count ID 15 001  
 SR 205 RRT/RRQ S5 03098 MP 0.00  
 Leg 2 Direction SB OSID \_\_\_\_\_

Station Description \_ ON SR 205 SB ON RAMP FROM SR 500 WB

Date	Day	Time	Comments
4/20/15	2	1432	Manual (1) <u>1</u> (2) _____ Counter (1) <u>1</u> (2) _____ SET COUNTER OK DB/TWB
4/21	3	1255	Manual (1) <u>30</u> (2) _____ Counter (1) <u>30</u> (2) _____ CHECK COUNTER OK
4/22	4	0945	Manual (1) <u>25</u> (2) _____ Counter (1) <u>25</u> (2) _____ CHECK COUNTER OK
4/23	5	1111	Manual (1) <u>37</u> (2) _____ Counter (1) <u>37</u> (2) _____ CHECK COUNTER OK
4/24	6	0842	Manual (1) <u>1</u> (2) _____ Counter (1) <u>1</u> (2) _____ P/U COUNTER OK DB/TWB

Sketch



DB/TWB  
Field Person





SR 205 S503098 MP 000.00 OFF SYSTEM ID. LEG 2 DIRECTION OF TRAFFIC SOUTHBOUND LANE ALL OF  
 COUNT IDENTIFIER 15-001 COUNTER NUMBER 175886 DESCRIPTION: DN SR 205 SB ON RAMP FROM SR 500 WB

04/23/15 THURSDAY

AM HOURS	1	2	3	4	5	6	7	8	9	10	11	12	1	2	3	4	5	6	7	8	9	10	11	12	DAILY TOTAL	
00-15	12	1	2	3	4	5	6	7	8	9	10	11	12	1	2	3	4	5	6	7	8	9	10	11	12	14961
15-30	27	12	13	24	34	139	335	313	244	222	212	228	190	182	212	228	209	220	199	140	135	94	79	33	30	
30-45	13	12	17	35	59	185	391	317	273	235	215	220	216	203	168	237	225	182	178	136	114	105	55	30		
45-00	10	19	19	58	102	263	358	285	245	242	247	225	181	215	249	217	205	205	183	132	95	73	62	28		
TOT	62	60	62	155	290	825	1381	1162	995	911	893	882	797	805	838	869	812	803	711	502	442	341	241	122	14961	

AM PEAK HOUR 0600 TO 0700 VOLUME 1381  
 PM PEAK HOUR 0230 TO 0330 VOLUME 903  
 AM TOTAL 7678  
 PM TOTAL 7283

04/24/15 FRIDAY

AM HOURS	1	2	3	4	5	6	7	8	9	10	11	12	1	2	3	4	5	6	7	8	9	10	11	12	DAILY TOTAL	
00-15	12	1	2	3	4	5	6	7	8	9	10	11	12	1	2	3	4	5	6	7	8	9	10	11	12	4231
15-30	19	12	16	24	36	115	301	296	265	265	282	282	282	282	282	282	282	282	282	282	282	282	282	282	282	
30-45	18	13	17	48	60	151	362	273	282	282	282	282	282	282	282	282	282	282	282	282	282	282	282	282	282	
45-00	13	27	17	52	100	199	249	219	219	219	219	219	219	219	219	219	219	219	219	219	219	219	219	219	219	
TOT	63	66	75	162	294	700	1271	1053	547	547	547	547	547	547	547	547	547	547	547	547	547	547	547	547	4231	

AM PEAK HOUR 0600 TO 0700 VOLUME 1271  
 PM PEAK HOUR 0000 TO 0800 VOLUME 0  
 AM TOTAL 4231  
 PM TOTAL 0

04/20/15 THRU 04/24/15 TOTAL HOURS FOR COUNT 89  
 3 DAYS AVG WEEKDAY VOL 15281 X SEASONAL ADJ. FACTOR 0.9400 = 14364 X AXLE CORR FACTOR 0.9329 = ESTIMATED AVG DAILY TRAFFIC 13400  
 PEAK HOUR PERCENTAGES: K = 9.13 D = 100.00  
 PEAK HOUR LOCATION : VOLUME = 1395 DATE: 04/22/15 TIME: 06:00 AM



*RU*

Interval  60 min.  15 min.  
 Binned(CL/SP)  Count(volume)  
 Lane No  1  2

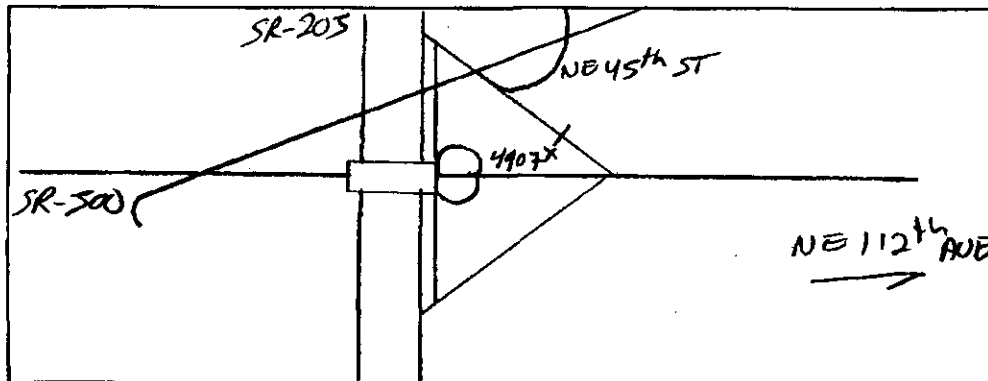
Direction Channel 1 \_\_\_\_\_  
 Direction Channel 2 \_\_\_\_\_  
 Unique ID# \_\_\_\_\_

Counter No. 174907 Count ID 15 001  
 SR 205 RRT/RRQ Q1 03117 MP 0.00  
 Leg 2 Direction NB OSID \_\_\_\_\_

Station Description ON SR 205 NB ON RAMP FROM SR 500 WB

Date	Day	Time	Comments
4/20/15	2	1420	Manual (1) <u>1</u> (2) _____ Counter (1) <u>1</u> (2) _____ SET COUNTER OK DB/TWB
4/21	3	1240	Manual (1) <u>27</u> (2) _____ Counter (1) <u>27</u> (2) _____ CHECK COUNTER OK
4/22	4	0930	Manual (1) <u>15</u> (2) _____ Counter (1) <u>15</u> (2) _____ CHECK COUNTER OK
4/23	5	1046	Manual (1) <u>19</u> (2) _____ Counter (1) <u>19</u> (2) _____ CHECK COUNTER OK
4/24	6	0837	Manual (1) <u>1</u> (2) _____ Counter (1) <u>1</u> (2) _____ P/U COUNTER OK DB/TWB

Sketch



NB / TWB  
Field Person

DOT-RN8515A-8

STATE OF WASHINGTON - DEPARTMENT OF TRANSPORTATION  
TRIP SYSTEM  
15 MINUTE TRAFFIC COUNT SUMMARY

DATE 04/29/15  
TIME 10:31:21  
PAGE 13

SR 205 Q103117 MP 000.00 OFF SYSTEM ID. LEG 2 DIRECTION OF TRAFFIC NORTHBOUND LANE ALL OF

COUNT IDENTIFIER 15-001 COUNTER NUMBER 174907 DESCRIPTION: ON SR 205 NB ON RAMP FROM SR 500 NB

04/20/15 MONDAY	1	2	3	4	5	6	7	8	9	10	11	12	TOTAL	
AM HOURS	12	1	2	3	4	5	6	7	8	9	10	11	12	
PM HOURS	1	2	3	4	5	6	7	8	9	10	11	12		
TOT	12	1	2	3	4	5	6	7	8	9	10	11	12	175
AM PEAK HOUR 0000 TO 0000 VOLUME													0	
PM PEAK HOUR 0430 TO 0530 VOLUME													434	
AM TOTAL													2181	
PM TOTAL													0	

04/21/15 TUESDAY	1	2	3	4	5	6	7	8	9	10	11	12	TOTAL											
AM HOURS	12	1	2	3	4	5	6	7	8	9	10	11	12											
PM HOURS	1	2	3	4	5	6	7	8	9	10	11	12												
TOT	23	22	21	34	74	152	292	388	364	296	247	287	244	321	372	431	389	312	201	172	121	60	43	5152
AM PEAK HOUR 0715 TO 0815 VOLUME													399											
PM PEAK HOUR 0430 TO 0530 VOLUME													468											
AM TOTAL													2199											
PM TOTAL													2953											

04/22/15 WEDNESDAY	1	2	3	4	5	6	7	8	9	10	11	12	TOTAL											
AM HOURS	12	1	2	3	4	5	6	7	8	9	10	11	12											
PM HOURS	1	2	3	4	5	6	7	8	9	10	11	12												
TOT	21	9	12	20	76	148	293	415	411	322	305	312	272	295	350	351	412	391	271	190	184	149	65	5298
AM PEAK HOUR 0715 TO 0815 VOLUME													428											
PM PEAK HOUR 0430 TO 0530 VOLUME													435											
AM TOTAL													2344											
PM TOTAL													2954											

DOT-RNB515A-B

STATE OF WASHINGTON - DEPARTMENT OF TRANSPORTATION  
TRIP SUMMARY  
15 MINUTE TRAFFIC COUNT SUMMARY

DATE 04/29/15  
TIME 10:31:21  
PAGE 14

SR 205 0103117 MP 000.00 OFF SYSTEM ID. LEG 2 DIRECTION OF TRAFFIC NORTHBOUND. LANE ALL OF

COUNT IDENTIFIER	15-001	COUNTER NUMBER	174907	DESCRIPTION:	ON SR 205 NB ON RAMP FROM SR 500 WB
04/23/15 THURSDAY					
	12	AM HOURS			PM HOURS
	1	1	2	3	4
	2	3	4	5	6
	3	4	5	6	7
	4	5	6	7	8
	5	6	7	8	9
	6	7	8	9	10
	7	8	9	10	11
	8	9	10	11	12
	9	10	11	12	DAILY
00-15	5	6	7	8	9
15-30	7	8	9	10	11
30-45	5	6	7	8	9
45-00	3	4	5	6	7
TOT	20	25	19	25	68
					150
					302
					409
					407
					329
					312
					317
					313
					303
					304
					386
					363
					376
					293
					226
					157
					118
					78
					58
					5358

AM PEAK HOUR 0745 TO 0845 VOLUME 423  
PM PEAK HOUR 0415 TO 0515 VOLUME 410

AM TOTAL 2383  
PM TOTAL 2975

04/24/15 FRIDAY	12	1	2	3	4	5	6	7	8	9	10	11	12	DAILY
	1	2	3	4	5	6	7	8	9	10	11	12	TOTAL	
00-15	5	4	3	2	2	2	2	2	2	2	2	2	2	112
15-30	5	7	7	2	2	2	2	2	2	2	2	2	2	93
30-45	7	3	2	4	4	2	2	2	2	2	2	2	2	106
45-00	2	1	3	5	17	38	88	101						
TOT	19	15	15	13	65	114	268	375	202					1086

AM PEAK HOUR 0715 TO 0815 VOLUME 412  
PM PEAK HOUR 0000 TO 0000 VOLUME 0

AM TOTAL 1086  
PM TOTAL 0

04/20/15 THRU 04/26/15  
TOTAL HOURS FOR COUNT 89

3 DAYS  
AVG WEEKDAY VOL 5269 X SEASONAL ADJ. FACTOR 0.9400 = 4953 X AXLE CORR FACTOR 0.9329 = ESTIMATED AVG DAILY TRAFFIC 4621  
PEAK HOUR PERCENTAGES: K = 8.88 D = 100.00  
PEAK HOUR LOCATION: VOLUME = 468 DATE: 04/21/15 TIME: 04:30 PM



RU

Interval  60 min.  15 min.  
 Binned(CL/SP)  Count(volume)  
Lane No  1  2

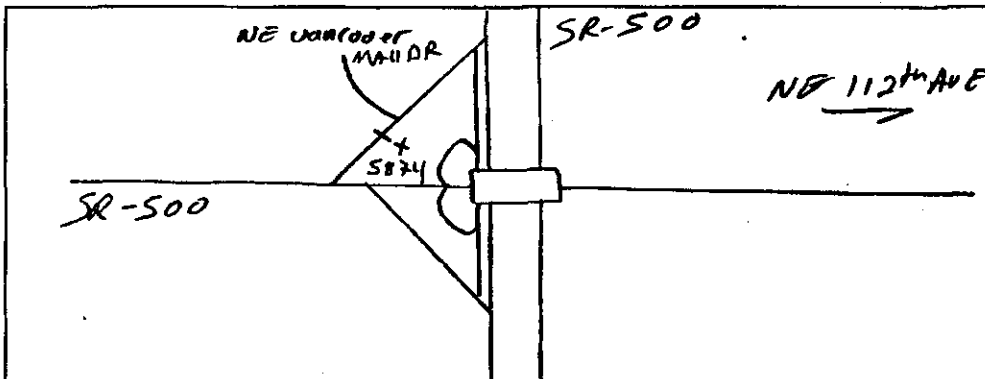
Direction Channel 1 \_\_\_\_\_  
Direction Channel 2 \_\_\_\_\_  
Unique ID# \_\_\_\_\_

Counter No. 175874 Count ID 15 001  
SR 205 RRT/RRQ R1 03118 MP 0.15  
~~0.18~~  
Leg 2 Direction SB OSID \_\_\_\_\_

Station Description \_ ON SR 205 SB OFF RAMP TO SR 500 WB

Date	Day	Time	Comments
4/20/15	2	1433	Manual (1) <u>1</u> (2) _____ Counter (1) <u>1</u> (2) _____ SET COUNTER OK DB/TWB
4/21	3	1252	Manual (1) <u>43</u> (2) _____ Counter (1) <u>43</u> (2) _____ CHECK COUNTER OK
4/22	4	0945	Manual (1) <u>6</u> (2) _____ Counter (1) <u>6</u> (2) _____ CHECK COUNTER OK
4/23	5	1111	Manual (1) <u>37</u> (2) _____ Counter (1) <u>37</u> (2) _____ CHECK COUNTER OK
4/24	6	0655	Manual (1) <u>1</u> (2) _____ Counter (1) <u>1</u> (2) _____ P/U COUNTER OK DB/TWB

Sketch



North

DB/TWB  
Field Person



SR 205 R103118 MP 000.15 OFF SYSTEM ID. LEG 2 DIRECTION OF TRAFFIC SOUTHBOUND LANE ALL OF

COUNT IDENTIFIER 15-001 COUNTER NUMBER 175874 DESCRIPTION: ON SR 205 SB OFF RAMP TO SR 500 WB

04/23/15 THURSDAY	AM HOURS	PM HOURS	DAILY TOTAL
12	1	2	3
1	2	3	5
2	3	4	6
3	4	5	8
4	5	6	10
5	6	7	12
6	7	8	14
7	8	9	17
8	9	10	20
9	10	11	23
10	11	12	25
11	12	1	27
12	1	2	29
1	2	3	31
2	3	4	33
3	4	5	35
4	5	6	37
5	6	7	39
6	7	8	41
7	8	9	43
8	9	10	45
9	10	11	47
10	11	12	49
11	12	1	51
12	1	2	53
1	2	3	55
2	3	4	57
3	4	5	59
4	5	6	61
5	6	7	63
6	7	8	65
7	8	9	67
8	9	10	69
9	10	11	71
10	11	12	73
11	12	1	75
12	1	2	77
1	2	3	79
2	3	4	81
3	4	5	83
4	5	6	85
5	6	7	87
6	7	8	89
7	8	9	91
8	9	10	93
9	10	11	95
10	11	12	97
11	12	1	99
12	1	2	101
1	2	3	103
2	3	4	105
3	4	5	107
4	5	6	109
5	6	7	111
6	7	8	113
7	8	9	115
8	9	10	117
9	10	11	119
10	11	12	121
11	12	1	123
12	1	2	125
1	2	3	127
2	3	4	129
3	4	5	131
4	5	6	133
5	6	7	135
6	7	8	137
7	8	9	139
8	9	10	141
9	10	11	143
10	11	12	145
11	12	1	147
12	1	2	149
1	2	3	151
2	3	4	153
3	4	5	155
4	5	6	157
5	6	7	159
6	7	8	161
7	8	9	163
8	9	10	165
9	10	11	167
10	11	12	169
11	12	1	171
12	1	2	173
1	2	3	175
2	3	4	177
3	4	5	179
4	5	6	181
5	6	7	183
6	7	8	185
7	8	9	187
8	9	10	189
9	10	11	191
10	11	12	193
11	12	1	195
12	1	2	197
1	2	3	199
2	3	4	201
3	4	5	203
4	5	6	205
5	6	7	207
6	7	8	209
7	8	9	211
8	9	10	213
9	10	11	215
10	11	12	217
11	12	1	219
12	1	2	221
1	2	3	223
2	3	4	225
3	4	5	227
4	5	6	229
5	6	7	231
6	7	8	233
7	8	9	235
8	9	10	237
9	10	11	239
10	11	12	241
11	12	1	243
12	1	2	245
1	2	3	247
2	3	4	249
3	4	5	251
4	5	6	253
5	6	7	255
6	7	8	257
7	8	9	259
8	9	10	261
9	10	11	263
10	11	12	265
11	12	1	267
12	1	2	269
1	2	3	271
2	3	4	273
3	4	5	275
4	5	6	277
5	6	7	279
6	7	8	281
7	8	9	283
8	9	10	285
9	10	11	287
10	11	12	289
11	12	1	291
12	1	2	293
1	2	3	295
2	3	4	297
3	4	5	299
4	5	6	301
5	6	7	303
6	7	8	305
7	8	9	307
8	9	10	309
9	10	11	311
10	11	12	313
11	12	1	315
12	1	2	317
1	2	3	319
2	3	4	321
3	4	5	323
4	5	6	325
5	6	7	327
6	7	8	329
7	8	9	331
8	9	10	333
9	10	11	335
10	11	12	337
11	12	1	339
12	1	2	341
1	2	3	343
2	3	4	345
3	4	5	347
4	5	6	349
5	6	7	351
6	7	8	353
7	8	9	355
8	9	10	357
9	10	11	359
10	11	12	361
11	12	1	363
12	1	2	365
1	2	3	367
2	3	4	369
3	4	5	371
4	5	6	373
5	6	7	375
6	7	8	377
7	8	9	379
8	9	10	381
9	10	11	383
10	11	12	385
11	12	1	387
12	1	2	389
1	2	3	391
2	3	4	393
3	4	5	395
4	5	6	397
5	6	7	399
6	7	8	401
7	8	9	403
8	9	10	405
9	10	11	407
10	11	12	409
11	12	1	411
12	1	2	413
1	2	3	415
2	3	4	417
3	4	5	419
4	5	6	421
5	6	7	423
6	7	8	425
7	8	9	427
8	9	10	429
9	10	11	431
10	11	12	433
11	12	1	435
12	1	2	437
1	2	3	439
2	3	4	441
3	4	5	443
4	5	6	445
5	6	7	447
6	7	8	449
7	8	9	451
8	9	10	453
9	10	11	455
10	11	12	457
11	12	1	459
12	1	2	461
1	2	3	463
2	3	4	465
3	4	5	467
4	5	6	469
5	6	7	471
6	7	8	473
7	8	9	475
8	9	10	477
9	10	11	479
10	11	12	481
11	12	1	483
12	1	2	485
1	2	3	487
2	3	4	489
3	4	5	491
4	5	6	493
5	6	7	495
6	7	8	497
7	8	9	499
8	9	10	501
9	10	11	503
10	11	12	505
11	12	1	507
12	1	2	509
1	2	3	511
2	3	4	513
3	4	5	515
4	5	6	517
5	6	7	519
6	7	8	521
7	8	9	523
8	9	10	525
9	10	11	527
10	11	12	529
11	12	1	531
12	1	2	533
1	2	3	535
2	3	4	537
3	4	5	539
4	5	6	541
5	6	7	543
6	7	8	545
7	8	9	547
8	9	10	549
9	10	11	551
10	11	12	553
11	12	1	555
12	1	2	557
1	2	3	559
2	3	4	561
3	4	5	563
4	5	6	565
5	6	7	567
6	7	8	569
7	8	9	571
8	9	10	573
9	10	11	575
10	11	12	577
11	12	1	579
12	1	2	581
1	2	3	583
2	3	4	585
3	4	5	587
4	5	6	589
5	6	7	591
6	7	8	593
7	8	9	595
8	9	10	597
9	10	11	599
10	11	12	601
11	12	1	603
12	1	2	605
1	2	3	607
2	3	4	609
3	4	5	611
4	5	6	613
5	6	7	615
6	7	8	617
7	8	9	619
8	9	10	621
9	10	11	623
10	11	12	625
11	12	1	627
12	1	2	629
1	2	3	631
2	3	4	633
3	4	5	635
4	5	6	637
5	6	7	639
6	7	8	641
7	8	9	643
8	9	10	645
9	10	11	647
10	11	12	649
11	12	1	651
12	1	2	653
1	2	3	655
2	3	4	657
3	4	5	659
4	5	6	661
5	6	7	663
6	7	8	665
7	8	9	667
8	9	10	669
9	10	11	671
10	11	12	673
11	12	1	675
12	1	2	677
1	2	3	679
2	3	4	681
3	4	5	683
4	5	6	685
5	6	7	687
6	7	8	689
7	8	9	691
8	9	10	693
9	10	11	695
10	11	12	697
11	12	1	699
12	1	2	701
1	2	3	703
2	3	4	705
3	4	5	707
4	5	6	709
5	6	7	711
6	7	8	713
7	8	9	715
8	9	10	717
9	10	11	719
10	11	12	721
11	12	1	723
12	1	2	725
1	2	3	727
2	3	4	729
3	4	5	731
4	5	6	733
5	6	7	735
6	7	8	737
7	8	9	739
8	9	10	741
9	10	11	743
10	11	12	745
11	12	1	747
12	1	2	749
1	2	3	751
2	3	4	753
3	4	5	755
4	5	6	757
5	6	7	759
6	7	8	761
7	8	9	763
8			