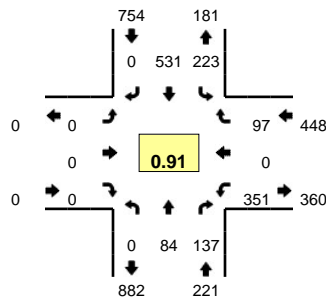
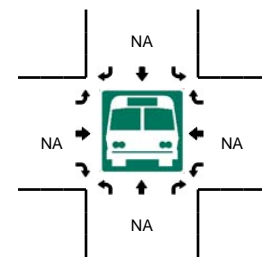
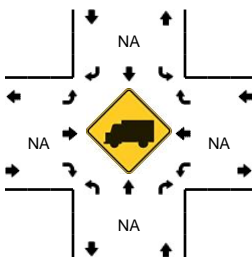
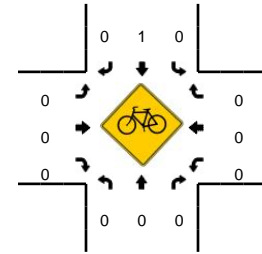
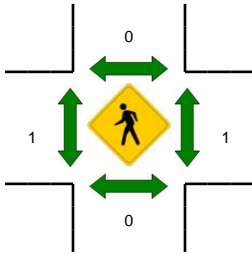
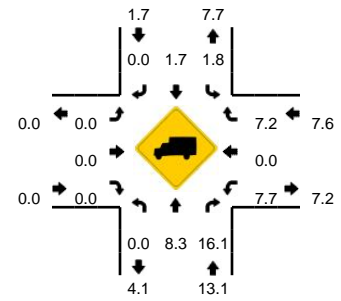


**LOCATION:** NW Lakeshore Ave -- NW 78th St  
**CITY/STATE:** Vancouver, WA

**QC JOB #:** 14671701  
**DATE:** Tue, Apr 10 2018



**Peak-Hour: 7:05 AM -- 8:05 AM**  
**Peak 15-Min: 7:40 AM -- 7:55 AM**



5-Min Count Period Beginning At	NW Lakeshore Ave (Northbound)				NW Lakeshore Ave (Southbound)				NW 78th St (Eastbound)				NW 78th St (Westbound)				Total	Hourly Totals
	Left	Thru	Right	U	Left	Thru	Right	U	Left	Thru	Right	U	Left	Thru	Right	U		
7:00 AM	0	5	9	0	15	42	0	0	0	0	0	0	26	0	5	0	102	
7:05 AM	0	10	16	0	17	38	0	0	0	0	0	0	21	0	6	0	108	
7:10 AM	0	3	16	0	13	44	0	0	0	0	0	0	18	0	7	0	101	
7:15 AM	0	6	11	0	22	45	0	0	0	0	0	0	23	0	6	0	113	
7:20 AM	0	10	15	0	13	41	0	0	0	0	0	0	36	0	6	0	121	
7:25 AM	0	1	9	0	12	39	0	0	0	0	0	0	34	0	9	0	104	
7:30 AM	0	9	11	0	17	49	0	0	0	0	0	0	27	0	6	0	119	
7:35 AM	0	3	3	0	21	48	0	0	0	0	0	0	35	0	6	0	116	
7:40 AM	0	11	13	0	13	42	0	0	0	0	0	0	48	0	16	0	143	
7:45 AM	0	3	6	0	26	49	0	0	0	0	0	0	29	0	8	0	121	
7:50 AM	0	9	14	0	22	44	0	0	0	0	0	0	31	0	7	0	127	
7:55 AM	0	10	15	0	23	43	0	0	0	0	0	0	21	0	7	0	119	1394
8:00 AM	0	9	8	0	24	49	0	0	0	0	0	0	28	0	13	0	131	1423
8:05 AM	0	8	12	0	19	44	0	0	0	0	0	0	35	0	7	0	125	1440
8:10 AM	0	7	7	0	20	33	0	0	0	0	0	0	46	0	4	0	117	1456
8:15 AM	0	9	13	0	11	35	0	0	0	0	0	0	38	0	9	0	115	1458
8:20 AM	0	12	12	0	16	42	0	0	0	0	0	0	34	0	13	0	129	1466
8:25 AM	0	16	13	0	21	35	0	0	0	0	0	0	32	0	9	0	126	1488
8:30 AM	0	11	26	0	13	29	0	0	0	0	0	0	28	0	8	0	115	1484
8:35 AM	0	10	16	0	20	26	0	0	0	0	0	0	19	0	14	0	105	1473
8:40 AM	0	8	14	0	13	35	0	0	0	0	0	0	27	0	16	0	113	1443
8:45 AM	0	10	7	0	19	25	0	0	0	0	0	0	34	0	15	0	110	1432
8:50 AM	0	5	15	0	19	35	0	0	0	0	0	0	31	0	12	0	117	1422
8:55 AM	0	9	9	0	22	26	0	0	0	0	0	0	27	0	8	0	101	1404
Peak 15-Min Flowrates	Northbound				Southbound				Eastbound				Westbound				Total	
	Left	Thru	Right	U	Left	Thru	Right	U	Left	Thru	Right	U	Left	Thru	Right	U		
All Vehicles	0	92	132	0	244	540	0	0	0	0	0	0	432	0	124	0	1564	
Heavy Trucks	0	8	40		0	8	0		0	0	0		16	0	4		76	
Pedestrians		0				0				0				0				0
Bicycles	0	0	0		0	0	0		0	0	0		0	0	0		0	
Railroad																		0
Stopped Buses																		0

Comments: