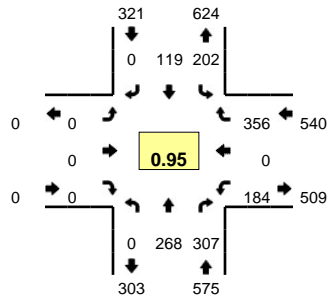
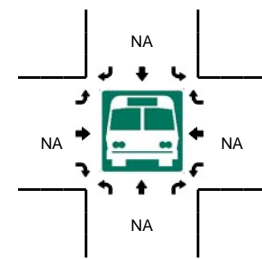
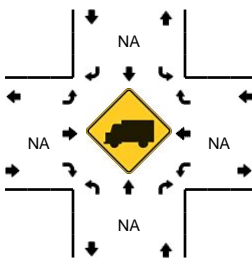
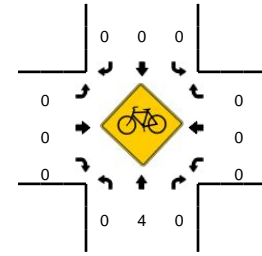
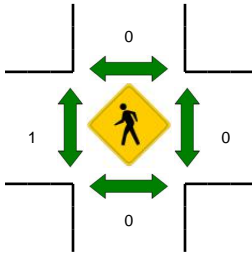
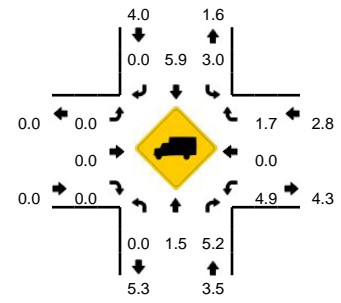


**LOCATION:** NW Lakeshore Ave -- NW 78th St  
**CITY/STATE:** Vancouver, WA

**QC JOB #:** 14671702  
**DATE:** Tue, Apr 10 2018



**Peak-Hour: 4:25 PM -- 5:25 PM**  
**Peak 15-Min: 5:05 PM -- 5:20 PM**



5-Min Count Period Beginning At	NW Lakeshore Ave (Northbound)				NW Lakeshore Ave (Southbound)				NW 78th St (Eastbound)				NW 78th St (Westbound)				Total	Hourly Totals
	Left	Thru	Right	U	Left	Thru	Right	U	Left	Thru	Right	U	Left	Thru	Right	U		
4:00 PM	0	18	27	0	20	8	0	0	0	0	0	0	8	0	22	0	103	
4:05 PM	0	14	32	0	14	6	0	0	0	0	0	0	16	0	23	0	105	
4:10 PM	0	20	23	0	10	10	0	0	0	0	0	0	16	0	16	0	95	
4:15 PM	0	14	24	0	16	11	0	0	0	0	0	0	24	0	16	0	105	
4:20 PM	0	27	21	0	13	13	0	0	0	0	0	0	12	0	21	0	107	
4:25 PM	0	21	24	0	12	10	0	0	0	0	0	0	13	0	24	0	104	
4:30 PM	0	17	24	0	19	9	0	0	0	0	0	0	9	0	20	0	98	
4:35 PM	0	18	22	0	15	11	0	0	0	0	0	0	23	0	32	0	121	
4:40 PM	0	25	28	0	19	11	0	0	0	0	0	0	7	0	19	0	109	
4:45 PM	0	18	23	0	12	4	0	0	0	0	0	0	20	0	35	0	112	
4:50 PM	0	31	27	0	13	9	0	0	0	0	0	0	19	0	37	0	136	
4:55 PM	0	16	28	0	19	8	0	0	0	0	0	0	16	0	28	0	115	1310
5:00 PM	0	16	25	0	19	14	0	0	0	0	0	0	17	0	38	0	129	1336
5:05 PM	0	26	20	0	20	10	0	0	0	0	0	0	14	0	25	0	115	1346
5:10 PM	0	25	37	0	17	15	0	0	0	0	0	0	20	0	37	0	151	1402
5:15 PM	0	27	21	0	13	9	0	0	0	0	0	0	15	0	28	0	113	1410
5:20 PM	0	28	28	0	24	9	0	0	0	0	0	0	11	0	33	0	133	1436
5:25 PM	0	23	20	0	13	8	0	0	0	0	0	0	12	0	28	0	104	1436
5:30 PM	0	20	11	0	23	9	0	0	0	0	0	0	13	0	29	0	105	1443
5:35 PM	0	19	19	0	17	6	0	0	0	0	0	0	14	0	26	0	101	1423
5:40 PM	0	12	19	0	13	13	0	0	0	0	0	0	17	0	24	0	98	1412
5:45 PM	0	17	15	0	14	18	0	0	0	0	0	0	10	0	32	0	106	1406
5:50 PM	0	10	11	0	22	19	0	0	0	0	0	0	7	0	27	0	96	1366
5:55 PM	0	19	13	0	13	6	0	0	0	0	0	0	8	0	20	0	79	1330
Peak 15-Min Flowrates	Northbound				Southbound				Eastbound				Westbound				Total	
	Left	Thru	Right	U	Left	Thru	Right	U	Left	Thru	Right	U	Left	Thru	Right	U		
All Vehicles	0	312	312	0	200	136	0	0	0	0	0	0	196	0	360	0	1516	
Heavy Trucks	0	4	20		12	8	0		0	0	0		4	0	12		60	
Pedestrians		0				0				0				0				0
Bicycles	0	1	0		0	0	0		0	0	0		0	0	0		1	
Railroad																		
Stopped Buses																		

Comments: