



Interval 60 min. 15 min.

Count(volume) Speed

Binned(CL/SP) Raw

Lane No 1 2

Direction Channel 1 SB

Direction Channel 2 _____

Data Hog # _____

Counter No. 1712 ^{Week#} 13 Count ID HPMIS

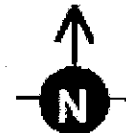
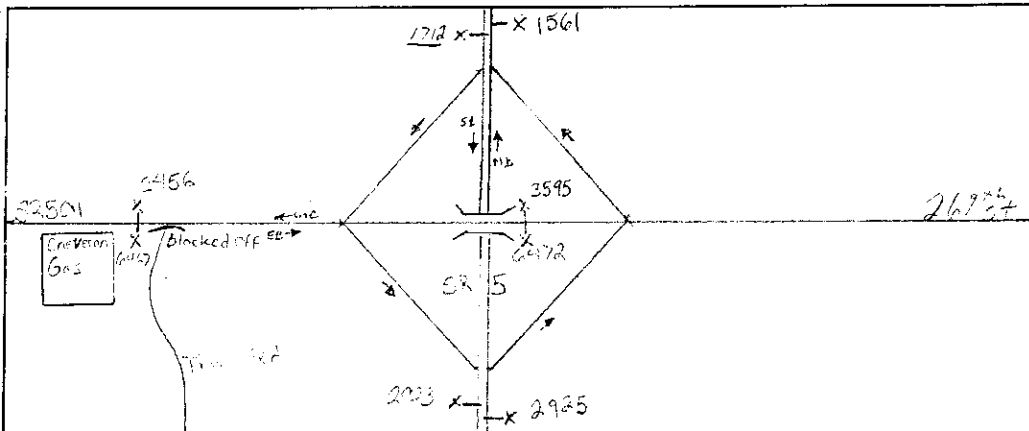
SR 5 RRT/RRQ _____ MP 1455

Leg 2 Direction SB OSID _____

Station Description _ ON SR5 N/A SR501/1100 SR502/1100

Date	Day	Time	Comments
3/21/05	2	1357	Manual (1) <u>13</u> (2) _____ Counter (1) <u>13</u> (2) _____ Set Counter O.K. MARCH 21 6.16
3/22/05	3	816	Manual (1) <u>52</u> (2) _____ Counter (1) <u>50</u> (2) _____ 3P=0 Check O.K.
3/23/05	4	1105	Manual (1) <u>55</u> (2) _____ Counter (1) <u>50</u> (2) _____ Tube up fixed at 1108 6.4
3/24/05	5	833	Manual (1) <u>50</u> (2) _____ Counter (1) <u>50</u> (2) _____ Check O.K. 6.4
3/25/05	6	649	Manual (1) _____ (2) _____ Counter (1) _____ (2) _____ Disturb. O.K. 6.4

Sketch



North

M. Dietz / Gander
Field Person

Interval 60 min. 15 min.

Count(volume) Speed

Binned(CL/SP) Raw

Lane No 1 2

Direction Channel 1 NB

Direction Channel 2 _____

Data Hog # _____

Counter No. 1561^{Week#}13 Count ID HPMS

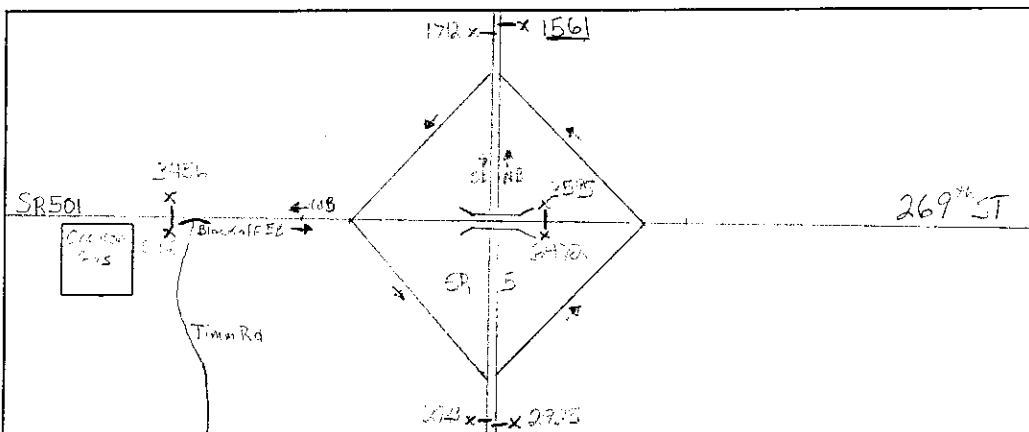
SR 5 RRT/RRQ _____ MP 14.55

Leg 2 Direction NB OSID _____

Station Description - ON SR5 N/O SR501/NW 269th ST 1/2

Date	Day	Time	Comments
3/21/05	2	1505	Manual (1) <u>10</u> (2) _____ Counter (1) <u>10</u> (2) _____ <i>Contr set ok MD, CS</i> 6.6
3/22/05	3	831	Manual (1) <u>50</u> (2) _____ Counter (1) <u>50</u> (2) _____ <i>Check OK</i> 6.4
3/23/05	4	1312	Manual (1) <u>50</u> (2) _____ Counter (1) <u>50</u> (2) _____ <i>Check OK</i> 6.4
3/24/05	5	941	Manual (1) <u>51</u> (2) _____ Counter (1) <u>50</u> (2) _____ <i>SP=1</i> <i>Check OK</i> 6.4
3/25/05	6	705	Manual (1) <u>2</u> (2) _____ Counter (1) <u>2</u> (2) _____ <i>pick up 1/2</i> 6.3

Sketch



M. P. / 3/25/05
Field Person

SR 005 MP 014.55 OFF SYSTEM ID. LEG 2 DIRECTION OF TRAFFIC SOUTHBOUND LANE ALL OF

COUNT IDENTIFIER HPMS COUNTER NUMBER 001712 DESCRIPTION: ON SR 5 N/O SR 501/NW 269TH ST I/C

COUNT IDENTIFIER	HPMS	AM HOURS												DAILY TOTAL	
		1	2	3	4	5	6	7	8	9	10	11	12		
03/21/05 MONDAY		12	1	2	3	4	5	6	7	8	9	10	11	12	828
00-15															853
15-30															924
30-45															807
45-00															3412
HOUR															3531
TOT															3482
															3159
															2635
															1856
															1510
															1296
															1207
															1078
															23166
															0
															23166

AM PEAK HOUR 0000 TO 0000 VOLUME 0
PM PEAK HOUR 0315 TO 0415 VOLUME 3595

AM TOTAL 0
PM TOTAL 23166

COUNT IDENTIFIER	HPMS	AM HOURS												DAILY TOTAL	
		1	2	3	4	5	6	7	8	9	10	11	12		
03/22/05 TUESDAY		12	1	2	3	4	5	6	7	8	9	10	11	12	838
00-15															629
15-30															695
30-45															753
45-00															1131
HOUR															2052
TOT															3069
															3168
															2641
															2477
															2798
															2731
															2973
															2931
															3124
															3142
															2999
															2260
															1818
															1423
															1083
															972
															842
															49028
															22730
															26298

AM PEAK HOUR 0700 TO 0800 VOLUME 3168
PM PEAK HOUR 0400 TO 0500 VOLUME 3142

AM TOTAL 22730
PM TOTAL 26298

COUNT IDENTIFIER	HPMS	AM HOURS												DAILY TOTAL	
		1	2	3	4	5	6	7	8	9	10	11	12		
03/23/05 WEDNESDAY		12	1	2	3	4	5	6	7	8	9	10	11	12	654
00-15															164
15-30															138
30-45															187
45-00															165
HOUR															420
TOT															2372
															2826
															2975
															2968
															3149
															3050
															2992
															2290
															1716
															1455
															1306
															1017
															823
															30013

AM PEAK HOUR 1100 TO 1200 VOLUME 2372
PM PEAK HOUR 0300 TO 0400 VOLUME 3149

AM TOTAL 3446
PM TOTAL 26567

TUBE UP

SR 005 MP 014.55 OFF SYSTEM ID. LEG 2 DIRECTION OF TRAFFIC SOUTHBOUND LANE ALL OF

COUNT IDENTIFIER HPMS COUNTER NUMBER 001712 DESCRIPTION: ON SR 5 N/O SR 501/NW 269TH ST I/C

03/24/05 THURSDAY	AM HOURS												PM HOURS												DAILY TOTAL	
	1	2	3	4	5	6	7	8	9	10	11	12	1	2	3	4	5	6	7	8	9	10	11	12		
TOT	645	531	494	634	946	1667	2686	2737	2762	2684	2915	2927	2996	410												25034
AM PEAK HOUR 1030 TO 1130 VOLUME	2998																									21628
PM PEAK HOUR 1200 TO 0100 VOLUME	2996																									3406

TUBE UP

03/25/05 FRIDAY	AM HOURS												PM HOURS												DAILY TOTAL	
	1	2	3	4	5	6	7	8	9	10	11	12	1	2	3	4	5	6	7	8	9	10	11	12		
TOT	12	1	2	3	4	5	6	7	8	9	10	11	12	1	2	3	4	5	6	7	8	9	10	11	12	63
AM PEAK HOUR 0000 TO 0000 VOLUME	0																									0
PM PEAK HOUR 0000 TO 0000 VOLUME	0																									0

TUBE UP

03/21/05 THRU 03/25/05
TOTAL HOURS FOR COUNT 63

2 DAYS 48612 FACTOR GROUP R045 53959 FACTOR GROUP R045 41117
AVG WEEKDAY VOL 49028 X SEASONAL ADJ. FACTOR 1.1100 = 54421 X AXLE CORR FACTOR 0.7620 = ESTIMATED AVG DAILY TRAFFIC 41469

TRIP SUMMARY
15 MINUTE TRAFFIC COUNT SUMMARY

SR 005 MP 014.55 OFF SYSTEM ID. LEG 2 DIRECTION OF TRAFFIC NORTHBOUND LANE ALL OF

COUNT IDENTIFIER HPMS COUNTER NUMBER 001561 DESCRIPTION: ON SR 5 N/O SR 501/NW 269TH ST 1/C

03/21/05 MONDAY	AM HOURS												PM HOURS												DAILY TOTAL
COUNT	1	2	3	4	5	6	7	8	9	10	11	12	1	2	3	4	5	6	7	8	9	10	11	12	
12	1	2	3	4	5	6	7	8	9	10	11	12	1	2	3	4	5	6	7	8	9	10	11	12	
TOT	12	12	12	12	12	12	12	12	12	12	12	12	12	12	12	12	12	12	12	12	12	12	12	12	2343
																									3068
																									2749
																									2137
																									1561
																									1374
																									1115
																									835
																									642
																									15824
																									0
																									15824

03/22/05 TUESDAY	AM HOURS												PM HOURS												DAILY TOTAL
COUNT	1	2	3	4	5	6	7	8	9	10	11	12	1	2	3	4	5	6	7	8	9	10	11	12	
12	1	2	3	4	5	6	7	8	9	10	11	12	1	2	3	4	5	6	7	8	9	10	11	12	
TOT	12	12	12	12	12	12	12	12	12	12	12	12	12	12	12	12	12	12	12	12	12	12	12	12	3171
																									0
																									3171

03/23/05 WEDNESDAY	AM HOURS												PM HOURS												DAILY TOTAL
COUNT	1	2	3	4	5	6	7	8	9	10	11	12	1	2	3	4	5	6	7	8	9	10	11	12	
12	1	2	3	4	5	6	7	8	9	10	11	12	1	2	3	4	5	6	7	8	9	10	11	12	
TOT	12	12	12	12	12	12	12	12	12	12	12	12	12	12	12	12	12	12	12	12	12	12	12	12	2744
																									3307
																									2744

AM PEAK HOUR 1015 TO 1115 VOLUME 2841 AM TOTAL 18558
 PM PEAK HOUR 0330 TO 0430 VOLUME 3152 PM TOTAL 26176

TRIP SUMMARY
15 MINUTE TRAFFIC COUNT SUMMARY

SR 005 MP 014.55 OFF SYSTEM ID. LEG 2 DIRECTION OF TRAFFIC NORTHBOUND LANE ALL OFF

COUNT IDENTIFIER HPMS COUNTER NUMBER 001561 DESCRIPTION: ON SR 5 N/O SR 501/NW 269TH ST I/C

03/24/05 THURSDAY		AM HOURS												PM HOURS												DAILY TOTAL
COUNT	IDENTIFIER	1	2	3	4	5	6	7	8	9	10	11	12	1	2	3	4	5	6	7	8	9	10	11	12	TOTAL
12	1	1	2	3	4	5	6	7	8	9	10	11	12	1	2	3	4	5	6	7	8	9	10	11	12	7005
1	2	3	4	5	6	7	8	9	10	11	12	1	2	3	4	5	6	7	8	9	10	11	12	7005		
15-30	212	165	167	189	150	308	435	591	629	716	843	749	733	767	819	801	843	825	739	496	465	419	375	285		
30-45	173	133	156	180	173	330	513	602	710	716	764	803	782	834	772	817	807	821	716	544	459	414	312	171		
45-00	233	137	161	161	191	333	601	780	718	740	789	777	724	864	859	849	879	692	547	547	393	378	292	151		
TOT	809	574	648	736	657	1433	2110	2711	2801	2956	3179	3124	2999	3231	3300	3325	3353	3083	2642	2039	1692	1532	1247	964	5145	

AM PEAK HOUR 0945 TO 1045 VOLUME 3180
PM PEAK HOUR 0345 TO 0445 VOLUME 3387

03/25/05 FRIDAY		AM HOURS												PM HOURS												DAILY TOTAL
COUNT	IDENTIFIER	1	2	3	4	5	6	7	8	9	10	11	12	1	2	3	4	5	6	7	8	9	10	11	12	TOTAL
12	1	1	2	3	4	5	6	7	8	9	10	11	12	1	2	3	4	5	6	7	8	9	10	11	12	7005
1	2	3	4	5	6	7	8	9	10	11	12	1	2	3	4	5	6	7	8	9	10	11	12	7005		
00-15	215	118	168	171	198	299	426																			
15-30	217	166	138	205	207	314	488																			
30-45	189	139	225	133	216	348	546																			
45-00	153	208	177	189	280	532																				
TOT	774	631	708	698	901	1301	1992																		7005	

AM PEAK HOUR 0600 TO 0700 VOLUME 1992
PM PEAK HOUR 0000 TO 0000 VOLUME 0

03/21/05 THRU 03/25/05
TOTAL HOURS FOR COUNT 87

3 DAYS
AVG WEEKDAY VOL 47745 X SEASONAL ADJ. FACTOR 1.1100 = 52997 X AXLE CORR FACTOR 0.7620 = ESTIMATED AVG DAILY TRAFFIC 40384

FACTOR GROUP R045

FACTOR GROUP R045

TRIP SYSTEM
15 MINUTE TRAFFIC COUNT SUMMARY

SR 005 MP 014.55 OFF SYSTEM ID. LEG 2 DIRECTION OF TRAFFIC BOTH WAYS LANE ALL OF
COUNT IDENTIFIER HPMS COUNTER NUMBER 001561 DESCRIPTION: ON SR 5 N/O SR 501/NW 269TH ST 1/C

03/21/05 MONDAY	AM HOURS												PM HOURS												DAILY TOTAL	
	1	2	3	4	5	6	7	8	9	10	11	12	1	2	3	4	5	6	7	8	9	10	11	12		
00-15	12	1	2	3	4	5	6	7	8	9	10	11	12	1	2	3	4	5	6	7	8	9	10	11	12	
15-30	1	2	3	4	5	6	7	8	9	10	11	12	1	2	3	4	5	6	7	8	9	10	11	12		
30-45																										
45-00																										
TOT																										5113

AM PEAK HOUR 0000 TO 0000 VOLUME 0
PM PEAK HOUR 0330 TO 0430 VOLUME 6702

AM TOTAL 0
PM TOTAL 34817

03/22/05 TUESDAY	AM HOURS												PM HOURS												DAILY TOTAL	
	1	2	3	4	5	6	7	8	9	10	11	12	1	2	3	4	5	6	7	8	9	10	11	12		
00-15	12	1	2	3	4	5	6	7	8	9	10	11	12	1	2	3	4	5	6	7	8	9	10	11	12	
15-30	1	2	3	4	5	6	7	8	9	10	11	12	1	2	3	4	5	6	7	8	9	10	11	12		
30-45																										
45-00																										
TOT	1390	1103	1207	1257	1844	3161	5008	5672	5053	5002	5190	5401	5474	5501	5756	6223	6411	5974	4703	3605	2939	2340	1975	1573	93762	

AM PEAK HOUR 0715 TO 0815 VOLUME 5677
PM PEAK HOUR 0330 TO 0430 VOLUME 6448

AM TOTAL 41288
PM TOTAL 52474

03/23/05 WEDNESDAY	AM HOURS												PM HOURS												DAILY TOTAL		
	1	2	3	4	5	6	7	8	9	10	11	12	1	2	3	4	5	6	7	8	9	10	11	12			
00-15	12	1	2	3	4	5	6	7	8	9	10	11	12	1	2	3	4	5	6	7	8	9	10	11	12		
15-30	1	2	3	4	5	6	7	8	9	10	11	12	1	2	3	4	5	6	7	8	9	10	11	12			
30-45																											
45-00																											
TOT	1350	971												5193	5747	5736	5864	6237	5988	6017	4965	3836	3040	2672	1990	1701	61307

AM PEAK HOUR 1100 TO 1200 VOLUME 5193
PM PEAK HOUR 0330 TO 0430 VOLUME 6291

AM TOTAL 25114
PM TOTAL 53793

TUBE UP SB

DOT - RNBS15A-B

STATE OF WASHINGTON - DEPARTMENT OF TRANSPORTATION
 TRIP SYSTEM
 15 MINUTE TRAFFIC COUNT SUMMARY

DATE 03/30/05
 TIME 13:54:11
 PAGE 12

SR 005 MP 014.55 OFF SYSTEM ID. LEG 2 DIRECTION OF TRAFFIC BOTH WAYS LANE ALL OF

COUNT IDENTIFIER HPMS COUNTER NUMBER 001561 DESCRIPTION: ON SR 5 N/O SR 501/NW 269TH ST I/C

03/24/05 THURSDAY		AM HOURS												PM HOURS					DAILY TOTAL							
		1	2	3	4	5	6	7	8	9	10	11	12	1	2	3	4	5	6	7	8	9	10	11	12	
00-15	420	311	282	341	364	611	1072	1211	1330	1354	1524	1456	1455	1177												53002
15-30	323	256	298	335	424	735	1199	1353	1430	1372	1463	1559	1507	834												
30-45	377	276	286	314	419	763	1295	1486	1424	1437	1585	1481	1518	864												
45-00	334	262	276	380	396	991	1230	1398	1379	1477	1522	1555	1515	766												
TOT	1454	1105	1142	1370	1603	3100	4796	5448	5563	5640	6094	6051	5995	3641												43366 9636

TUBE UP SB

AM PEAK HOUR 1030 TO 1130 VOLUME 6122
 PM PEAK HOUR 1200 TO 0100 VOLUME 5995

03/25/05 FRIDAY		AM HOURS												PM HOURS					DAILY TOTAL							
		1	2	3	4	5	6	7	8	9	10	11	12	1	2	3	4	5	6	7	8	9	10	11	12	
00-15	12	1	2	3	4	5	6	7	8	9	10	11	12	1	2	3	4	5	6	7	8	9	10	11	12	426
15-30																										
30-45																										
45-00																										
TOT	12	1	2	3	4	5	6	7	8	9	10	11	12	1	2	3	4	5	6	7	8	9	10	11	12	426

TUBE UP SB

AM PEAK HOUR 0000 TO 0000 VOLUME 0
 PM PEAK HOUR 0000 TO 0000 VOLUME 0

03/21/05 THRU 03/25/05
 TOTAL HOURS FOR COUNT 61

AVG WEEKDAY VOL 95461 FACTOR GROUP R045 105962 FACTOR GROUP R045 80743
 SEASONAL ADJ. FACTOR 1.1100 = 104076 X AXLE CORR FACTOR 0.7620 = ESTIMATED AVG DAILY TRAFFIC 79306
 PEAK HOUR PERCENTAGES : K = 6.99 D = 53.16
 PEAK HOUR LOCATION : VOLUME = 6550 DATE: 03/21/05 TIME: 04:00 PM

NOTE: COUNT HIGH (?)

Interval 60 min. 15 min.

Count(volume) Speed

Binned(CL/SP) Raw

Lane No 1 2

Direction Channel 1 SB

Direction Channel 2 _____

Data Hog # _____

Counter No. 2923-13 ^(Noch. =) Count ID HPMS

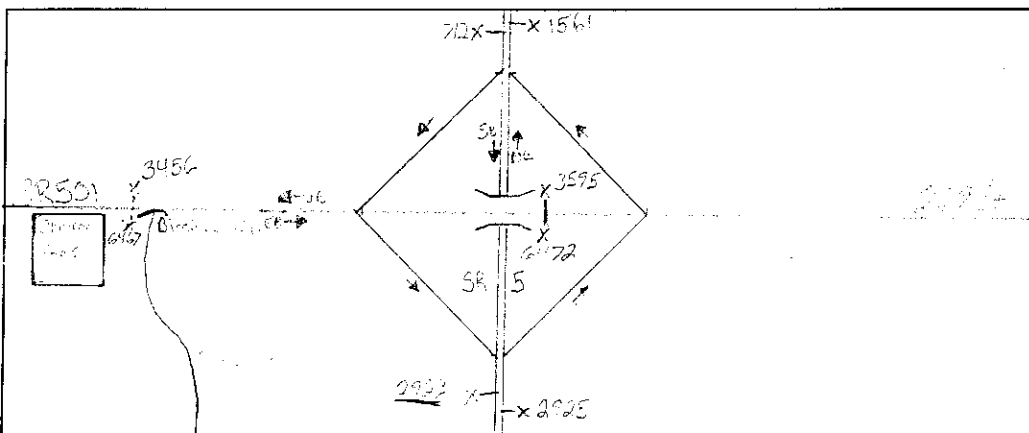
SR 5 RRT/RRQ _____ MP 13.77

Leg 1 Direction SB OSID _____

Station Description - ON SR5 S/O SR501 / HWY 101 + 1/2

Date	Day	Time	Comments
3/21/05	2	1425	Manual (1) <u>10</u> (2) _____ Counter (1) <u>10</u> (2) _____ <i>Note: Set up on HWY 101</i> 6.7
3/22/05	3	820	Manual (1) <u>50</u> (2) _____ Counter (1) <u>50</u> (2) _____ <i>Check OK</i> 6.5
3/23/05	4	1113	Manual (1) <u>50</u> (2) _____ Counter (1) <u>50</u> (2) _____ <i>Tube up front at 1119 Check OK</i> 6.5
3/24/05	5	157	Manual (1) <u>53</u> (2) _____ Counter (1) <u>50</u> (2) _____ <i>Check OK</i> 6.5
3/25/05	6	652	Manual (1) <u>6</u> (2) _____ Counter (1) <u>6</u> (2) _____ <i>Check OK</i> 6.5

Sketch



11/1/05
Field Person

Interval 60 min. 15 min.

Count(volume) Speed

Binned(CL/SP) Raw

Lane No 1 2

Direction Channel 1 NB

Direction Channel 2

Data Hog #

Counter No. 2925-13 ^{week#} Count ID HPMS

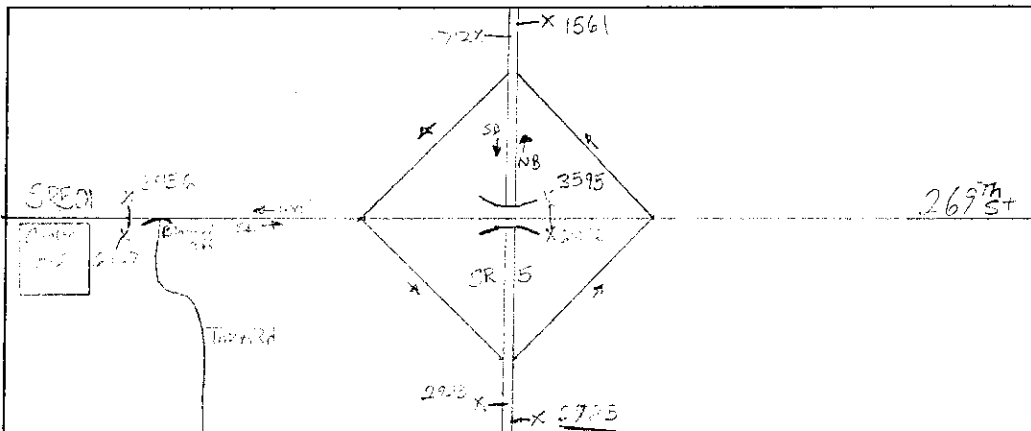
SR 5 RRT/RRQ MP 13.87

Leg 1 Direction NB OSID

Station Description - ON SREON 3/10 SREON / HPMS 20150310

Date	Day	Time	Comments
3/21/05	2	1436	Manual (1) 10 (2) Counter (1) 10 (2) Data set + air models 6.4
3/22/05	3	826	Manual (1) 54 (2) Counter (1) 50 (2) SP=4 check OK
3/23/05	4	1135	Manual (1) 52 (2) Counter (1) 50 (2) SP=2 check OK 6.3
3/24/05	5	849	Manual (1) 52 (2) Counter (1) 50 (2) SP=2 check OK 6.3
3/25/05	6	659	Manual (1) 4 (2) Counter (1) 4 (2) check OK 6.3

Sketch



Field Person

SR 005 MP 013.87 OFF SYSTEM ID. LEG 1 DIRECTION OF TRAFFIC SOUTHBOUND LANE ALL OF
 COUNT IDENTIFIER HPMS COUNTER NUMBER 002923 DESCRIPTION: ON SR 5 S/O SR 501/NW 269TH ST I/C

03/21/05 MONDAY	AM HOURS	PM HOURS	DAILY TOTAL
12	1	2	3
1	2	3	4
	3	4	5
	4	5	6
	5	6	7
	6	7	8
	7	8	9
	8	9	10
	9	10	11
	10	11	12
	11	12	
	12		
TOT	1547	3086	2926
	2697	2213	1568
	1213	1062	971
	816	816	18099

AM PEAK HOUR 0000 TO 0000 VOLUME 0
 PM PEAK HOUR 0315 TO 0415 VOLUME 3126

03/22/05 TUESDAY	AM HOURS	PM HOURS	DAILY TOTAL
12	1	2	3
1	2	3	4
	3	4	5
	4	5	6
	5	6	7
	6	7	8
	7	8	9
	8	9	10
	9	10	11
	10	11	12
	11	12	
	12		
TOT	626	468	524
	578	817	1698
	2715	2873	2624
	2530	2461	2664
	2867	2850	2848
	3041	3077	974
	36035		

AM PEAK HOUR 0700 TO 0800 VOLUME 2873
 PM PEAK HOUR 0400 TO 0500 VOLUME 3077

03/23/05 WEDNESDAY	AM HOURS	PM HOURS	DAILY TOTAL
12	1	2	3
1	2	3	4
	3	4	5
	4	5	6
	5	6	7
	6	7	8
	7	8	9
	8	9	10
	9	10	11
	10	11	12
	11	12	
	12		
TOT	1	1883	2868
	3053	3062	3306
	3174	3089	2349
	1759	1517	1326
	1064	847	29298

AM PEAK HOUR 1100 TO 1200 VOLUME 1883
 PM PEAK HOUR 0300 TO 0400 VOLUME 3306

AM TOTAL 1884
 PM TOTAL 27414

TUBE UP

TUBE UP

SR 005 MP 013.87 OFF SYSTEM ID. LEG 1 DIRECTION OF TRAFFIC SOUTHBOUND LANE ALL OF

COUNT IDENTIFIER HPMS COUNTER NUMBER 002923 DESCRIPTION: ON SR 5 S/O SR 501/NW 269TH ST I/C

03/24/05 THURSDAY		AM HOURS												PM HOURS												DAILY TOTAL																						
00-15	15-30	30-45	45-00	1	2	3	4	5	6	7	8	9	10	11	12	1	2	3	4	5	6	7	8	9	10	11	12																					
197	155	124	161	227	308	696	723	756	602	631	696	701	764	771	820	864	852	602	526	369	377	304	228	197	155	124	161	227	308	696	723	756	602	631	696	701	764	771	820	864	852	602	526	369	377	304	228	49645
157	108	149	158	239	436	725	767	748	640	657	714	695	773	733	798	834	720	604	536	447	365	299	211	157	108	149	158	239	436	725	767	748	640	657	714	695	773	733	798	834	720	604	536	447	365	299	211	
151	142	143	169	229	473	754	742	705	669	734	678	748	821	780	882	846	783	561	447	382	342	237	228	151	142	143	169	229	473	754	742	705	669	734	678	748	821	780	882	846	783	561	447	382	342	237	228	
152	120	119	187	266	537	678	745	628	659	672	726	734	750	725	797	829	695	555	440	375	287	219	157	152	120	119	187	266	537	678	745	628	659	672	726	734	750	725	797	829	695	555	440	375	287	219	157	
TOT	657	525	535	675	961	1754	2853	2977	2837	2550	2694	2814	2878	3108	3009	3297	3373	3050	2322	1949	1573	1371	1059	824	49645																							

AM PEAK HOUR 0715 TO 0815 VOLUME 3010
PM PEAK HOUR 0330 TO 0430 VOLUME 3377

AM TOTAL 21832
PM TOTAL 27813

03/25/05 FRIDAY		AM HOURS												PM HOURS												DAILY TOTAL				
00-15	15-30	30-45	45-00	1	2	3	4	5	6	7	8	9	10	11	12	1	2	3	4	5	6	7	8	9	10	11	12			
194	142	107	131	177	293	520	194	142	107	131	177	293	520	194	142	107	131	177	293	520	194	142	107	131	177	293	520	6429		
159	99	108	116	197	302	600	159	99	108	116	197	302	600	159	99	108	116	197	302	600	159	99	108	116	197	302	600			
166	141	156	179	211	432	665	166	141	156	179	211	432	665	166	141	156	179	211	432	665	166	141	156	179	211	432	665			
152	168	176	167	235	436	152	168	176	167	235	436	152	168	176	167	235	436	152	168	176	167	235	436	152	168	176	167	235	436	
TOT	671	550	547	593	820	1463	671	550	547	593	820	1463	1785	6429																

AM PEAK HOUR 0545 TO 0645 VOLUME 2221
PM PEAK HOUR 0000 TO 0000 VOLUME 0

AM TOTAL 6429
PM TOTAL 0

03/21/05 THRU 03/25/05
TOTAL HOURS FOR COUNT 71

48819 FACTOR GROUP R045
49645 X SEASONAL ADJ. FACTOR 1.1100 = 54189 FACTOR GROUP CB-44
54189 FACTOR CORR FACTOR 0.8342 = ESTIMATED AVG DAILY TRAFFIC 45204
45204

SR 005 MP 013.87 OFF SYSTEM ID. LEG 1 DIRECTION OF TRAFFIC NORTHBOUND LANE ALL OF

COUNT IDENTIFIER HPMS COUNTER NUMBER 002925 DESCRIPTION: ON SR 5 S/O SR 501/NW 269TH ST I/C

03/21/05	MONDAY												AM PEAK HOUR 0000 TO 0430 VOLUME	PM PEAK HOUR 0330 TO 0430 VOLUME	AM TOTAL	PM TOTAL	DAILY TOTAL						
	1	2	3	4	5	6	7	8	9	10	11	12											
00-15	12	1	2	3	4	5	6	7	8	9	10	11	12	657	814	753	648	470	411	342	240	175	
15-30	1	2	3	4	5	6	7	8	9	10	11	12	749	832	840	625	429	316	237	191	191		
30-45	1	2	3	4	5	6	7	8	9	10	11	12	792	787	708	616	458	383	310	239	166		
45-00	1	2	3	4	5	6	7	8	9	10	11	12	755	848	815	699	465	353	222	179	141		
HOUR													755	3046	3248	3000	2352	1725	1504	1190	895	673	18388
TOT													0	3286	0	0	18388						

03/22/05	TUESDAY												AM PEAK HOUR 0000 TO 0430 VOLUME	PM PEAK HOUR 0330 TO 0430 VOLUME	AM TOTAL	PM TOTAL	DAILY TOTAL												
	1	2	3	4	5	6	7	8	9	10	11	12																	
00-15	12	1	2	3	4	5	6	7	8	9	10	11	12	568	633	676	683	706	612	677	720	808	778	686	506	386	363	272	175
15-30	1	2	3	4	5	6	7	8	9	10	11	12	616	600	692	646	652	637	716	744	847	819	703	485	382	356	264	206	
30-45	1	2	3	4	5	6	7	8	9	10	11	12	570	660	714	672	675	685	759	856	791	781	644	342	402	310	268	162	
45-00	1	2	3	4	5	6	7	8	9	10	11	12	615	624	676	616	719	657	787	827	877	720	519	515	342	287	237	168	
HOUR													615	2517	2758	2617	2752	2591	2939	3147	3323	3098	2552	1848	1512	1316	1041	711	45534
TOT													2369	3338	2765	3338	18704	26830											

03/23/05	WEDNESDAY												AM PEAK HOUR 0000 TO 0430 VOLUME	PM PEAK HOUR 0330 TO 0430 VOLUME	AM TOTAL	PM TOTAL	DAILY TOTAL												
	1	2	3	4	5	6	7	8	9	10	11	12																	
00-15	12	1	2	3	4	5	6	7	8	9	10	11	12	640	670	617	663	654	687	715	695	727	737	642	562	393	372	226	244
15-30	1	2	3	4	5	6	7	8	9	10	11	12	615	629	710	688	810	634	709	744	790	787	690	571	446	362	221	213	
30-45	1	2	3	4	5	6	7	8	9	10	11	12	527	712	725	699	686	757	766	778	701	813	686	488	346	339	275	179	
45-00	1	2	3	4	5	6	7	8	9	10	11	12	592	605	662	710	646	641	767	832	744	721	693	466	368	284	231	216	
HOUR													592	2714	2760	2796	2719	2957	3049	2962	3058	2711	2087	1553	1357	953	852	46457	
TOT													2374	3127	2760	3312	19403	27054											

SR 005 MP 013.87 OFF SYSTEM ID. LEG 1 DIRECTION OF TRAFFIC NORTHBOUND LANE ALL OF I

COUNT IDENTIFIER HPMS COUNTER NUMBER 002925 DESCRIPTION: ON SR 5 S/O SR 501/NW 269TH ST I/C

03/24/05 THURSDAY		AM HOURS												PM HOURS												DAILY TOTAL
		1	2	3	4	5	6	7	8	9	10	11	12	1	2	3	4	5	6	7	8	9	10	11	12	
00-15	189	163	156	184	147	326	368	516	603	674	753	709	680	747	789	757	805	802	716	484	478	434	354	251		
15-30	188	130	155	157	169	290	479	617	610	693	719	802	744	801	757	788	821	813	682	530	443	387	314	170		
30-45	202	135	164	151	205	353	547	745	662	710	726	720	712	771	793	836	851	714	538	525	400	362	275	157		
45-00	176	123	168	183	142	424	574	646	644	719	726	748	734	744	858	852	811	761	463	376	318	243	334			
TOT	755	551	623	675	663	1393	1968	2524	2519	2796	2924	2979	2870	3063	3197	3233	3288	3090	2548	2002	1697	1501	1186	912	48957	
									AM PEAK HOUR 1100 TO 1200 VOLUME 2979																AM TOTAL 20370	
									PM PEAK HOUR 0345 TO 0445 VOLUME 3329																PM TOTAL 28587	

03/25/05 FRIDAY		AM HOURS												PM HOURS												DAILY TOTAL
		1	2	3	4	5	6	7	8	9	10	11	12	1	2	3	4	5	6	7	8	9	10	11	12	
00-15	198	111	149	144	175	278	364																			
15-30	203	173	136	184	175	295	436																			
30-45	180	117	181	110	195	352	462																			
45-00	141	178	163	176	254	354																				
TOT	722	579	629	614	799	1279	1262																			5884
									AM PEAK HOUR 0545 TO 0645 VOLUME 1616																	AM TOTAL 5884
									PM PEAK HOUR 0000 TO 0000 VOLUME 0																	PM TOTAL 0

03/21/05 THRU 03/25/05 TOTAL HOURS FOR COUNT 87

3 DAYS AVG WEEKDAY VOL 46983 X FACTOR GROUP R045 1.1100 = 52151 X AXLE CORR FACTOR 0.8342 = ESTIMATED AVG DAILY TRAFFIC 43504

SR 005 MP 013.87 OFF SYSTEM ID. LEG 1 DIRECTION OF TRAFFIC BOTH WAYS LANE ALL OF

COUNT IDENTIFIER HPMS COUNTER NUMBER 002925 DESCRIPTION: ON SR 5 S/O SR 501/NW 269TH ST I/C

03/21/05 MONDAY	AM HOURS												PM HOURS												DAILY TOTAL	
	1	2	3	4	5	6	7	8	9	10	11	12	1	2	3	4	5	6	7	8	9	10	11	12		
00-15	12	1	2	3	4	5	6	7	8	9	10	11	12	1	2	3	4	5	6	7	8	9	10	11	12	1331
15-30	1	2	3	4	5	6	7	8	9	10	11	12	1	2	3	4	5	6	7	8	9	10	11	12	1565	
30-45																										1629
45-00																										1460
TOT																										1460
																										6132
																										6174
																										5697
																										4565
																										3293
																										2717
																										2252
																										1866
																										1489
																										35645

AM PEAK HOUR 0000 TO 0000 VOLUME 0
PM PEAK HOUR 0315 TO 0415 VOLUME 6329

AM TOTAL 0
PM TOTAL 35645

03/22/05 TUESDAY	AM HOURS												PM HOURS												DAILY TOTAL	
	1	2	3	4	5	6	7	8	9	10	11	12	1	2	3	4	5	6	7	8	9	10	11	12		
00-15	12	1	2	3	4	5	6	7	8	9	10	11	12	1	2	3	4	5	6	7	8	9	10	11	12	288
15-30	1	2	3	4	5	6	7	8	9	10	11	12	1	2	3	4	5	6	7	8	9	10	11	12	221	
30-45																										215
45-00																										275
TOT																										1181
																										967
																										1017
																										1086
																										1561
																										2856
																										4681
																										5393
																										4993
																										5047
																										5219
																										5281
																										5419
																										5441
																										5787
																										6188
																										6400
																										4072

AM PEAK HOUR 0700 TO 0800 VOLUME 5393
PM PEAK HOUR 0400 TO 0500 VOLUME 6400

AM TOTAL 39282
PM TOTAL 33307

03/23/05 WEDNESDAY	AM HOURS												PM HOURS												DAILY TOTAL	
	1	2	3	4	5	6	7	8	9	10	11	12	1	2	3	4	5	6	7	8	9	10	11	12		
00-15	12	1	2	3	4	5	6	7	8	9	10	11	12	1	2	3	4	5	6	7	8	9	10	11	12	288
15-30	1	2	3	4	5	6	7	8	9	10	11	12	1	2	3	4	5	6	7	8	9	10	11	12	221	
30-45																										215
45-00																										275
TOT																										1181
																										967
																										1017
																										1086
																										1561
																										2856
																										4681
																										5393
																										4993
																										5047
																										5219
																										5281
																										5419
																										5787
																										6188
																										6400
																										4072

AM PEAK HOUR 1100 TO 1200 VOLUME 4643
PM PEAK HOUR 0330 TO 0430 VOLUME 6387

AM TOTAL 7358
PM TOTAL 54468

SR 005 MP 013.87 OFF SYSTEM ID. LEG 1 DIRECTION OF TRAFFIC BOTH WAYS LANE ALL OF

COUNT IDENTIFIER HPMS COUNTER NUMBER 002925 DESCRIPTION: ON SR 5 S/O SR 501/NW 269TH ST I/C

03/24/05 THURSDAY	AM HOURS	PM HOURS	DAILY TOTAL	
12	1	2	12	12
1	2	3	1	3
2	3	4	2	4
3	4	5	3	5
4	5	6	4	6
5	6	7	5	7
6	7	8	6	8
7	8	9	7	9
8	9	10	8	10
9	10	11	9	11
10	11	12	10	12
11	12	1	11	1
12	1	2	12	2
1	2	3	1	3
2	3	4	2	4
3	4	5	3	5
4	5	6	4	6
5	6	7	5	7
6	7	8	6	8
7	8	9	7	9
8	9	10	8	10
9	10	11	9	11
10	11	12	10	12
11	12	1	11	1
12	1	2	12	2
1	2	3	1	3
2	3	4	2	4
3	4	5	3	5
4	5	6	4	6
5	6	7	5	7
6	7	8	6	8
7	8	9	7	9
8	9	10	8	10
9	10	11	9	11
10	11	12	10	12
11	12	1	11	1
12	1	2	12	2
1	2	3	1	3
2	3	4	2	4
3	4	5	3	5
4	5	6	4	6
5	6	7	5	7
6	7	8	6	8
7	8	9	7	9
8	9	10	8	10
9	10	11	9	11
10	11	12	10	12
11	12	1	11	1
12	1	2	12	2
1	2	3	1	3
2	3	4	2	4
3	4	5	3	5
4	5	6	4	6
5	6	7	5	7
6	7	8	6	8
7	8	9	7	9
8	9	10	8	10
9	10	11	9	11
10	11	12	10	12
11	12	1	11	1
12	1	2	12	2
1	2	3	1	3
2	3	4	2	4
3	4	5	3	5
4	5	6	4	6
5	6	7	5	7
6	7	8	6	8
7	8	9	7	9
8	9	10	8	10
9	10	11	9	11
10	11	12	10	12
11	12	1	11	1
12	1	2	12	2
1	2	3	1	3
2	3	4	2	4
3	4	5	3	5
4	5	6	4	6
5	6	7	5	7
6	7	8	6	8
7	8	9	7	9
8	9	10	8	10
9	10	11	9	11
10	11	12	10	12
11	12	1	11	1
12	1	2	12	2
1	2	3	1	3
2	3	4	2	4
3	4	5	3	5
4	5	6	4	6
5	6	7	5	7
6	7	8	6	8
7	8	9	7	9
8	9	10	8	10
9	10	11	9	11
10	11	12	10	12
11	12	1	11	1
12	1	2	12	2
1	2	3	1	3
2	3	4	2	4
3	4	5	3	5
4	5	6	4	6
5	6	7	5	7
6	7	8	6	8
7	8	9	7	9
8	9	10	8	10
9	10	11	9	11
10	11	12	10	12
11	12	1	11	1
12	1	2	12	2
1	2	3	1	3
2	3	4	2	4
3	4	5	3	5
4	5	6	4	6
5	6	7	5	7
6	7	8	6	8
7	8	9	7	9
8	9	10	8	10
9	10	11	9	11
10	11	12	10	12
11	12	1	11	1
12	1	2	12	2
1	2	3	1	3
2	3	4	2	4
3	4	5	3	5
4	5	6	4	6
5	6	7	5	7
6	7	8	6	8
7	8	9	7	9
8	9	10	8	10
9	10	11	9	11
10	11	12	10	12
11	12	1	11	1
12	1	2	12	2
1	2	3	1	3
2	3	4	2	4
3	4	5	3	5
4	5	6	4	6
5	6	7	5	7
6	7	8	6	8
7	8	9	7	9
8	9	10	8	10
9	10	11	9	11
10	11	12	10	12
11	12	1	11	1
12	1	2	12	2
1	2	3	1	3
2	3	4	2	4
3	4	5	3	5
4	5	6	4	6
5	6	7	5	7
6	7	8	6	8
7	8	9	7	9
8	9	10	8	10
9	10	11	9	11
10	11	12	10	12
11	12	1	11	1
12	1	2	12	2
1	2	3	1	3
2	3	4	2	4
3	4	5	3	5
4	5	6	4	6
5	6	7	5	7
6	7	8	6	8
7	8	9	7	9
8	9	10	8	10
9	10	11	9	11
10	11	12	10	12
11	12	1	11	1
12	1	2	12	2
1	2	3	1	3
2	3	4	2	4
3	4	5	3	5
4	5	6	4	6
5	6	7	5	7
6	7	8	6	8
7	8	9	7	9
8	9	10	8	10
9	10	11	9	11
10	11	12	10	12
11	12	1	11	1
12	1	2	12	2
1	2	3	1	3
2	3	4	2	4
3	4	5	3	5
4	5	6	4	6
5	6	7	5	7
6	7	8	6	8
7	8	9	7	9
8	9	10	8	10
9	10	11	9	11
10	11	12	10	12
11	12	1	11	1
12	1	2	12	2
1	2	3	1	3
2	3	4	2	4
3	4	5	3	5
4	5	6	4	6
5	6	7	5	7
6	7	8	6	8
7	8	9	7	9
8	9	10	8	10
9	10	11	9	11
10	11	12	10	12
11	12	1	11	1
12	1	2	12	2
1	2	3	1	3
2	3	4	2	4
3	4	5	3	5
4	5	6	4	6
5	6	7	5	7
6	7	8	6	8
7	8	9	7	9
8	9	10	8	10
9	10	11	9	11
10	11	12	10	12
11	12	1	11	1
12	1	2	12	2
1	2	3	1	3
2	3	4	2	4
3	4	5	3	5
4	5	6	4	6
5	6	7	5	7
6	7	8	6	8
7	8	9	7	9
8	9	10	8	10
9	10	11	9	11
10	11	12	10	12
11	12	1	11	1
12	1	2	12	2
1	2	3	1	3
2	3	4	2	4
3	4	5	3	5
4	5	6	4	6
5	6	7	5	7
6	7	8	6	8
7	8	9	7	9
8	9	10	8	10
9	10	11	9	11
10	11	12	10	12
11	12	1	11	1
12	1	2	12	2
1	2	3	1	3
2	3	4	2	4
3	4	5	3	5
4	5	6	4	6
5	6	7	5	7
6	7	8	6	8
7	8	9	7	9
8	9	10	8	10
9	10	11	9	11
10	11	12	10	12
11	12	1	11	1
12	1	2	12	2
1	2	3	1	3
2	3	4	2	4
3	4	5	3	5
4	5	6	4	6
5	6	7	5	7
6	7	8	6	8
7	8	9	7	9
8	9	10	8	10
9	10	11	9	11
10	11	12	10	12
11	12	1	11	1
12	1	2	12	2
1	2	3	1	3
2	3	4	2	4
3	4	5	3	5
4	5	6	4	6
5	6	7	5	7
6	7	8	6	8
7	8	9	7	9
8	9	10	8	10
9	10	11	9	11
10	11	12	10	12
11	12	1	11	1
12	1	2	12	2
1	2	3	1	3
2	3	4	2	4
3	4	5	3	5
4	5	6	4	6
5	6	7	5	7
6	7	8	6	8
7	8	9	7	9
8	9	10	8	10
9	10	11	9	11
10	11	12	10	12
11	12	1	11	1
12	1	2	12	2
1	2	3	1	3
2	3	4	2	4
3	4	5	3	5
4	5	6	4	6
5	6	7	5	7
6	7	8	6	8
7	8	9	7	9
8	9	10	8	10
9	10	11	9	11
10	11	12	10	12
11	12	1	11	1
12	1	2	12	2
1	2	3	1	3
2	3	4	2	4
3	4	5	3	5
4	5	6	4	6
5	6	7	5	7
6	7	8	6	8
7	8	9	7	9
8	9	10	8	10
9	10	11	9	11
10	11	12	10	12
11	12	1	11	1
12	1	2	12	2
1	2	3	1	3
2	3	4	2	4
3	4	5	3	5
4	5	6	4	6
5	6	7	5	7
6	7	8	6	8
7	8	9	7	9
8	9	10	8	10
9	10	11	9	11
10	11	12	10	12
11	12	1	11	1
12	1	2	12	2
1	2	3	1	3
2	3	4	2	4
3	4	5	3	5
4	5	6	4	6
5	6	7	5	7
6	7	8</		