

Interval 60 min. 15 min.

Count(volume) Speed

Binned(CL/SP) Raw

Lane No 1 2

Direction Channel 1 BW

Direction Channel 2 NB

Data Hog # 7064

Counter No. 3496-13 Count ID SP#05-006

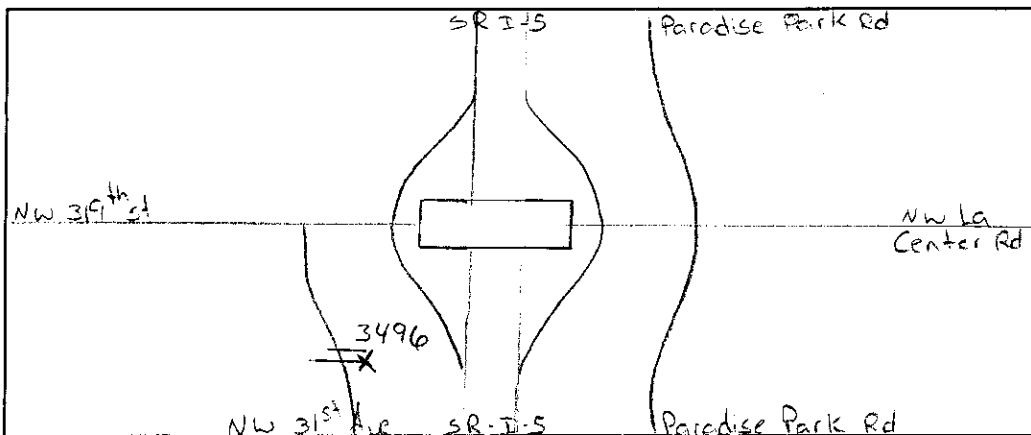
SR. 005 RRT/RRQ MP 16.80

Leg S Direction See 1,2 OSID A

Station Description _ ON NW 31st Ave S/O NW 319th St

Date	Day	Time	Comments
3-21-05	2	11:18	Manual (1) <u>1</u> (2) <u>3</u> Set Ok Counter (1) <u>1</u> (2) <u>3</u> CS/MD 6.7V
3-22-05	3	7:18	Manual (1) <u>5</u> (2) <u>2</u> Check Ok Counter (1) <u>5</u> (2) <u>2</u> CS/MD 6.4V
3-23-05	4	5:30	Manual (1) <u>1</u> (2) <u>1</u> Check Ok Counter (1) <u>1sv</u> (2) <u>1sv</u> CS/MD 6.4V
3-24-05	5	7:36	Manual (1) <u>11</u> (2) <u>5</u> Check Ok Counter (1) <u>11</u> (2) <u>5</u> CS/MD 6.4V
3-25-05	6	7:36	Manual (1) <u> </u> (2) <u> </u> Pick Up Counter Dead - turned off then on Counter (1) <u> </u> (2) <u> </u> CS/MD It worked, and wrote info 6.6V

Sketch



C. Shelton / M. Dietz
Field Person

SR 005 MP 016.80 OFF SYSTEM ID. A LEG S DIRECTION OF TRAFFIC SOUTHBOUND LANE ALL OF

COUNT IDENTIFIER 05-006 COUNTER NUMBER 003496 DESCRIPTION: ON NW 31ST AVE S/O NW 319TH ST

03/21/05 MONDAY	AM HOURS												PM HOURS												DAILY TOTAL
	12	1	2	3	4	5	6	7	8	9	10	11	12	1	2	3	4	5	6	7	8	9	10	11	
12	1	2	3	4	5	6	7	8	9	10	11	12	1	2	3	4	5	6	7	8	9	10	11	12	163
1	2	3	4	5	6	7	8	9	10	11	12	1	2	3	4	5	6	7	8	9	10	11	12	163	
TOT	1	2	3	4	5	6	7	8	9	10	11	12	1	2	3	4	5	6	7	8	9	10	11	12	163

AM PEAK HOUR 0000 TO 0000 VOLUME 0
PM PEAK HOUR 0415 TO 0515 VOLUME 45

03/22/05 TUESDAY	AM HOURS												PM HOURS												DAILY TOTAL
	12	1	2	3	4	5	6	7	8	9	10	11	12	1	2	3	4	5	6	7	8	9	10	11	
12	1	2	3	4	5	6	7	8	9	10	11	12	1	2	3	4	5	6	7	8	9	10	11	12	173
1	2	3	4	5	6	7	8	9	10	11	12	1	2	3	4	5	6	7	8	9	10	11	12	173	
TOT	2	4	2	2	2	6	22	47	19	28	18	23	26	33	27	51	44	41	30	20	6	7	8	4	470

AM PEAK HOUR 0700 TO 0800 VOLUME 47
PM PEAK HOUR 0300 TO 0400 VOLUME 51

03/23/05 WEDNESDAY	AM HOURS												PM HOURS												DAILY TOTAL
	12	1	2	3	4	5	6	7	8	9	10	11	12	1	2	3	4	5	6	7	8	9	10	11	
12	1	2	3	4	5	6	7	8	9	10	11	12	1	2	3	4	5	6	7	8	9	10	11	12	163
1	2	3	4	5	6	7	8	9	10	11	12	1	2	3	4	5	6	7	8	9	10	11	12	163	
TOT	1	2	2	3	3	8	24	46	23	17	23	19	18	30	30	25	45	34	32	17	12	8	4	5	423

AM PEAK HOUR 0700 TO 0800 VOLUME 46
PM PEAK HOUR 0345 TO 0445 VOLUME 46

SR 005 MP 016.80 OFF SYSTEM ID. A LEG S DIRECTION OF TRAFFIC SOUTHBOUND LANE ALL OF
 COUNT IDENTIFIER 05-006 COUNTER NUMBER 003496 DESCRIPTION: ON NW 31ST AVE S/O NW 319TH ST

03/24/05 THURSDAY	AM HOURS	PM HOURS	AM PEAK HOUR 0700 TO 0800 VOLUME	PM PEAK HOUR 0415 TO 0515 VOLUME	AM TOTAL	PM TOTAL	DAILY TOTAL
12	1	2	25	28	48	48	199
1	2	3	32	30	44	44	308
2	3	4	44	29	26	44	6
3	4	5	44	29	26	44	6
4	5	6	48	29	26	44	6
5	6	7	48	29	26	44	6
6	7	8	48	29	26	44	6
7	8	9	48	29	26	44	6
8	9	10	48	29	26	44	6
9	10	11	48	29	26	44	6
10	11	12	48	29	26	44	6
11	12	1	48	29	26	44	6
12	1	2	48	29	26	44	6
TOT	1	2	48	29	26	44	6

507

03/25/05 FRIDAY	AM HOURS	PM HOURS	AM PEAK HOUR 0630 TO 0730 VOLUME	PM PEAK HOUR 0000 TO 0000 VOLUME	AM TOTAL	PM TOTAL	DAILY TOTAL
12	1	2	24	20	44	40	84
1	2	3	24	20	44	40	84
2	3	4	24	20	44	40	84
3	4	5	24	20	44	40	84
4	5	6	24	20	44	40	84
5	6	7	24	20	44	40	84
6	7	8	24	20	44	40	84
7	8	9	24	20	44	40	84
8	9	10	24	20	44	40	84
9	10	11	24	20	44	40	84
10	11	12	24	20	44	40	84
11	12	1	24	20	44	40	84
12	1	2	24	20	44	40	84
TOT	3	3	24	20	44	40	84

03/21/05 THRU 03/25/05 TOTAL HOURS FOR COUNT 88
 3 DAYS AVG WEEKDAY VOL 467 X SEASONAL ADJ. FACTOR 1.0000 = 467 X AXLE CORR FACTOR 1.0000 = ESTIMATED AVG DAILY TRAFFIC 465

SR 005 MP 016.80 OFF SYSTEM ID. A LEG S DIRECTION OF TRAFFIC NORTHBOUND LANE ALL OF

COUNT IDENTIFIER 05-006 COUNTER NUMBER 003496 DESCRIPTION: ON NW 31ST AVE S/O NW 319TH ST

03/24/05 THURSDAY	AM HOURS												PM HOURS												DAILY TOTAL
	12	1	2	3	4	5	6	7	8	9	10	11	12	1	2	3	4	5	6	7	8	9	10	11	
12	1	2	3	4	5	6	7	8	9	10	11	12	1	2	3	4	5	6	7	8	9	10	11	12	186
1	2	3	4	5	6	7	8	9	10	11	12	1	2	3	4	5	6	7	8	9	10	11	12	447	
00-15	2	2	1	1	2	5	8	8	7	3	5	7	7	7	10	7	8	5	8	1	3	1	2	1	
15-30	2	2	1	1	2	7	3	9	5	2	8	13	4	4	5	7	2	3	6	5	1	1	2	1	
30-45						8	12	5	8	3	11	5	4	5	4	10	15	14	10	7	1	1	1	1	
45-00						14	12	6	4	8	10	4	11	12	11	7	4	4	5	5	4	2	1	1	
HOUR	2	4	1	1	1	7	34	28	24	16	34	29	29	34	45	32	26	29	18	8	5	4	2	186	
TOT																								261	

AM PEAK HOUR 0730 TO 0830 VOLUME 41
 PM PEAK HOUR 0315 TO 0415 VOLUME 46

AM PEAK HOUR 0630 TO 0730 VOLUME 26
 PM PEAK HOUR 0000 TO 0000 VOLUME 0

AM TOTAL 49
 PM TOTAL 0

03/25/05 FRIDAY AM HOURS

03/21/05 THRU 03/25/05	AM HOURS												PM HOURS												DAILY TOTAL	
TOTAL HOURS FOR COUNT	12	1	2	3	4	5	6	7	8	9	10	11	12	1	2	3	4	5	6	7	8	9	10	11		12
89	12	1	2	3	4	5	6	7	8	9	10	11	12	1	2	3	4	5	6	7	8	9	10	11	12	49
	1	2	3	4	5	6	7	8	9	10	11	12	1	2	3	4	5	6	7	8	9	10	11	12	0	
00-15	1	1	1	2	1	2	2	2	2	2	2	2	2	2	2	2	2	2	2	2	2	2	2	2	1	
15-30	1	1	1	2	1	2	2	2	2	2	2	2	2	2	2	2	2	2	2	2	2	2	2	2	1	
30-45						4	8	4	4	3	8	5	4	4	4	4	4	4	4	4	4	4	4	1		
45-00						3	5	3	3	3	5	3	3	3	3	3	3	3	3	3	3	3	3	1		
HOUR	1	2	1	3	2	10	17	13																	49	
TOT																									49	

AVG WEEKDAY VOL 443 X SEASONAL ADJ. FACTOR 1.0000 = 438
 FACTOR GROUP 438 X AXLE CORR FACTOR 1.0000 = ESTIMATED AVG DAILY TRAFFIC 443

SR 005 MP 016.80 OFF SYSTEM ID. A LEG S DIRECTION OF TRAFFIC BOTH WAYS LANE ALL OF

COUNT IDENTIFIER 05-006 COUNTER NUMBER 003496 DESCRIPTION: ON NW 31ST AVE S/O NW 319TH ST

03/21/05	MONDAY												DAILY TOTAL	
	12	1	2	3	4	5	6	7	8	9	10	11		12
00-15														
15-30														
30-45														
45-00														
HOUR	12	1	2	3	4	5	6	7	8	9	10	11	12	
TOT	12	1	2	3	4	5	6	7	8	9	10	11	12	542

AM PEAK HOUR 0000 TO 0000 VOLUME 0
PM PEAK HOUR 0230 TO 0330 VOLUME 91

03/22/05	TUESDAY												DAILY TOTAL	
	12	1	2	3	4	5	6	7	8	9	10	11		12
00-15														
15-30														
30-45														
45-00														
HOUR	12	1	2	3	4	5	6	7	8	9	10	11	12	
TOT	12	1	2	3	4	5	6	7	8	9	10	11	12	907

AM PEAK HOUR 0700 TO 0800 VOLUME 82
PM PEAK HOUR 0300 TO 0400 VOLUME 103

03/23/05	WEDNESDAY												DAILY TOTAL	
	12	1	2	3	4	5	6	7	8	9	10	11		12
00-15														
15-30														
30-45														
45-00														
HOUR	12	1	2	3	4	5	6	7	8	9	10	11	12	
TOT	12	1	2	3	4	5	6	7	8	9	10	11	12	851

AM PEAK HOUR 0700 TO 0800 VOLUME 83
PM PEAK HOUR 0400 TO 0500 VOLUME 97

SR 005 MP 016.80 OFF SYSTEM ID. A LEG S DIRECTION OF TRAFFIC BOTH WAYS LANE ALL OF

COUNT IDENTIFIER 05-006 COUNTER NUMBER 003496 DESCRIPTION: ON NW 31ST AVE S/O NW 319TH ST

03/24/05 THURSDAY	AM HOURS												PM HOURS												DAILY TOTAL								
	1	2	3	4	5	6	7	8	9	10	11	12	1	2	3	4	5	6	7	8	9	10	11	12									
12	1	2	3	4	5	6	7	8	9	10	11	12	1	2	3	4	5	6	7	8	9	10	11	12	89								
1	2	3	4	5	6	7	8	9	10	11	12	1	2	3	4	5	6	7	8	9	10	11	12	89									
2	3	1	2	4	5	6	7	8	9	10	11	12	1	2	3	4	5	6	7	8	9	10	11	12	89								
3	2	1	2	1	2	3	4	5	6	7	8	9	10	11	12	1	2	3	4	5	6	7	8	9	89								
4	5	6	7	8	9	10	11	12	1	2	3	4	5	6	7	8	9	10	11	12	1	2	3	4	5	6	7	8	9	10	11	12	89
5	6	7	8	9	10	11	12	1	2	3	4	5	6	7	8	9	10	11	12	1	2	3	4	5	6	7	8	9	10	11	12	89	
6	7	8	9	10	11	12	1	2	3	4	5	6	7	8	9	10	11	12	1	2	3	4	5	6	7	8	9	10	11	12	89		
7	8	9	10	11	12	1	2	3	4	5	6	7	8	9	10	11	12	1	2	3	4	5	6	7	8	9	10	11	12	89			
8	9	10	11	12	1	2	3	4	5	6	7	8	9	10	11	12	1	2	3	4	5	6	7	8	9	10	11	12	89				
9	10	11	12	1	2	3	4	5	6	7	8	9	10	11	12	1	2	3	4	5	6	7	8	9	10	11	12	89					
10	11	12	1	2	3	4	5	6	7	8	9	10	11	12	1	2	3	4	5	6	7	8	9	10	11	12	89						
11	12	1	2	3	4	5	6	7	8	9	10	11	12	1	2	3	4	5	6	7	8	9	10	11	12	89							
12	1	2	3	4	5	6	7	8	9	10	11	12	1	2	3	4	5	6	7	8	9	10	11	12	89								
TOT	3	6	2	2	1	13	58	83	53	52	48	64	58	73	60	81	76	68	64	39	22	12	8	8	8	8	8	8	8	8	954		

AM PEAK HOUR 0700 TO 0800 VOLUME 83
PM PEAK HOUR 0330 TO 0430 VOLUME 86

03/25/05 FRIDAY	AM HOURS												PM HOURS												DAILY TOTAL									
	1	2	3	4	5	6	7	8	9	10	11	12	1	2	3	4	5	6	7	8	9	10	11	12										
12	1	2	3	4	5	6	7	8	9	10	11	12	1	2	3	4	5	6	7	8	9	10	11	12	89									
1	2	3	4	5	6	7	8	9	10	11	12	1	2	3	4	5	6	7	8	9	10	11	12	89										
2	3	4	5	6	7	8	9	10	11	12	1	2	3	4	5	6	7	8	9	10	11	12	89											
3	4	5	6	7	8	9	10	11	12	1	2	3	4	5	6	7	8	9	10	11	12	1	2	3	4	5	6	7	8	9	10	11	12	89
4	5	6	7	8	9	10	11	12	1	2	3	4	5	6	7	8	9	10	11	12	1	2	3	4	5	6	7	8	9	10	11	12	89	
5	6	7	8	9	10	11	12	1	2	3	4	5	6	7	8	9	10	11	12	1	2	3	4	5	6	7	8	9	10	11	12	89		
6	7	8	9	10	11	12	1	2	3	4	5	6	7	8	9	10	11	12	1	2	3	4	5	6	7	8	9	10	11	12	89			
7	8	9	10	11	12	1	2	3	4	5	6	7	8	9	10	11	12	1	2	3	4	5	6	7	8	9	10	11	12	89				
8	9	10	11	12	1	2	3	4	5	6	7	8	9	10	11	12	1	2	3	4	5	6	7	8	9	10	11	12	89					
9	10	11	12	1	2	3	4	5	6	7	8	9	10	11	12	1	2	3	4	5	6	7	8	9	10	11	12	89						
10	11	12	1	2	3	4	5	6	7	8	9	10	11	12	1	2	3	4	5	6	7	8	9	10	11	12	89							
11	12	1	2	3	4	5	6	7	8	9	10	11	12	1	2	3	4	5	6	7	8	9	10	11	12	89								
12	1	2	3	4	5	6	7	8	9	10	11	12	1	2	3	4	5	6	7	8	9	10	11	12	89									
TOT	4	5	2	4	2	15	37	20	53	52	48	64	58	73	60	81	76	68	64	39	22	12	8	8	8	8	8	8	8	8	89			

03/21/05 THRU 03/25/05
TOTAL HOURS FOR COUNT 88

3 DAYS 904 FACTOR GROUP 904
AVG WEEKDAY VOL 903 X SEASONAL ADJ. FACTOR 1.0000 = 903 X AXLE CORR FACTOR 1.0000 = ESTIMATED AVG DAILY TRAFFIC 903
PEAK HOUR PERCENTAGES: K = 11.41 D = 50.49
PEAK HOUR LOCATION : VOLUME = 103 DATE: 03/22/05 TIME: 03:00 PM



Interval 60 min. 15 min.

Count(volume) Speed

Binned(CL/SP) Raw

Lane No 1 2

Direction Channel 1 BW

Direction Channel 2 EB

Data Hog # 7064

Counter No. 3423-13 Count ID SP#05-006

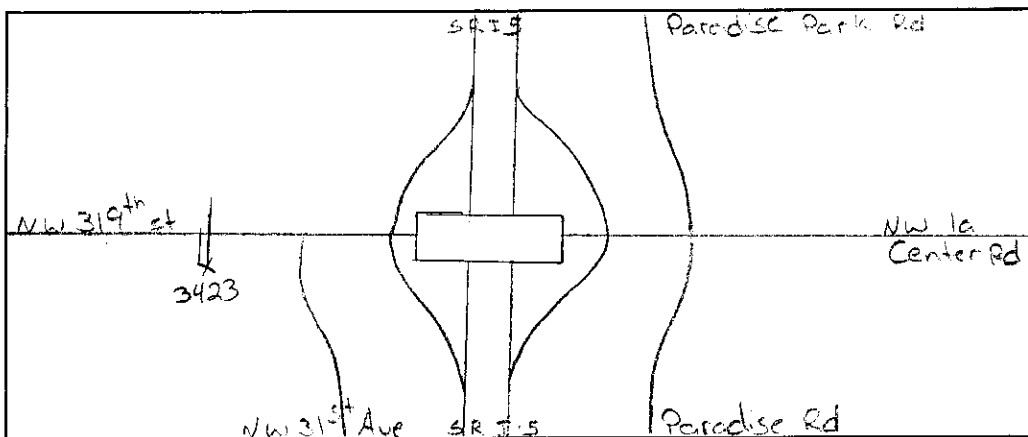
SR 005 RRT/RRQ MP 16.80

Leg W Direction See 1,2 OSID A

Station Description ON ^{NW} 319th St W/O NW 31st Ave

Date	Day	Time	Comments	
3-21-05	2	11:26	Manual (1) 2 (2) 2 Counter (1) 2 (2) 2	Set Ok CS/MD 6.7V
3-22-05	3	7:08	Manual (1) 5 (2) 1 Counter (1) 5 (2) 1	Check Ok 2 Cars went over opposite lane CS/MD (WB) 6.6V
3-23-05	4	5:25	Manual (1) 1 (2) 1 Counter (1) 1sv (2) 1sv	Check Ok CS/MD 6.4V
3-24-05	5	7:25	Manual (1) 4 (2) 2 Counter (1) 4 (2) 2	Check Ok NO DATA ON THUR 3/24 CS/MD 6.6V
3-25-05	6	7:32	Manual (1) 1 (2) 1 Counter (1) 1 (2) 1	Pick Up CS/MD 6.6V

Sketch



C. Shelton / M. Dietz
Field Person

SR 005 MP 016.80 OFF SYSTEM ID. A LEG W DIRECTION OF TRAFFIC WESTBOUND LANE ALL OF
 COUNT IDENTIFIER 05-006 COUNTER NUMBER 003423 DESCRIPTION: ON NW 319TH ST W/O NW 31ST AVE

03/21/05 MONDAY	AM HOURS	PM HOURS	AM TOTAL	PM TOTAL	DAILY TOTAL
12	1	2	3	4	7
1	2	3	4	5	9
	3	4	5	6	10
	4	5	6	7	11
	5	6	7	8	12
	6	7	8	9	
	7	8	9	10	
	8	9	10	11	
	9	10	11	12	
	10	11	12	1	
	11	12	1	2	
	12	1	2	3	
		2	3	4	
		3	4	5	
		4	5	6	
		5	6	7	
		6	7	8	
		7	8	9	
		8	9	10	
		9	10	11	
		10	11	12	
		11	12	1	
		12	1	2	
		1	2	3	
		2	3	4	
		3	4	5	
		4	5	6	
		5	6	7	
		6	7	8	
		7	8	9	
		8	9	10	
		9	10	11	
		10	11	12	
		11	12	1	
		12	1	2	
		1	2	3	
		2	3	4	
		3	4	5	
		4	5	6	
		5	6	7	
		6	7	8	
		7	8	9	
		8	9	10	
		9	10	11	
		10	11	12	
		11	12	1	
		12	1	2	
		1	2	3	
		2	3	4	
		3	4	5	
		4	5	6	
		5	6	7	
		6	7	8	
		7	8	9	
		8	9	10	
		9	10	11	
		10	11	12	
		11	12	1	
		12	1	2	
		1	2	3	
		2	3	4	
		3	4	5	
		4	5	6	
		5	6	7	
		6	7	8	
		7	8	9	
		8	9	10	
		9	10	11	
		10	11	12	
		11	12	1	
		12	1	2	
		1	2	3	
		2	3	4	
		3	4	5	
		4	5	6	
		5	6	7	
		6	7	8	
		7	8	9	
		8	9	10	
		9	10	11	
		10	11	12	
		11	12	1	
		12	1	2	
		1	2	3	
		2	3	4	
		3	4	5	
		4	5	6	
		5	6	7	
		6	7	8	
		7	8	9	
		8	9	10	
		9	10	11	
		10	11	12	
		11	12	1	
		12	1	2	
		1	2	3	
		2	3	4	
		3	4	5	
		4	5	6	
		5	6	7	
		6	7	8	
		7	8	9	
		8	9	10	
		9	10	11	
		10	11	12	
		11	12	1	
		12	1	2	
		1	2	3	
		2	3	4	
		3	4	5	
		4	5	6	
		5	6	7	
		6	7	8	
		7	8	9	
		8	9	10	
		9	10	11	
		10	11	12	
		11	12	1	
		12	1	2	
		1	2	3	
		2	3	4	
		3	4	5	
		4	5	6	
		5	6	7	
		6	7	8	
		7	8	9	
		8	9	10	
		9	10	11	
		10	11	12	
		11	12	1	
		12	1	2	
		1	2	3	
		2	3	4	
		3	4	5	
		4	5	6	
		5	6	7	
		6	7	8	
		7	8	9	
		8	9	10	
		9	10	11	
		10	11	12	
		11	12	1	
		12	1	2	
		1	2	3	
		2	3	4	
		3	4	5	
		4	5	6	
		5	6	7	
		6	7	8	
		7	8	9	
		8	9	10	
		9	10	11	
		10	11	12	
		11	12	1	
		12	1	2	
		1	2	3	
		2	3	4	
		3	4	5	
		4	5	6	
		5	6	7	
		6	7	8	
		7	8	9	
		8	9	10	
		9	10	11	
		10	11	12	
		11	12	1	
		12	1	2	
		1	2	3	
		2	3	4	
		3	4	5	
		4	5	6	
		5	6	7	
		6	7	8	
		7	8	9	
		8	9	10	
		9	10	11	
		10	11	12	
		11	12	1	
		12	1	2	
		1	2	3	
		2	3	4	
		3	4	5	
		4	5	6	
		5	6	7	
		6	7	8	
		7	8	9	
		8	9	10	
		9	10	11	
		10	11	12	
		11	12	1	
		12	1	2	
		1	2	3	
		2	3	4	
		3	4	5	
		4	5	6	
		5	6	7	
		6	7	8	
		7	8	9	
		8	9	10	
		9	10	11	
		10	11	12	
		11	12	1	
		12	1	2	
		1	2	3	
		2	3	4	
		3	4	5	
		4	5	6	
		5	6	7	
		6	7	8	
		7	8	9	
		8	9	10	
		9	10	11	
		10	11	12	
		11	12	1	
		12	1	2	
		1	2	3	
		2	3	4	
		3	4	5	
		4	5	6	
		5	6	7	
		6	7	8	
		7	8	9	
		8	9	10	
		9	10	11	
		10	11	12	
		11	12	1	
		12	1	2	
		1	2	3	
		2	3	4	
		3	4	5	
		4	5	6	
		5	6	7	
		6	7	8	
		7	8	9	
		8	9	10	
		9	10	11	
		10	11	12	
		11	12	1	
		12	1	2	
		1	2	3	
		2	3	4	
		3	4	5	
		4	5	6	
		5	6	7	
		6	7	8	
		7	8	9	
		8	9	10	
		9	10	11	
		10	11	12	
		11	12	1	
		12	1	2	
		1	2	3	
		2	3	4	
		3	4	5	
		4	5	6	
		5	6	7	
		6	7	8	
		7	8	9	
		8	9	10	
		9	10	11	
		10	11	12	
		11	12	1	
		12	1	2	
		1	2	3	
		2	3	4	
		3	4	5	
		4	5	6	
		5	6	7	
		6	7	8	
		7	8	9	
		8	9	10	
		9	10	11	
		10	11	12	
		11	12	1	
		12	1	2	
		1	2	3	
		2	3	4	
		3	4	5	
		4	5	6	
		5	6	7	
		6	7	8	
		7	8	9	
		8	9	10	
		9	10	11	
		10	11	12	
		11	12	1	
		12	1	2	
		1	2	3	
		2	3	4	
		3	4	5	
		4	5	6	
		5	6	7	
		6	7	8	
		7	8	9	
		8	9	10	
		9	10	11	
		10	11	12	
		11	12	1	
		12	1	2	
		1	2	3	
		2	3	4	
		3	4	5	
		4	5	6	
		5	6	7	
		6	7	8	
		7	8	9	
		8	9	10	
		9	10	11	
		10	11	12	
		11	12	1	
		12	1	2	
		1	2	3	
		2	3	4	
		3	4	5	
		4	5	6	
		5	6	7	
		6	7	8	
		7	8	9	
		8	9	10	
		9	10	11	
		10	11	12	
		11	12	1	
		12	1	2	
		1	2	3	
		2	3	4	
		3	4	5	
		4	5	6	
		5	6	7	
		6	7	8	
		7	8	9	
		8	9	10	
		9	10	11	
		10	11	12	
		11	12	1	
		12	1	2	
		1	2	3	
</					

SR 005 MP 016.80 OFF SYSTEM ID. A LEG W DIRECTION OF TRAFFIC EASTBOUND LANE ALL OF

COUNT IDENTIFIER 05-006 COUNTER NUMBER 003423 DESCRIPTION: ON NW 319TH ST W/O NW 31ST AVE

03/21/05	MONDAY	AM HOURS												PM HOURS												DAILY TOTAL
		1	2	3	4	5	6	7	8	9	10	11	12	1	2	3	4	5	6	7	8	9	10	11	12	
12	1	2	3	4	5	6	7	8	9	10	11	12	1	2	3	4	5	6	7	8	9	10	11	12	243	
1	2	3	4	5	6	7	8	9	10	11	12	1	2	3	4	5	6	7	8	9	10	11	12			
00-15																										
15-30																										
30-45																										
45-00																										
HOUR																										
TOT																										

AM PEAK HOUR 0000 TO 0000 VOLUME 0
PM PEAK HOUR 0530 TO 0630 VOLUME 36
AM TOTAL 20
PM TOTAL 223

03/22/05	TUESDAY	AM HOURS												PM HOURS												DAILY TOTAL
		1	2	3	4	5	6	7	8	9	10	11	12	1	2	3	4	5	6	7	8	9	10	11	12	
12	1	2	3	4	5	6	7	8	9	10	11	12	1	2	3	4	5	6	7	8	9	10	11	12	433	
1	2	3	4	5	6	7	8	9	10	11	12	1	2	3	4	5	6	7	8	9	10	11	12			
00-15																										
15-30																										
30-45																										
45-00																										
HOUR																										
TOT																										

AM PEAK HOUR 0715 TO 0815 VOLUME 48
PM PEAK HOUR 0545 TO 0645 VOLUME 32
AM TOTAL 219
PM TOTAL 214

03/23/05	WEDNESDAY	AM HOURS												PM HOURS												DAILY TOTAL
		1	2	3	4	5	6	7	8	9	10	11	12	1	2	3	4	5	6	7	8	9	10	11	12	
12	1	2	3	4	5	6	7	8	9	10	11	12	1	2	3	4	5	6	7	8	9	10	11	12	477	
1	2	3	4	5	6	7	8	9	10	11	12	1	2	3	4	5	6	7	8	9	10	11	12			
00-15																										
15-30																										
30-45																										
45-00																										
HOUR																										
TOT																										

AM PEAK HOUR 0700 TO 0800 VOLUME 58
PM PEAK HOUR 0315 TO 0415 VOLUME 45
AM TOTAL 222
PM TOTAL 255

2 DAYS 03/21/05 THRU 03/23/05 TOTAL HOURS FOR COUNT 59
AVG WEEKDAY VOL 439 X SEASONAL ADJ. FACTOR 1.0000 = 439 X AXLE CORR FACTOR 1.0000 = ESTIMATED AVG DAILY TRAFFIC 439

SR 005 MP 016.80 OFF SYSTEM ID. A LEG W DIRECTION OF TRAFFIC BOTH WAYS LANE ALL OF
COUNT IDENTIFIER 05-006 COUNTER NUMBER 003423 DESCRIPTION: ON NW 319TH ST W/O NW 31ST AVE

03/21/05 MONDAY	AM HOURS												PM HOURS												DAILY TOTAL
12	1	2	3	4	5	6	7	8	9	10	11	12	1	2	3	4	5	6	7	8	9	10	11	12	34
1	2	3	4	5	6	7	8	9	10	11	12	1	2	3	4	5	6	7	8	9	10	11	12	516	
00-15																									
15-30																									
30-45																									
45-00																									
TOT																									550

AM PEAK HOUR 0000 TO 0000 VOLUME 0
PM PEAK HOUR 0530 TO 0630 VOLUME 72

03/22/05 TUESDAY	AM HOURS												PM HOURS												DAILY TOTAL
12	1	2	3	4	5	6	7	8	9	10	11	12	1	2	3	4	5	6	7	8	9	10	11	12	359
1	2	3	4	5	6	7	8	9	10	11	12	1	2	3	4	5	6	7	8	9	10	11	12	482	
00-15																									
15-30																									
30-45																									
45-00																									
TOT																									841

AM PEAK HOUR 1045 TO 1145 VOLUME 71
PM PEAK HOUR 0445 TO 0545 VOLUME 79

03/23/05 WEDNESDAY	AM HOURS												PM HOURS												DAILY TOTAL
12	1	2	3	4	5	6	7	8	9	10	11	12	1	2	3	4	5	6	7	8	9	10	11	12	360
1	2	3	4	5	6	7	8	9	10	11	12	1	2	3	4	5	6	7	8	9	10	11	12	542	
00-15																									
15-30																									
30-45																									
45-00																									
TOT																									902

03/21/05 THRU 03/23/05
TOTAL HOURS FOR COUNT 59

2 DAYS FACTOR GROUP
AVG WEEKDAY VOL 859 X SEASONAL ADJ. FACTOR 1.0000 = 859 X AXLE CORR FACTOR 1.0000 = ESTIMATED AVG DAILY TRAFFIC 859
PEAK HOUR PERCENTAGES: K = 10.59 D = 50.55
PEAK HOUR LOCATION: VOLUME = 91 DATE: 03/23/05 TIME: 03:15 PM