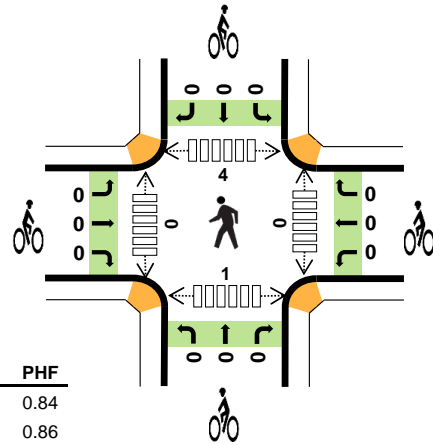
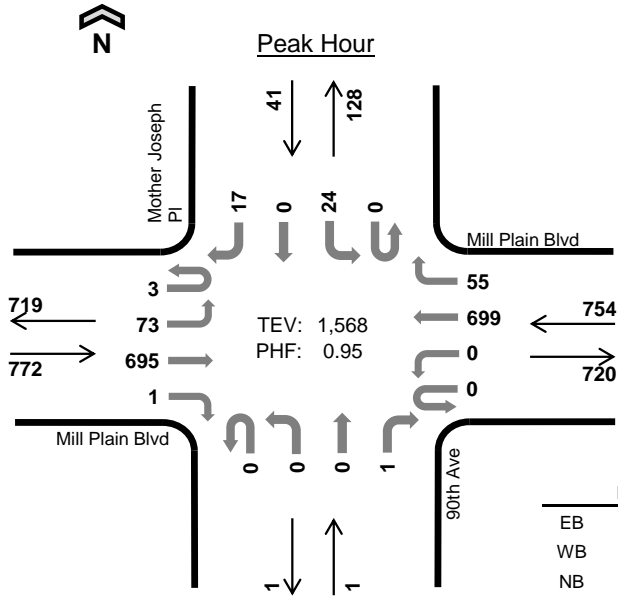


### 90th Ave Mill Plain Blvd



Date: Tue, Sep 21, 2021  
 Count Period: 7:00 AM to 9:00 AM  
 Peak Hour: 7:45 AM to 8:45 AM



	HV %:	PHF
EB	5.7%	0.84
WB	4.1%	0.86
NB	0.0%	0.25
SB	7.3%	0.73
TOTAL	5.0%	0.95

#### Two-Hour Count Summaries

Interval Start	Mill Plain Blvd Eastbound				Mill Plain Blvd Westbound				90th Ave Northbound				Mother Joseph PI Southbound				15-min Total	Rolling One Hour	
	UT	LT	TH	RT	UT	LT	TH	RT	UT	LT	TH	RT	UT	LT	TH	RT			
7:00 AM	1	22	105	0	0	0	131	8	0	0	0	0	0	4	0	5	276	0	
7:15 AM	0	16	118	1	0	0	146	14	0	0	0	0	0	11	0	3	309	0	
7:30 AM	1	18	160	0	0	0	191	10	0	0	0	2	0	4	0	5	391	0	
<b>7:45 AM</b>	<b>2</b>	<b>25</b>	<b>154</b>	<b>0</b>	<b>0</b>	<b>0</b>	<b>203</b>	<b>16</b>	<b>0</b>	<b>0</b>	<b>0</b>	<b>0</b>	<b>0</b>	<b>3</b>	<b>0</b>	<b>4</b>	<b>407</b>	<b>1,383</b>	
8:00 AM	0	20	125	0	0	0	172	20	0	0	0	1	0	3	0	6	347	1,454	
8:15 AM	1	16	213	0	0	0	155	7	0	0	0	0	0	9	0	2	403	1,548	
<b>8:30 AM</b>	<b>0</b>	<b>12</b>	<b>203</b>	<b>1</b>	<b>0</b>	<b>0</b>	<b>169</b>	<b>12</b>	<b>0</b>	<b>0</b>	<b>0</b>	<b>0</b>	<b>0</b>	<b>9</b>	<b>0</b>	<b>5</b>	<b>411</b>	<b>1,568</b>	
8:45 AM	1	15	193	1	0	0	162	10	0	0	0	0	0	6	0	6	394	1,555	
Count Total	6	144	1,271	3	0	0	1,329	97	0	0	0	3	0	49	0	36	2,938	0	
Peak Hour	All	3	73	695	1	0	0	699	55	0	0	0	1	0	24	0	17	1,568	0
	HV	0	2	42	0	0	0	29	2	0	0	0	0	0	3	0	0	78	0
	HV%	0%	3%	6%	0%	-	-	4%	4%	-	-	-	0%	-	13%	-	0%	5%	0

Note: Two-hour count summary volumes include heavy vehicles but exclude bicycles in overall count.

Interval Start	Heavy Vehicle Totals					Bicycles					Pedestrians (Crossing Leg)				
	EB	WB	NB	SB	Total	EB	WB	NB	SB	Total	East	West	North	South	Total
7:00 AM	3	2	0	0	5	0	0	0	0	0	0	0	1	0	1
7:15 AM	3	4	0	0	7	0	0	0	0	0	0	0	0	0	0
7:30 AM	11	5	0	1	17	0	0	0	0	0	0	0	0	0	0
<b>7:45 AM</b>	<b>13</b>	<b>6</b>	<b>0</b>	<b>1</b>	<b>20</b>	<b>0</b>	<b>0</b>	<b>0</b>	<b>0</b>	<b>0</b>	<b>0</b>	<b>0</b>	<b>3</b>	<b>1</b>	<b>4</b>
8:00 AM	6	8	0	0	14	0	0	0	0	0	0	0	1	0	1
8:15 AM	17	9	0	0	26	0	0	0	0	0	0	0	0	0	0
<b>8:30 AM</b>	<b>8</b>	<b>8</b>	<b>0</b>	<b>2</b>	<b>18</b>	<b>0</b>	<b>0</b>	<b>0</b>	<b>0</b>	<b>0</b>	<b>0</b>	<b>0</b>	<b>0</b>	<b>0</b>	<b>0</b>
8:45 AM	5	5	0	1	11	0	0	0	0	0	0	1	4	0	5
Count Total	66	47	0	5	118	0	0	0	0	0	0	1	9	1	11
Peak Hour	44	31	0	3	78	0	0	0	0	0	0	0	4	1	5

<b>Two-Hour Count Summaries - Heavy Vehicles</b>																		
Interval Start	Mill Plain Blvd				Mill Plain Blvd				90th Ave				Mother Joseph PI				15-min Total	Rolling One Hour
	Eastbound				Westbound				Northbound				Southbound					
	UT	LT	TH	RT	UT	LT	TH	RT	UT	LT	TH	RT	UT	LT	TH	RT		
7:00 AM	0	1	2	0	0	0	2	0	0	0	0	0	0	0	0	0	5	0
7:15 AM	0	0	3	0	0	0	4	0	0	0	0	0	0	0	0	0	7	0
7:30 AM	0	0	11	0	0	0	5	0	0	0	0	0	0	0	0	1	17	0
7:45 AM	0	1	12	0	0	0	5	1	0	0	0	0	0	0	1	0	20	49
8:00 AM	0	0	6	0	0	0	8	0	0	0	0	0	0	0	0	0	14	58
8:15 AM	0	1	16	0	0	0	9	0	0	0	0	0	0	0	0	0	26	77
8:30 AM	0	0	8	0	0	0	7	1	0	0	0	0	0	0	2	0	18	78
8:45 AM	0	0	5	0	0	0	5	0	0	0	0	0	0	0	1	0	11	69
Count Total	0	3	63	0	0	0	45	2	0	0	0	0	0	0	4	0	118	0
Peak Hour	0	2	42	0	0	0	29	2	0	0	0	0	0	0	3	0	78	0

<b>Two-Hour Count Summaries - Bikes</b>																	
Interval Start	Mill Plain Blvd			Mill Plain Blvd			90th Ave			Mother Joseph PI			15-min Total	Rolling One Hour			
	Eastbound			Westbound			Northbound			Southbound							
	LT	TH	RT	LT	TH	RT	LT	TH	RT	LT	TH	RT					
7:00 AM	0	0	0	0	0	0	0	0	0	0	0	0	0	0	0	0	0
7:15 AM	0	0	0	0	0	0	0	0	0	0	0	0	0	0	0	0	0
7:30 AM	0	0	0	0	0	0	0	0	0	0	0	0	0	0	0	0	0
7:45 AM	0	0	0	0	0	0	0	0	0	0	0	0	0	0	0	0	0
8:00 AM	0	0	0	0	0	0	0	0	0	0	0	0	0	0	0	0	0
8:15 AM	0	0	0	0	0	0	0	0	0	0	0	0	0	0	0	0	0
8:30 AM	0	0	0	0	0	0	0	0	0	0	0	0	0	0	0	0	0
8:45 AM	0	0	0	0	0	0	0	0	0	0	0	0	0	0	0	0	0
Count Total	0	0	0	0	0	0	0	0	0	0	0	0	0	0	0	0	0
Peak Hour	0	0	0	0	0	0	0	0	0	0	0	0	0	0	0	0	0

Note: U-Turn volumes for bikes are included in Left-Turn, if any.